

JUMO GmbH & Co. KG
 Delivery address: Mackenrodtstraße 14
 36039 Fulda, Germany
 Postal address: 36035 Fulda, Germany
 Phone: +49 661 6003-0
 Fax: +49 661 6003-607
 E-mail: mail@jumo.net
 Internet: www.jumo.net

JUMO Instrument Co. Ltd.
 JUMO House
 Temple Bank, Riverway
 Harlow, Essex CM20 2DY, UK
 Phone: +44 1279 635533
 Fax: +44 1279 635262
 E-mail: sales@jumo.co.uk
 Internet: www.jumo.co.uk

JUMO Process Control, Inc.
 6733 Myers Road
 East Syracuse, NY 13057, USA
 Phone: 315-437-5866
 1-800-554-5866
 Fax: 315-437-5860
 E-mail: info.us@jumo.net
 Internet: www.jumousa.com



Terminal heads and blocks

- For thermocouples and RTD temperature probes
- Terminal heads in different materials
- Protection IP54 and IP65
- Versions for lead sealing

Terminal heads (pages 1 to 4)

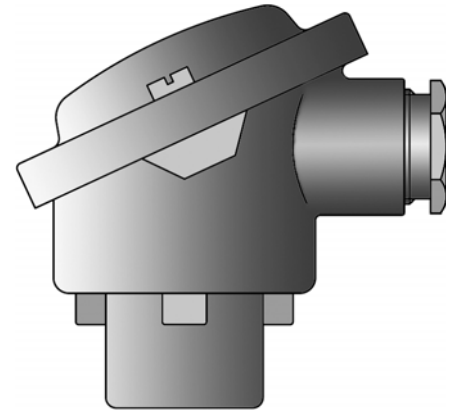
DIN EN 50446 specifies the terminal head forms A and B, which differ in size and also slightly in shape. The nominal diameter of the bore to take the protection tube is 22 mm or 32 mm for Form A, and 15 mm or thread M24 x 1.5 for Form B.

Either aluminium or plastic is used according to the application. Terminal head form B as per DIN is more widely used. The additional forms J, BBK, BUZ and BUZH are derived from the DIN form to meet particular requirements. These forms are suitable for installing a 2-wire transmitter.

Terminal blocks (page 5)

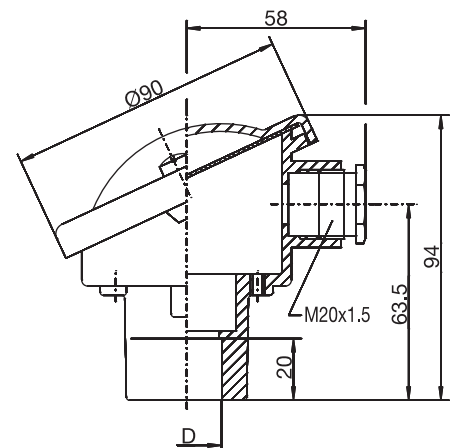
Suitable terminal blocks with two, four or six connections are available for the different terminal heads.

Note: please state part no. as per price sheet 909715 when ordering!



Terminal heads to DIN EN 50446, Form A IP54 protection

Diameter D in mm	Temperature in °C	Part no.
Terminal head Form A 22 aluminium die-casting		
22.8	-40 to +100	00387685 ●
Terminal head Form A 32		
32.5	-40 to +100	00387688 ●



Note: versions up to 200 °C on request

● available from stock

Item 1

JUMO GmbH & Co. KG

Delivery address: Mackenrodtstraße 14
36039 Fulda, Germany
Postal address: 36035 Fulda, Germany
Phone: +49 661 6003-0
Fax: +49 661 6003-607
E-mail: mail@jumo.net
Internet: www.jumo.net

JUMO Instrument Co. Ltd.

JUMO House
Temple Bank, Riverway
Harlow, Essex CM20 2DY, UK
Phone: +44 1279 635533
Fax: +44 1279 635262
E-mail: sales@jumo.co.uk
Internet: www.jumo.co.uk

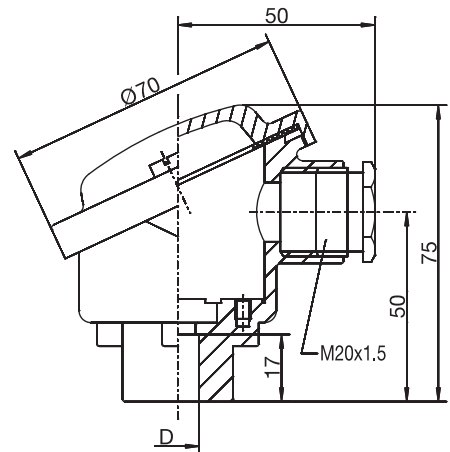
JUMO Process Control, Inc.

6733 Myers Road
East Syracuse, NY 13057, USA
Phone: 315-437-5866
1-800-554-5866
Fax: 315-437-5860
E-mail: info.us@jumo.net
Internet: www.jumousa.com



Terminal heads to DIN EN 50446, Form B IP65 protection

Diameter D	Temperature in °C	Part no.
Terminal head Form B 15 aluminium die-casting		
15.8	-40 to +100	00387712 ●
Terminal head Form B M24 x 1.5		
M24 x 1.5	-40 to +100	00387711 ●



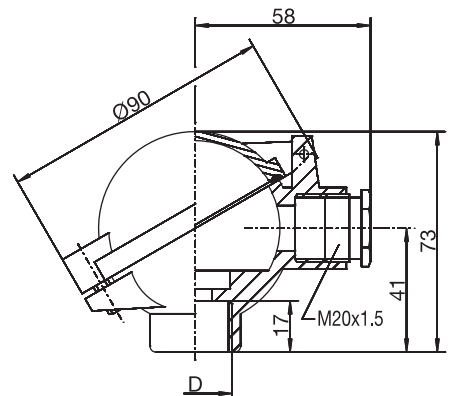
Note: versions up to 200 °C on request

● available from stock

Item 2

Terminal head similar to DIN EN 50446, Form B IP65 protection

Diameter D	Temperature in °C	Part no.
Terminal head Form BUZ M24 x 1.5 aluminium die-casting		
M24 x 1.5	-40 to +100	00387706 ●



● available from stock

Item 3

JUMO GmbH & Co. KG
 Delivery address: Mackenrodtstraße 14
 36039 Fulda, Germany
 Postal address: 36035 Fulda, Germany
 Phone: +49 661 6003-0
 Fax: +49 661 6003-607
 E-mail: mail@jumo.net
 Internet: www.jumo.net

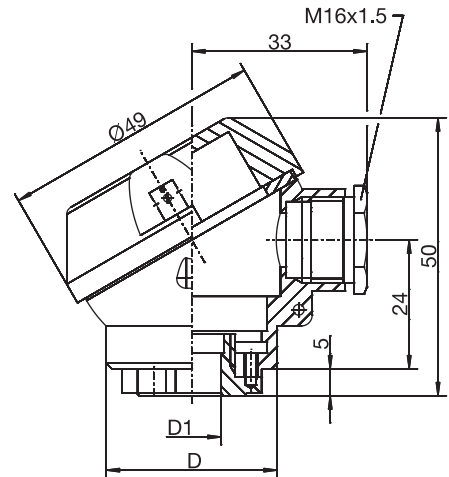
JUMO Instrument Co. Ltd.
 JUMO House
 Temple Bank, Riverway
 Harlow, Essex CM20 2DY, UK
 Phone: +44 1279 635533
 Fax: +44 1279 635262
 E-mail: sales@jumo.co.uk
 Internet: www.jumo.co.uk

JUMO Process Control, Inc.
 6733 Myers Road
 East Syracuse, NY 13057, USA
 Phone: 315-437-5866
 1-800-554-5866
 Fax: 315-437-5860
 E-mail: info.us@jumo.net
 Internet: www.jumousa.com



Terminal head suitable for lead sealing, JUMO version, Form J IP65 protection

Diameter D	D1	Temperature in °C	Part no.
Terminal head Form J aluminium die-casting			
32	M12 x 1	-40 to +100	00460595 ●



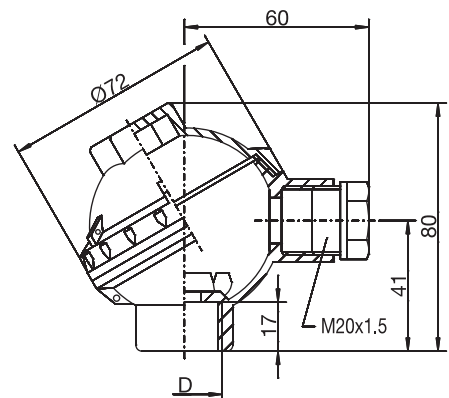
Note: versions up to 200 °C on request

● available from stock

Item 4

Terminal head similar to DIN EN 50446, Form B IP65 protection

Diameter D	Temperature in °C	Part no.
Terminal head Form BBK M24 x 1.5 PPO plastic		
M24 x 1.5	-30 to +130	00387689 ●



● available from stock

Item 5

JUMO GmbH & Co. KG
 Delivery address: Mackenrodtstraße 14
 36039 Fulda, Germany
 Postal address: 36035 Fulda, Germany
 Phone: +49 661 6003-0
 Fax: +49 661 6003-607
 E-mail: mail@jumo.net
 Internet: www.jumo.net

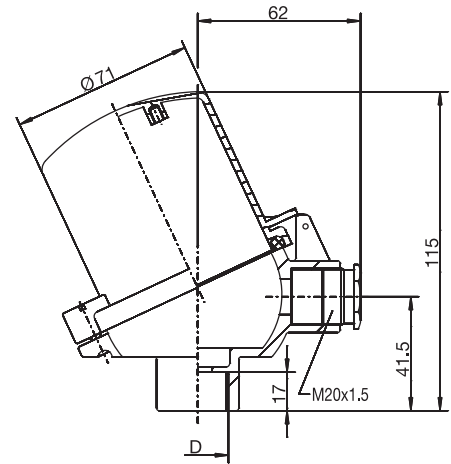
JUMO Instrument Co. Ltd.
 JUMO House
 Temple Bank, Riverway
 Harlow, Essex CM20 2DY, UK
 Phone: +44 1279 635533
 Fax: +44 1279 635262
 E-mail: sales@jumo.co.uk
 Internet: www.jumo.co.uk

JUMO Process Control, Inc.
 6733 Myers Road
 East Syracuse, NY 13057, USA
 Phone: 315-437-5866
 1-800-554-5866
 Fax: 315-437-5860
 E-mail: info.us@jumo.net
 Internet: www.jumousa.com



Terminal head, Form BUZH IP65 protection

Diameter D	Temperature in °C	Part no.
Terminal head Form BUZH aluminium die-casting with screw cover		
M24 x 1.5	-40 to +100	00387717 ●

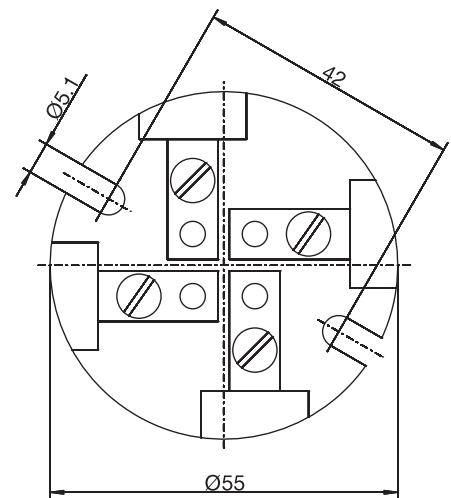


● available from stock

Item 6

Terminal blocks with screws and seal for terminal heads Form A

Number of terminals	Thermocouple	Part no.
Terminal blocks for thermocouples		
2	base metal	00014391 ●
4	base metal	00017043 ●
4	noble metal	00020749 ●



● available from stock

Item 7

JUMO GmbH & Co. KG
 Delivery address: Mackenrodtstraße 14
 36039 Fulda, Germany
 Postal address: 36035 Fulda, Germany
 Phone: +49 661 6003-0
 Fax: +49 661 6003-607
 E-mail: mail@jumo.net
 Internet: www.jumo.net

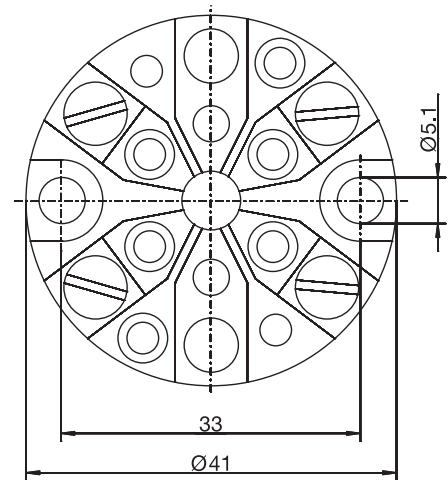
JUMO Instrument Co. Ltd.
 JUMO House
 Temple Bank, Riverway
 Harlow, Essex CM20 2DY, UK
 Phone: +44 1279 635533
 Fax: +44 1279 635262
 E-mail: sales@jumo.co.uk
 Internet: www.jumo.co.uk

JUMO Process Control, Inc.
 6733 Myers Road
 East Syracuse, NY 13057, USA
 Phone: 315-437-5866
 1-800-554-5866
 Fax: 315-437-5860
 E-mail: info.us@jumo.net
 Internet: www.jumousa.com



Terminal blocks for terminal heads Form B, BBK, BUZ and BUZH

Number of terminals	Part no.
Terminal block for thermocouples	
2	00015899 ●
4	00021673 ●
6	00015901 ●
Terminal block for RTD temperature probes	
2	00015888 ●
4	00015900 ●
6	00047370 ●



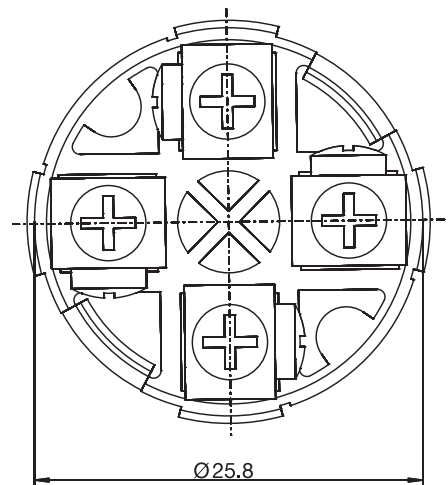
Note: screws and seals on request

● available from stock

Item 8

Terminal blocks for terminal heads Form J (Type of fastening: engaging)

Number of terminals	Part no.
Terminal blocks for thermocouples and RTD temperature probes	
2	00470579 ●
4	00470578 ●



Note: screws and seals on request

● available from stock

Item 9