



JUMO MarineTemp

Screw-in RTD temperature probe for marine applications. Temperature Range from -50 to +400 °C

- Available as 2-wire or 4-wire RTD temperature probes
- Terminal head form B or BUZ
- Available with transmitter
- With maritime type approval Bureau Veritas

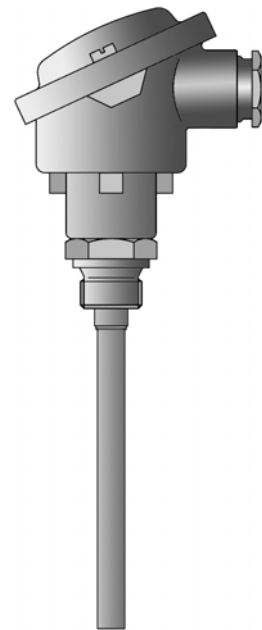
Brief description

Screw-in RTD temperature probes for standard applications are the preferred choice for measuring temperatures in liquids and gases. A decisive selection criterion is the reliable sealing feature of this installation type with vacuum and with overpressure. The application areas are, among others, in the air conditioning technology and refrigeration engineering as well as the HVAC and apparatus engineering sector.

The connection head is suitable for ambient temperatures up to 100 °C. In addition to the standard connection head form B, design BUZ is also available.

Normally fitted with a Pt100 temperature sensor according to DIN EN 60751, Class B in 2-wire circuit. Versions with Pt1000 temperature sensors can also be supplied along with 4-wire circuit connections. A transmitter can be optionally integrated into the connection head.

The RTD temperature probes are certified according to Bureau Veritas. Other (certified) transmitters can also be mounted upon customer request.



Basic type 902850/10

Technical data

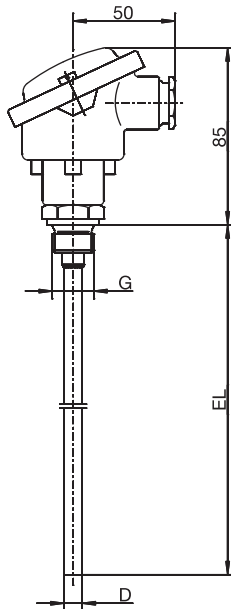
Terminal head	Form B DIN EN 50446, die-cast aluminum, M20 × 1.5; IP65, ambient temperature -40 to +100 °C Form BUZ, die-cast aluminum, M20 × 1.5; IP65, ambient temperature -40 to +100 °C. Reduced ambient temperature when using transmitters, data sheet 707050 or similar approved transmitter.
Process connection	Thread, stainless steel 1.4571
Sheath	Stainless steel 1.4571, Ø 6 mm, Ø 8 mm
Measuring insert	Pt100 or Pt1000 temperature sensor DIN EN 60751, cl. B, 2-wire or 4-wire circuit, permanently installed
Response times	t _{0,5} = 5 s, t _{0,9} = 14 s in water 0.4 m/s; Ø 6 mm
Transmitter	Programmable transmitter, output 4 to 20 mA or 20 to 4 mA, data sheet 707050 or similar approved transmitter.
Accessories	Protection pocket, data sheet 909710

Approvals/approval marks

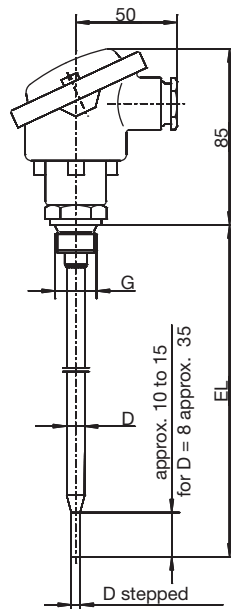




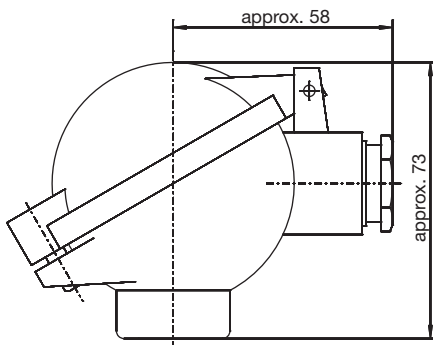
Dimensions



Basic type 902850/10



Basic type 902850/11



Terminal head Form BUZ
 Extra code 320

Approvals/approval marks

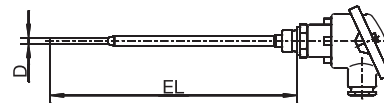
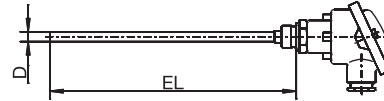
Approval mark	Testing agency	Certificate/certification number	Inspection basis	Valid for
BUREAU VERITAS	BUREAU VERITAS	47622/A0 BV	Rules for the Classification of Steel Ships Environmental Category, EC Code: 41	Basic type 902850/10 and 902850/11



Order details

(1) Basic type

902850/10	JUMO MarineTemp Screw-in RTD temperature probes with terminal head form B and with continuous protection pocket
902850/11	JUMO MarineTemp Screw-in RTD temperature probes with terminal head form B and stepped protection pocket (for Ø 6 mm to Ø 3.5 mm or for Ø 8 mm to Ø 6 mm)



(2) Operating temperature in °C

x x	380	-50 to +200 °C (standard)
x x	402	-50 to +400 °C

(3) Measuring insert

x x	1003	1× Pt100 in 2-wire circuit
x x	1011	1× Pt100 in 4-wire circuit

(4) Tolerance class according to DIN EN 60751

x x	1	Class B (standard)
x x	2	Class A
x x	3	Class AA

(5) Sheath diameter D in mm

x x	6	Ø 6 mm
x x	8	Ø 8 mm

(6) Fitting length EL in mm (EL 50 to 200 mm)

x	50	50 mm
x x	100	100 mm
x x	150	150 mm
x x	200	200 mm
x x	...	Please specify in plain text in mm (max. 200 mm)

(7) Process connection

x x	102	Screw connection G 1/4
x x	103	Screw connection G 3/8
x x	104	Screw connection G 1/2
x x	126	Screw connection M18 × 1.5
x x	128	Screw connection M20 × 1.5
x x	144	Screw connection (thread) 1/2-14NPT (EL = EL - thread)

JUMO GmbH & Co. KG

Delivery address: Mackenrodtstraße 14,
 36039 Fulda, Germany
 Postal address: 36035 Fulda, Germany
 Phone: +49 661 6003-0
 Fax: +49 661 6003-607
 Email: mail@jumo.net
 Internet: www.jumo.net

JUMO Mät- och Reglerteknik AB

Lilla Garnisonsgatan 33
 25467 Helsingborg, Sweden
 Phone: +46 42 38 62 80
 Email: info.se@jumo.net
 Internet: www.jumo.se



		(8) Extra codes	
x	x	000	None
x	x	320	Terminal head Form BUZ
x	x	550	1× transmitter, analog output 4 to 20 mA, data sheet 707050
x	x	999	Specify other approved transmitter, Bureau Veritas

Order code - - - - - - / , ...^a

Order example 902850/10 - 380 - 1003 - 1 - 6 - 100 - 104 / 000

^a State extra codes one after another, separated by commas.