



# JUMO di eco Digital Indicator

76mm x 36mm format

## Brief description

The JUMO di eco compact digital indicator is used for the simple visualization of temperatures or standard signals. The measurement input permits the connection of resistance thermometers or thermocouples, or standard current or voltage signals. The measured value is shown on a 3-digit backlit display.

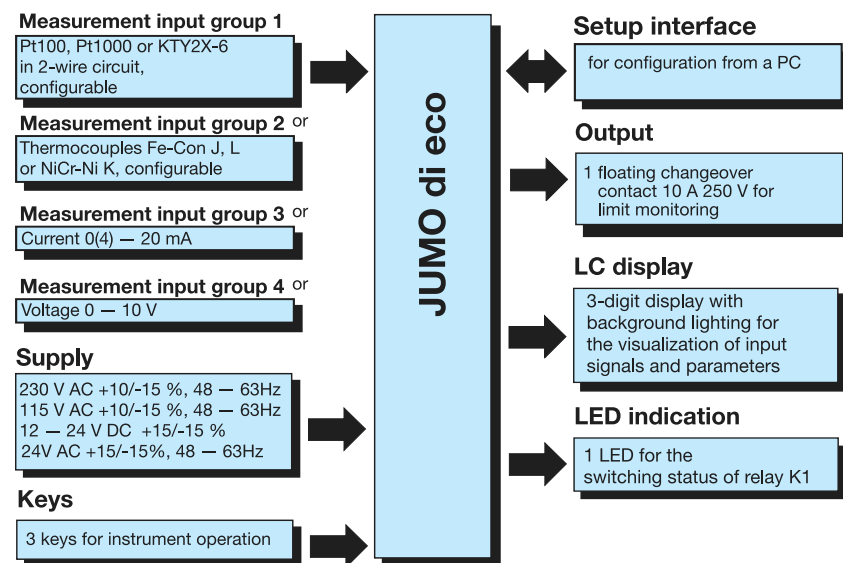
Limit infringements are monitored by means of a 10A relay (changeover contact) and indicated by an LED.

The 3 keys on the front panel can be used to configure, among others, the switching hysteresis and alarm suppression.

The electrical connection is made via screw terminals on the back of the instrument.

A setup program and a PC interface are available as accessories, for simple configuration and parameterization from a PC.

## Block structure



Type 701540/...

## Key features

- Limit monitoring
- Available for resistance thermometer, thermocouple, standard current or voltage signals, according to choice
- 10A relay (changeover contact)
- Adjustable switching hysteresis
- Programmable switch-on delay after power-on
- Configurable alarm suppression
- Symbols in display for temperature unit, minutes and seconds
- Parameter level protected by code
- Setup program for configuration and archiving via PC
- Customized linearization via tabular function in the setup program
- UL approval

## Displays and controls

<b>LC display</b>	3-digit segment display, 13 mm high, and symbols for temperature unit, h, min and s, with red background lighting
<b>Status indication</b>	LED K1 flashes during alarm suppression LED K1 lights up when limits are infringed, or on a probe error
<b>Keys</b>	<p>Ⓟ programming</p> <p>▲ increase parameter value</p> <p>▼ decrease parameter value</p> <p>Ⓟ + ▲ version display</p> <p>Ⓟ + ▼ exit, jump to basic status (temperature indication)</p>
<b>Setup interface</b>	The instrument is linked to the PC via a PC interface with TTL/RS232 converter and adapter (3-pin).



## Technical data

Measurement input	Designation	Measuring range	Meas. accuracy <sup>1</sup> / ambient temperature error	Recognition of ...	
				Probe short-circuit	Probe break
Resistance thermometer	Pt100 EN 60 751	-200 to +600 °C	0.1%/ ≤100ppm/°C	is recognized	is recognized
	Pt1000 EN 60 751	-200 to +600 °C	0.1%/ ≤100ppm/°C	is recognized	is recognized
	KTY2X-6 (PTC)	-50 to +150 °C	1%/ ≤100ppm/°C	is recognized	is recognized
	Resistance 0 — 3000 Ω	customer table <sup>3</sup>	0.1%/ ≤100ppm/°C <sup>3</sup>	= 0Ω	is recognized
Measuring current for Pt100: 0.2 mA, for Pt1000, KTY2X-6 and resistance: 0.02 mA					
Lead compensation is adjustable via the parameter Lead compensation resistance $\Delta F_r$ The total resistance (sensor+lead) must not exceed 320Ω for Pt100 and 3200Ω for Pt1000, KTY2X-6 or resistance.					
Thermocouple	Fe-Con J EN 60 584	-200 to +999 °C	0.4%/ ≤100ppm/°C <sup>2</sup>	-	is recognized
	Fe-Con L DIN 43 710	-200 to +900 °C	0.4%/ ≤100ppm/°C <sup>2</sup>	-	is recognized
	NiCr-Ni K EN 60 584	-200 to +999 °C	0.4%/ ≤100ppm/°C <sup>2</sup>	-	is recognized
	-10 to 60 mV	customer table <sup>3</sup>	0.1%/ ≤100ppm/°C <sup>3</sup>	-	is recognized
For the voltage input (-10 to 60 mV), terminal temperature compensation can be used for thermocouples. Internal terminal temperature compensation can be switched off via the setup program (0°C).					
Current	0 — 20 mA	-2 to 22 mA scalable with $\Delta_{cL}$ and $\Delta_{cH}$ or customer table	0.1%/ ≤100ppm/°C <sup>3</sup>	-	-
	4 — 20 mA	2.4 to 21.6 mA scalable with $\Delta_{cL}$ and $\Delta_{cH}$	0.1%/ ≤100ppm/°C <sup>3</sup>	is recognized	is recognized
Input resistance $R_{IN} \leq 3\Omega$					
Voltage	0 — 10 V	-1 to 11 V scalable with $\Delta_{cL}$ and $\Delta_{cH}$ or customer table	0.1%/ ≤100ppm/°C	-	-
Input resistance $R_{IN} \geq 100k\Omega$					
1.) The accuracies refer to the measuring range span. 2.) valid from -50°C 3.) A valid customer table must be entered via the setup program and switched over to $\Delta_{Ab}$ in the instrument. This may reduce the measuring accuracy.					

## Additional data

Sampling time	250 msec
Input filter	1st order digital filter; filter constant $\Delta F$ adjustable from 0.1 — 99.9sec
Measurement offset	adjustable from -99.9 to +99.9 via the parameter $\Delta F_L$
Special features	display of temperature unit: °C, °F (Fahrenheit) or switched off
Customer table	The setup program acquires a maximum of 20 value pairs and uses them for the linear interpolation of 20 new calibration points.

## Ambient conditions

Ambient temperature range	0 to +55 °C
Ambient temperature range with side-by-side mounting	0 to +40 °C
Storage temperature range	-40 to +70 °C
Temperature drift	≤100ppm/°C of measuring range
Climatic conditions	≤75 % rel. humidity, no condensation
Cleaning and care of front panel	The front panel can be cleaned with all the usual cleaning and rinsing agents. Do not use solvents such as methylated spirit, white spirit, P1 or xylene!

## Output

Relay	150,000 operations at 10A 250V AC 50Hz resistive load
-------	---

## Supply

Supply voltage	230V AC +10/-15 %, 48 — 63Hz or 115V AC +10/-15 %, 48 — 63Hz (isolated from measurement input)
	12 — 24V DC +15/-15 %, 24V AC +15/-15 %, 48 — 63Hz (not isolated from measurement input)
Power consumption	<3VA

**Housing**

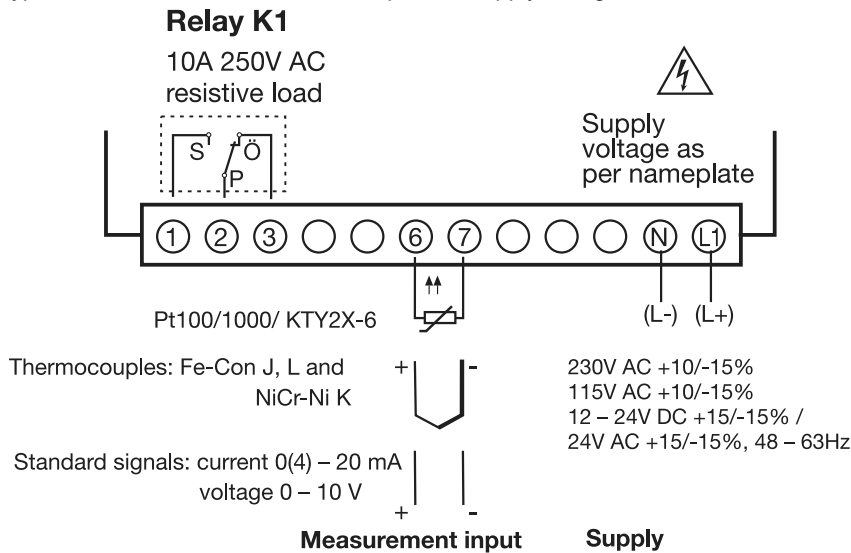
Material	polycarbonate
Mounting	in panel cut-out with bezel seal
Operating position	unrestricted
Weight	approx. 160g
Protection	front IP65, rear IP20
Flammability class	UL 94 V0

**Electrical data**

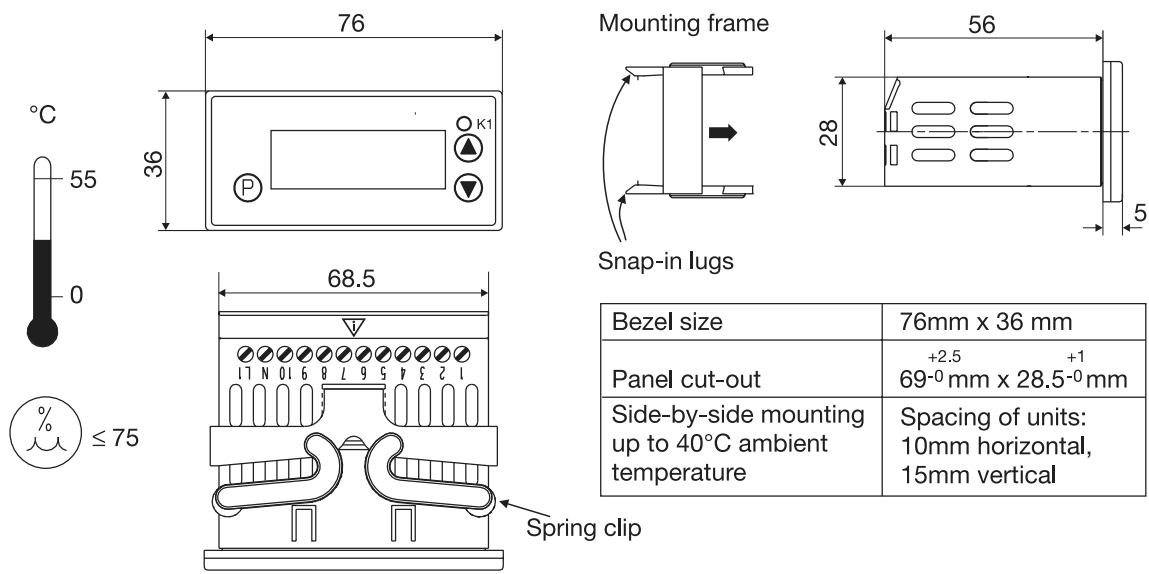
Data backup	EEPROM
Connection	via screw terminals for wire cross-sections up to 4 mm <sup>2</sup> solid wire and 2.5 mm <sup>2</sup> stranded wire
EMC - interference emission - immunity to interference	EN 61 326 Class B to industrial requirements
Operating conditions	The instrument is designed as a panel-mounting unit.
Electrical safety	to EN 61 010, Part 1 overvoltage category III, pollution degree 2

**Connection diagram**

Type 701540/XX1-31: Measurement input and supply voltage are not isolated from each other!



**Dimensions**



# Order details

- 701540/
- (1) Basic version  
JUMO di eco
  - (2) Basic type extension  
Version
  - 8 factory-set, configurable within the measurement input group
  - 9 configured to customer specifications  
**Measurement input group<sup>1</sup>**
  - 1 Pt100 in 2-wire circuit  
Pt1000 in 2-wire circuit
  - 2 KTY2X-6  
Fe-Con J  
Fe-Con L  
NiCr-Ni K
  - 3 0 – 20 mA  
4 – 20 mA
  - 4 0 – 10 V
  - 1 1 relay (changeover contact 10A 250V)
  - (3) Supply
  - 02 230V AC +10/-15% 48 – 63Hz
  - 05 115V AC +10/-15% 48 – 63Hz
  - 31 12 – 24V DC +15/-15% /  
24V AC +15/-15% 48 – 63Hz
  - (4) Approvals
  - 000 none
  - 061 Underwriters Laboratories Inc. (UL)

	(1)	(2)	(3)	(4)
Order code				
Order example	701540	/ 811	- 02	- 000

factory-set

1.) It is not possible to switch from one meas. input group to another

## Standard accessories

- 1 Operating Manual B 70.1540.0
- 1 mounting frame
- 1 bezel seal

## Accessories

Setup program, multilingual  
PC interface with TTL / RS232C converter and adapter (pins)

Suitable transducers can be found in these data sheets:

- 90.2005 Push-in resistance thermometers
- 90.2105 Screw-in resistance thermometers
- 90.1002 and subsequent ones for screw-in thermocouples
- 90.1101 and subsequent ones for push-in thermocouples
- 90.1221 Mineral-insulated thermocouples

The image shows two technical data sheets for JUMO resistance thermometers. The top sheet is for a screw-in type (Einschraub-Widerstandsthermometer) and the bottom sheet is for a plug-in type with a lead wire (Einsteck-Widerstandsthermometer mit Anschlussleitung). Both sheets include technical specifications, dimensions, and a photograph of the device. The top sheet also includes a photograph of the device with a lead wire.