

**JUMO GmbH & Co. KG**  
Delivery address: Mackenrodtstraße 14  
36039 Fulda, Germany  
Postal address: 36035 Fulda, Germany  
Phone: +49 661 6003-0  
Fax: +49 661 6003-607  
Email: mail@jumo.net  
Internet: www.jumo.net

**JUMO Instrument Co. Ltd.**  
JUMO House  
Temple Bank, Riverway  
Harlow, Essex, CM20 2DY, UK  
Phone: +44 1279 63 55 33  
Fax: +44 1279 62 50 29  
Email: sales@jumo.co.uk  
Internet: www.jumo.co.uk

**JUMO Process Control, Inc.**  
6724 Joy Road  
East Syracuse, NY 13057, USA  
Phone: +1 315 437 5866  
Fax: +1 315 437 5860  
Email: info.us@jumo.net  
Internet: www.jumousa.com



# Surface-mounting double thermostat ATH

## Particularities

- Self-monitoring (STB/STW [STB]) and Safety cut-out (STB/STW [STB]) in the event of a pressure drop
- Version according to DIN EN 14597 and to Pressure Equipment Directive 2014/68/EU
- Protection type IP54
- Measuring range -50<sup>1</sup> to +500 °C

## Brief description

Thermostats are used to control and monitor thermal processes. ATH surface-mounting double thermostats consist of two separate measuring and switching systems.

The devices are available as temperature controllers TR, temperature monitors TW, safety temperature monitors STW (STB) and safety temperature limiters STB. In the event of a malfunction, the STB switches the monitored machine line to an operationally safe status.

Surface-mounting double thermostats operate according to the fluid expansion principle, a microswitch serves as an electrical switching element.

## Switching function

### Temperature controller TR and temperature monitor TW

If the temperature on the temperature probe exceeds the setpoint value, the electrical circuit is opened or closed by a microswitch. If the temperature falls below the selected setpoint value (by the switching differential), the microswitch is reset to its initial position..

### Restart lock at safety temperature limiter STB

If the temperature at the temperature sensor exceeds the set limit value, the electrical circuit is opened and the microswitch is mechanically locked. After falling below the limit value by approx. 10 % of the temperature range (approx. 15 % of the limit value setting > +350 °C), the switch can be unlocked manually.

### Use of the safety temperature monitor STW (STB) as safety temperature limiter STB

In this case, the circuit following the thermostat must comply with DIN EN 14597 and VDE 0116.

### Self-monitoring for safety temperature limiter STB and safety temperature monitor STW (STB)

If the measuring system is destroyed (i.e. if the expansion fluid escapes) the pressure in the membrane of the STB and STW (STB) drops and permanently opens the electrical circuit. Unlocking is then no longer possible. When the STW (STB) and STB sensors cools down to the negative temperature range, the circuit opens, but must be manually unlocked by the reclosing button when the temperature rises. The STW (STB) automatically restarts.



ATHs-12 (Type 603026/0102-1-...)



ATHf-170 (Type 603026/0170-2-...)

<sup>1</sup> upon request

## Approvals and approval marks (see Technical Data)



**JUMO GmbH & Co. KG**  
 Delivery address: Mackenrodtstraße 14  
 36039 Fulda, Germany  
 Postal address: 36035 Fulda, Germany  
 Phone: +49 661 6003-0  
 Fax: +49 661 6003-607  
 Email: mail@jumo.net  
 Internet: www.jumo.net

**JUMO Instrument Co. Ltd.**  
 JUMO House  
 Temple Bank, Riverway  
 Harlow, Essex, CM20 2DY, UK  
 Phone: +44 1279 63 55 33  
 Fax: +44 1279 62 50 29  
 Email: sales@jumo.co.uk  
 Internet: www.jumo.co.uk

**JUMO Process Control, Inc.**  
 6724 Joy Road  
 East Syracuse, NY 13057, USA  
 Phone: +1 315 437 5866  
 Fax: +1 315 437 5860  
 Email: info.us@jumo.net  
 Internet: www.jumousa.com



## Technical data

### Control ranges and temperature probes

Switching function	Fluid-filled			
	Control/limit value ranges °C	Max. admissible probe temperature °C	Max. capillary length mm	Probe length, dimension "L" Probe Ø "d" = 6 mm <sup>a</sup> mm
TR, TW	-20 to +50	60	5,000	141
	-10 to +40	50		185
	0 to 50	60		185
	0 to 100	125		107
	20 to 90	115		138
	20 to 120	140		106
	20 to 150	175		88
	30 to 110	135		125
	50 to 200	230		101
	50 to 250	290		73
	50 to 300	345		63
	50 to 350	405		53
STW (STB) and STB	60 to 130	150	5,000	135
	20 to 150	175		77
	30 to 110	135		108
	50 to 250	290		64
	50 to 300	345		55
	60 to 130	150		116

Switching function	Gas-filled			
	Control/limit value ranges °C	Max. admissible probe temperature °C	Max. capillary length mm	Probe length, dimension "L" Probe Ø "d" = 6 mm <sup>a</sup> mm
TR, TW	20 to 400	460	1,000	278
	20 to 500	575	2,000	148
	20 to 500	575	4,000	202
STW (STB) and STB	20 to 400	460	1,000	176
	20 to 500	575	2,000	127
	20 to 500	575	4,000	202

<sup>a</sup> Standard

### Capillary and temperature probe

Type	Scale limit value	Capillary	Temperature probe
ATH-..	up to 200 °C	Copper (Cu), Ø 1.5mm, material no. Cu-DHP	Copper (Cu), material no. Cu-DHP, hard soldered
	up to 350 °C	Copper (Cu), Ø 1.5mm material no. Cu-DHP	Stainless steel (CrNi), material no. 1.4571, hard soldered
	up to 500 °C	Stainless steel (CrNi), Ø 1.5mm	Stainless steel (CrNi), material no. 1.4571, welded
	up to 350 °C	Stainless steel (CrNi), Ø 1.5mm	Stainless steel (CrNi), material no. 1.4571, welded (extra cost)
Capillary length	1,000 mm, max. 5,000 mm as standard		
Minimum bending radius of capillary	5 mm		

**JUMO GmbH & Co. KG**  
 Delivery address: Mackenrodtstraße 14  
 36039 Fulda, Germany  
 Postal address: 36035 Fulda, Germany  
 Phone: +49 661 6003-0  
 Fax: +49 661 6003-607  
 Email: mail@jumo.net  
 Internet: www.jumo.net

**JUMO Instrument Co. Ltd.**  
 JUMO House  
 Temple Bank, Riverway  
 Harlow, Essex, CM20 2DY, UK  
 Phone: +44 1279 63 55 33  
 Fax: +44 1279 62 50 29  
 Email: sales@jumo.co.uk  
 Internet: www.jumo.co.uk

**JUMO Process Control, Inc.**  
 6724 Joy Road  
 East Syracuse, NY 13057, USA  
 Phone: +1 315 437 5866  
 Fax: +1 315 437 5860  
 Email: info.us@jumo.net  
 Internet: www.jumousa.com



## Electrical data

Switching function	TR, TW, STW (STB) Microswitch with changeover contact	STB (-70) Microswitch with NC contact and restart lock	STB (-70/574) Microswitch with NC contact, restart lock and additional signal contact
Max. contact rating with switching differential 1.5 % and 2 %	AC 230 V +10 %, 10 (2) <sup>a</sup> A, cos φ = 1 (0.6) <sup>a</sup> , DC 230 V +10 %, 0.25 A AC 230 V +10 %, 6 (1.2) <sup>a</sup> A, cos φ = 1 (0.6) <sup>a</sup>   -   - Microswitch with gold-plated contacts, extra code 702 (only with switching differential 3 %, 5 %, and 7 %), AC/DC 24 V, 0.1 A, contact resistance 2.5 to 10 mΩ		
Contact reliability with silver contacts with gold-plated contacts (extra code 702)	To ensure high switching reliability, we recommend a minimum load of: AC/DC = 24 V, 100 mA AC/DC = 10 V, 5 mA		

<sup>a</sup> inductive load

## Environmental influences

Switching difference in % of the control/limit value range	Rated value	Poss. actual value	Rated value	Poss. actual value	
	Fluid-filled		Gas-filled		
Switching function TR, TW	3	3 max. 4	5	4 max. 8	standard upon request extra cost
	6	6 max. 8	9	8 max. 12	
	1.5	1 max. 2	2	1.5 max. 2.5	
Switching function STW (STB)	Fluid-filled		Gas-filled		standard upon request extra cost
	5	4 max. 6	7	5 max. 12	
	9	8 max. 11	9	8 max. 16	
	2	1 max. 3	2	1.5 max. 3	
Switching point accuracy in % of the control/limit value range					
Switching function TR, TW	In the upper third of the scale ± 1.5 %, at scale beginning ± 6 %				
Switching function STB, STW (STB)	In the upper third of the scale +0/-5 %, at scale beginning +0/-10 %				

Ambient temperature influence	Based on the control/limit value range When the ambient temperature on the case deviates from the calibration ambient temperature 22 °C, a switch point offset occurs. Higher ambient temperatures = lower switching point Lower ambient temperature = higher switching point					
Surface-mounted double thermostat with scale limit value Switching function	< 200 °C		+ 200 °C ≤ 350 °C		> 350 °C ≤ 500 °C	
	TR/TW	STB/STW (STB)	TR/TW	STB/STW (STB)	TR/TW	STB/STW (STB)
	Influence on the switch head	0.08 %/K	0.17 %/K	0.06 %/K	0.13 %/K	0.14 %/K
Influence on the capillary per metre	0.047 %/K	0.054 %/K	0.09 %/K	0.11 %/K	0.04 %/K	0.03 %/K
Admissible storage temperature	-50 to +80 °C or up to max. permissible ambient temperature (see nameplate)					
Admissible ambient temperature during use	See nameplate					
Rated position	Ss per DIN 16257, NL 0 to NL 90 (different rated positions (NL) on request)					

**JUMO GmbH & Co. KG**  
 Delivery address: Mackenrodtstraße 14  
 36039 Fulda, Germany  
 Postal address: 36035 Fulda, Germany  
 Phone: +49 661 6003-0  
 Fax: +49 661 6003-607  
 Email: mail@jumo.net  
 Internet: www.jumo.net

**JUMO Instrument Co. Ltd.**  
 JUMO House  
 Temple Bank, Riverway  
 Harlow, Essex, CM20 2DY, UK  
 Phone: +44 1279 63 55 33  
 Fax: +44 1279 62 50 29  
 Email: sales@jumo.co.uk  
 Internet: www.jumo.co.uk

**JUMO Process Control, Inc.**  
 6724 Joy Road  
 East Syracuse, NY 13057, USA  
 Phone: +1 315 437 5866  
 Fax: +1 315 437 5860  
 Email: info.us@jumo.net  
 Internet: www.jumousa.com



## Housing

Material	
Case lid	Polycarbonate, shock resistant, color: pebble gray RAL 7032; Extra code "701": aluminium die casting, painted, color: pebble gray RAL 7032
Case bottom section	Aluminum die casting, painted, color: anthracite-gray RAL 7015
Set point value setting	
Switching function TR	Switching point adjustable from the outside using the rotary knob
Switching function TW, TB, STB, STW (STB)	Switching point can be adjusted with a screwdriver once the case lid has been removed.
Protection type	IP54 according to DIN EN 60529
Cable inlet	Self-sealing grommet M20 × 1.5, sealing range 8 to 10 mm (standard)
Weight	Approx. 800 g
Switch head fastening	
Type ATHf with capillary	
Standard	Screw connection by means of counter nut M18 × 1 on the case stud, capillary outlet on the case stud
Extra code 248	Wall stands
Extra code 711	With 2 screws through the case bottom part, lateral capillary outlet on the case, lid and bottom part made of plastic
Extra code 746	Fastening flange made of steel sheet, capillary outlet on the case stud

## Process connection

Type ATHs with rigid shaft	
Scale limit value up to 150 °C	Process connection 20: Screw-in sleeve with screw-in spigot G 1/2", form A, as per DIN 3852/2
Scale limit value exceeding 150 °C	Process connection 30: Screw-in sleeve with screw-in spigot G 1/2", form A, as per DIN 3852/2, and intermediate piece, to ensure that the max. admissible ambient temperature is not exceeded on the case
Type ATHf with capillary	
	Process connection 10: Plain cylindrical probe (standard) Process connection 20: Screw-in thermowell (upon request) Screw-in sleeve with screw-in spigot G 1/2", form A, as per DIN 3852/2, and clamping piece with fixing screw to lock the probe
Material	
Process connection 20	
Up to 150 °C	CuZn (standard)
Exceeding 150 °C	CrNi
Process connection 30	
Exceeding 150 °C	CrNi (standard)
Fitting length	Standard lengths: 100, 120, 150, 200 or 300 mm (different lengths upon request)
Immersion tube Ø	D = 15 mm

⇒ For different process connections and thermowells refer to data sheet 606710.

**JUMO GmbH & Co. KG**  
 Delivery address: Mackenrodtstraße 14  
 36039 Fulda, Germany  
 Postal address: 36035 Fulda, Germany  
 Phone: +49 661 6003-0  
 Fax: +49 661 6003-607  
 Email: mail@jumo.net  
 Internet: www.jumo.net

**JUMO Instrument Co. Ltd.**  
 JUMO House  
 Temple Bank, Riverway  
 Harlow, Essex, CM20 2DY, UK  
 Phone: +44 1279 63 55 33  
 Fax: +44 1279 62 50 29  
 Email: sales@jumo.co.uk  
 Internet: www.jumo.co.uk

**JUMO Process Control, Inc.**  
 6724 Joy Road  
 East Syracuse, NY 13057, USA  
 Phone: +1 315 437 5866  
 Fax: +1 315 437 5860  
 Email: info.us@jumo.net  
 Internet: www.jumousa.com



## Approvals and approval marks

DIN Testing agency Certificates/certification number Inspection basis Valid for	DIN CERTCO/TÜV Süd TR/TR896 DIN EN 14597 ATH.-11 (Type 603026/0101 [TR/TR])
DIN Testing agency Certificates/certification number Inspection basis Valid for	DIN CERTCO/TÜV Süd TR/TW897 DIN EN 14597 ATH.-12 (Type 603026/0102 [TR/TW])
DIN Testing agency Certificates/certification number Inspection basis Valid for	DIN CERTCO/TÜV Süd TW/TW901 DIN EN 14597 ATH.-22 (Type 603026/0202 [TW/TW])
DIN Testing agency Certificates/certification number Inspection basis Valid for	DIN CERTCO/TÜV Süd TR/STW(STB)899S DIN EN 14597 ATH.-120 (Type 603026/0120 [TR/STW (STB)])
DIN Testing agency Certificates/certification number Inspection basis Valid for	DIN CERTCO/TÜV Süd TR/STB900 DIN EN 14597 ATH.-170 (Type 603026/0170 [TR/STB])
DIN Testing agency Certificates/certification number Inspection basis Valid for	DIN CERTCO/TÜV Süd TW/STW(STB)903S DIN EN 14597 ATH.-220 (Type 603026/0220 [TW/STW (STB)])
DIN Testing agency Certificates/certification number Inspection basis Valid for	DIN CERTCO/TÜV Süd TW/STB904 DIN EN 14597 ATH.-270 (Type 603026/0270 [TW/STB])
DIN Testing agency Certificates/certification number Inspection basis Valid for	DIN CERTCO/TÜV Süd 2xSTW(STB)905S DIN EN 14597 ATH.-2020 (Type 603026/2020 [STW (STB)/STW (STB)])
DIN Testing agency Certificates/certification number Inspection basis Valid for	DIN CERTCO/TÜV Süd STW(STB)/STB906S DIN EN 14597 ATH.-2070 (Type 603026/2070 [STW (STB)/STB])
DIN Testing agency Certificates/certification number Inspection basis Valid for	DIN CERTCO/TÜV Süd STB/STB907 DIN EN 14597 ATH.-7070 (Type 603026/7070 [STB/STB])

**JUMO GmbH & Co. KG**  
 Delivery address: Mackenrodtstraße 14  
 36039 Fulda, Germany  
 Postal address: 36035 Fulda, Germany  
 Phone: +49 661 6003-0  
 Fax: +49 661 6003-607  
 Email: mail@jumo.net  
 Internet: www.jumo.net

**JUMO Instrument Co. Ltd.**  
 JUMO House  
 Temple Bank, Riverway  
 Harlow, Essex, CM20 2DY, UK  
 Phone: +44 1279 63 55 33  
 Fax: +44 1279 62 50 29  
 Email: sales@jumo.co.uk  
 Internet: www.jumo.co.uk

**JUMO Process Control, Inc.**  
 6724 Joy Road  
 East Syracuse, NY 13057, USA  
 Phone: +1 315 437 5866  
 Fax: +1 315 437 5860  
 Email: info.us@jumo.net  
 Internet: www.jumousa.com



<p>DGRL</p> <p>Testing agency</p> <p>Certificates/certification number</p> <p>Inspection basis</p> <p>Valid for</p>	<p>TÜV Süd</p> <p>Z-IS-TAF-MUC-17-11-2652099-021</p> <p>2014/68/EU, DIN EN 14597</p> <p>ATH.-120 (Type 603026/0120 [TR/STW (STB)]),          ATH.-170 (Type 603026/0170 [TR/STB]),          ATH.-220 (Type 603026/0220 [TW/STW (STB)]),          ATH.-270 (Type 603026/0270 [TW/STB]),          ATH.-2020 (Type 603026/2020 [STW (STB)/STW (STB)]),          ATH.-2070 (Type 603026/2070 [STW (STB)/STB]),          ATH.-7070 (Type 603026/7070 [STB/STB])</p>
<p>EAC<sup>a</sup></p> <p>Testing agency</p> <p>Certificates/certification number</p> <p>Inspection basis</p> <p>Valid for</p>	<p>GOST Norm AG</p> <p>0198420</p> <p>TR ZU 004/2011 (LVD)</p> <p>ATH (Type 603026)</p>

<sup>a</sup> Russian documentation upon request

**JUMO GmbH & Co. KG**  
 Delivery address: Mackenrodtstraße 14  
 36039 Fulda, Germany  
 Postal address: 36035 Fulda, Germany  
 Phone: +49 661 6003-0  
 Fax: +49 661 6003-607  
 Email: mail@jumo.net  
 Internet: www.jumo.net

**JUMO Instrument Co. Ltd.**  
 JUMO House  
 Temple Bank, Riverway  
 Harlow, Essex, CM20 2DY, UK  
 Phone: +44 1279 63 55 33  
 Fax: +44 1279 62 50 29  
 Email: sales@jumo.co.uk  
 Internet: www.jumo.co.uk

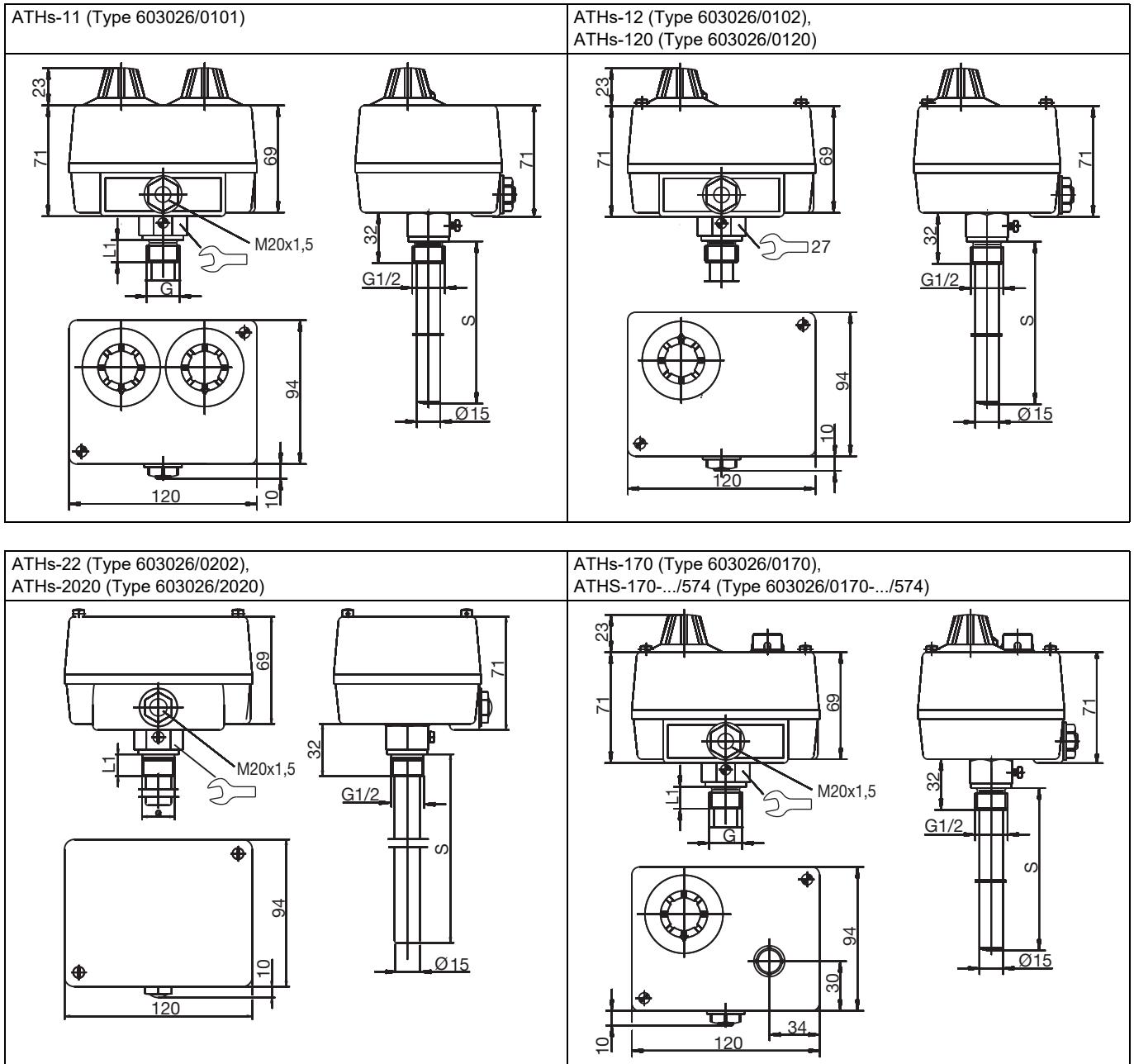
**JUMO Process Control, Inc.**  
 6724 Joy Road  
 East Syracuse, NY 13057, USA  
 Phone: +1 315 437 5866  
 Fax: +1 315 437 5860  
 Email: info.us@jumo.net  
 Internet: www.jumousa.com



# Dimensions

## Versions with rigid shaft

Process connection 20: Screw-in thermowell



**JUMO GmbH & Co. KG**  
 Delivery address: Mackenrodtstraße 14  
 36039 Fulda, Germany  
 Postal address: 36035 Fulda, Germany  
 Phone: +49 661 6003-0  
 Fax: +49 661 6003-607  
 Email: mail@jumo.net  
 Internet: www.jumo.net

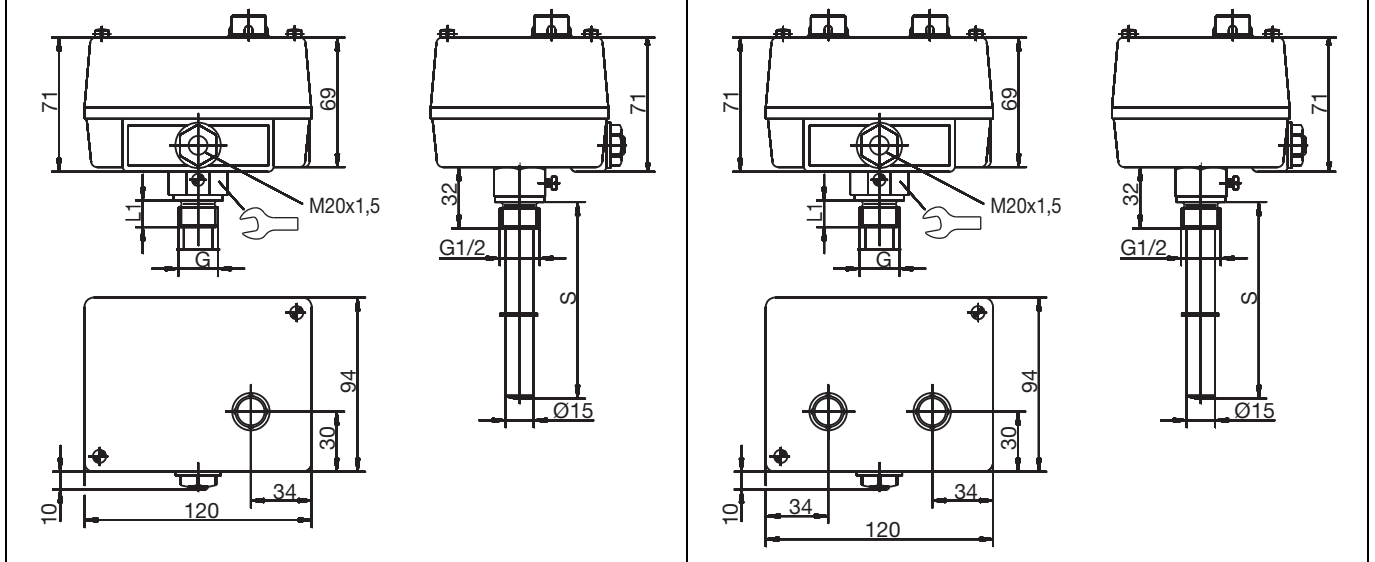
**JUMO Instrument Co. Ltd.**  
 JUMO House  
 Temple Bank, Riverway  
 Harlow, Essex, CM20 2DY, UK  
 Phone: +44 1279 63 55 33  
 Fax: +44 1279 62 50 29  
 Email: sales@jumo.co.uk  
 Internet: www.jumo.co.uk

**JUMO Process Control, Inc.**  
 6724 Joy Road  
 East Syracuse, NY 13057, USA  
 Phone: +1 315 437 5866  
 Fax: +1 315 437 5860  
 Email: info.us@jumo.net  
 Internet: www.jumousa.com

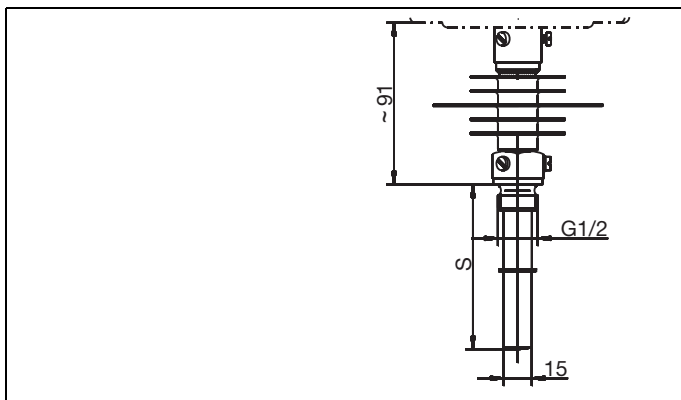


ATHs-270 (Type 603026/0270),  
 ATHs-270-.../574 (Type 603026/0270-.../574),  
 ATHs-2070 (Type 603026/2070),  
 ATHs-2070-.../574 (Type 603026/2070-...-574)

ATHs-7070 (Type 603026/7070),  
 ATHs-7070-.../574 (Type 603026/7070-.../574)



Process connection 30: Screw-in thermowell with intermediate piece (from 150 °C)





**JUMO GmbH & Co. KG**  
 Delivery address: Mackenrodtstraße 14  
 36039 Fulda, Germany  
 Postal address: 36035 Fulda, Germany  
 Phone: +49 661 6003-0  
 Fax: +49 661 6003-607  
 Email: mail@jumo.net  
 Internet: www.jumo.net

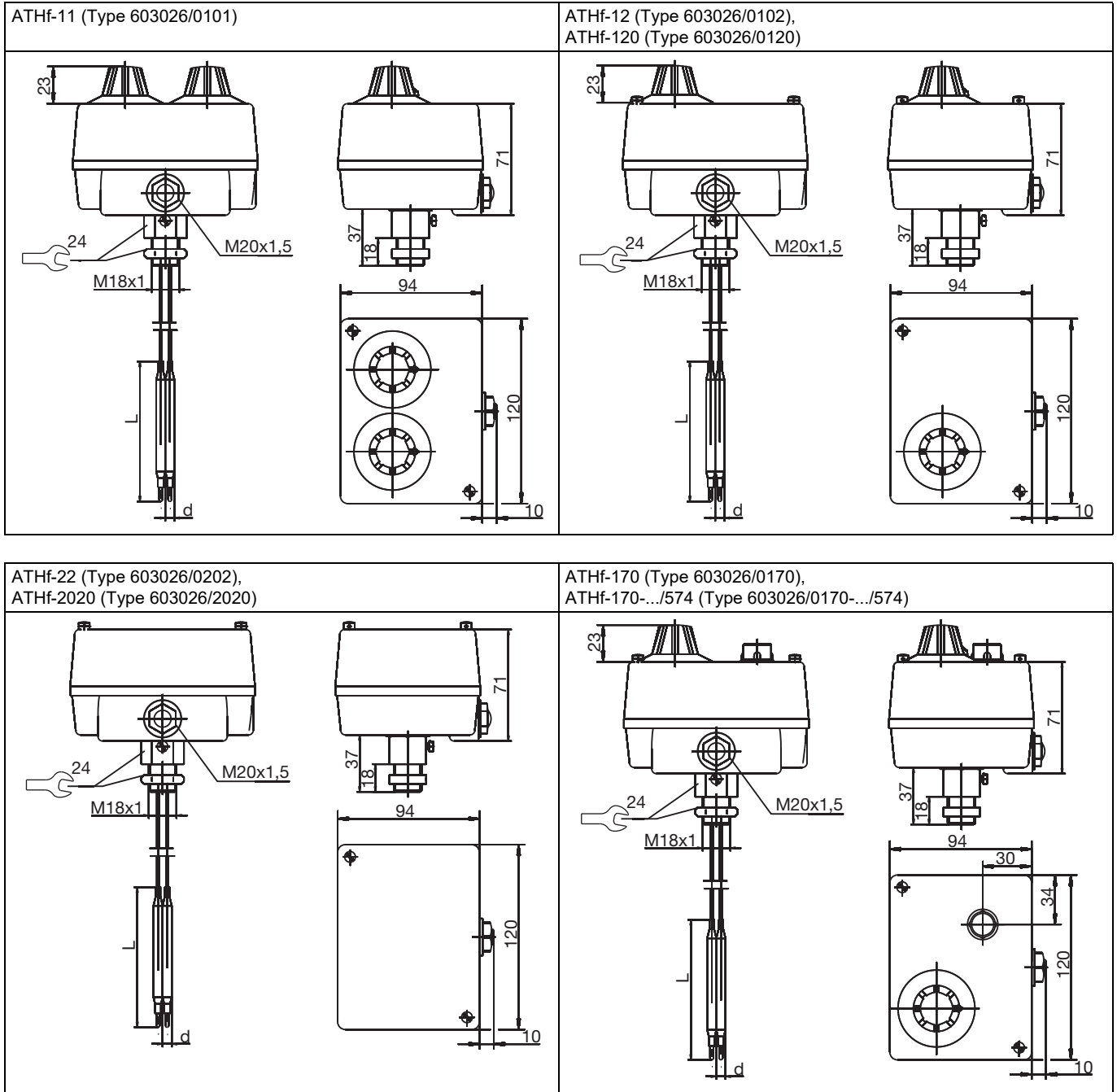
**JUMO Instrument Co. Ltd.**  
 JUMO House  
 Temple Bank, Riverway  
 Harlow, Essex, CM20 2DY, UK  
 Phone: +44 1279 63 55 33  
 Fax: +44 1279 62 50 29  
 Email: sales@jumo.co.uk  
 Internet: www.jumo.co.uk

**JUMO Process Control, Inc.**  
 6724 Joy Road  
 East Syracuse, NY 13057, USA  
 Phone: +1 315 437 5866  
 Fax: +1 315 437 5860  
 Email: info.us@jumo.net  
 Internet: www.jumousa.com



**Versions with capillary**

Process connection 10: Plain cylindrical probe



**JUMO GmbH & Co. KG**  
 Delivery address: Mackenrodtstraße 14  
 36039 Fulda, Germany  
 Postal address: 36035 Fulda, Germany  
 Phone: +49 661 6003-0  
 Fax: +49 661 6003-607  
 Email: mail@jumo.net  
 Internet: www.jumo.net

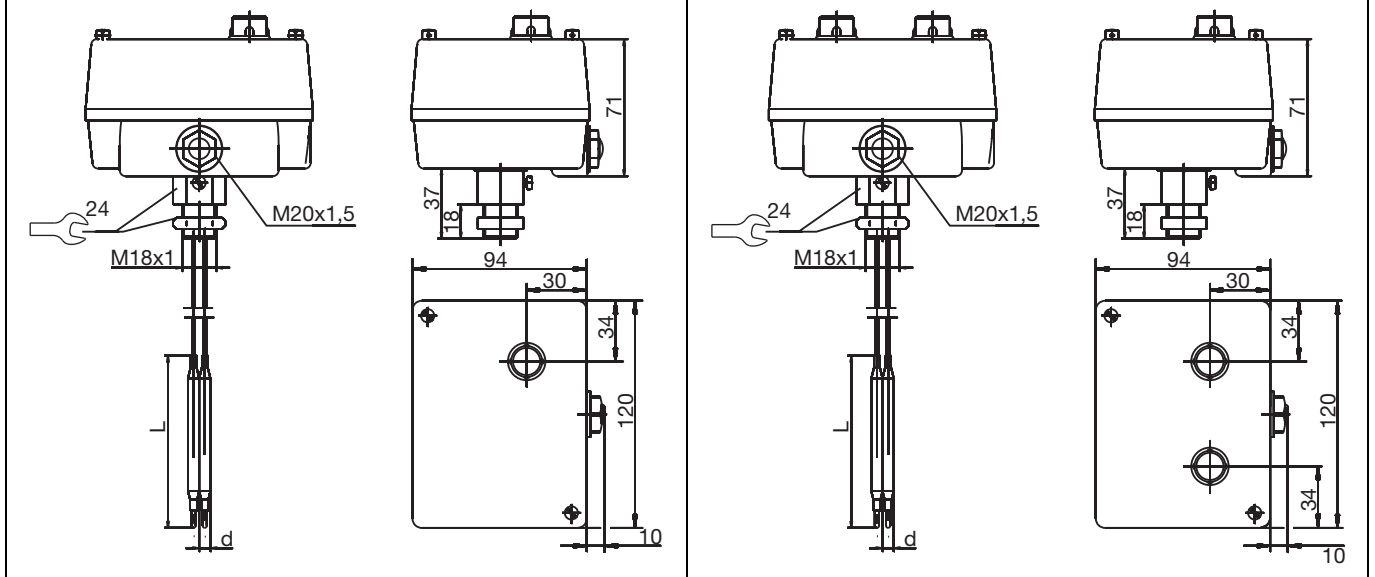
**JUMO Instrument Co. Ltd.**  
 JUMO House  
 Temple Bank, Riverway  
 Harlow, Essex, CM20 2DY, UK  
 Phone: +44 1279 63 55 33  
 Fax: +44 1279 62 50 29  
 Email: sales@jumo.co.uk  
 Internet: www.jumo.co.uk

**JUMO Process Control, Inc.**  
 6724 Joy Road  
 East Syracuse, NY 13057, USA  
 Phone: +1 315 437 5866  
 Fax: +1 315 437 5860  
 Email: info.us@jumo.net  
 Internet: www.jumousa.com



ATHf-270 (Type 603026/0270),  
 ATHf-270-.../574 (Type 603026/0270-.../574),  
 ATHf-2070 (Type 603026/2070),  
 ATHf-2070-.../574 (Type 603026/2070-.../574)

ATHf-7070 (Type 603026/7070),  
 ATHf-7070-.../574 (Type 603026/7070-.../574)



**JUMO GmbH & Co. KG**  
 Delivery address: Mackenrodtstraße 14  
 36039 Fulda, Germany  
 Postal address: 36035 Fulda, Germany  
 Phone: +49 661 6003-0  
 Fax: +49 661 6003-607  
 Email: mail@jumo.net  
 Internet: www.jumo.net

**JUMO Instrument Co. Ltd.**  
 JUMO House  
 Temple Bank, Riverway  
 Harlow, Essex, CM20 2DY, UK  
 Phone: +44 1279 63 55 33  
 Fax: +44 1279 62 50 29  
 Email: sales@jumo.co.uk  
 Internet: www.jumo.co.uk

**JUMO Process Control, Inc.**  
 6724 Joy Road  
 East Syracuse, NY 13057, USA  
 Phone: +1 315 437 5866  
 Fax: +1 315 437 5860  
 Email: info.us@jumo.net  
 Internet: www.jumousa.com



## Connection diagram

The connection elements in the data sheet provide information on product selection.

**For the electrical connection, only use the installation instructions or the operating manual.**

Type	System	Switching function	
Type 603026/0101 (ATH-11), Type 603026/0102 (ATH-12), Type 603026/0120 (ATH-120), Type 603026/0202 (ATH-22), Type 603026/0220 (ATH-220), Type 603026/2020 (ATH-2020)	System I and System II: with changeover contact	TR, TW, STW (STB)	
Type 603026/7070 (ATH-7070)	System I and System II: with NC contact and restart lock	STB	
Type 603026/0170-.../574 (ATH-170/574), Type 603026/0270-.../574 (ATH-270/574), Type 603026/2070-.../574 (ATH-2070/574)	System I: with changeover contact System II: with NC contact, restart lock and additional signal contact	TR, TW, STW (STB)	
Type 603026/7070-.../574 (ATH-7070/574)	System I and System II: with NC contact, restart lock and additional signal contact	STB	
Type 603026/0170 (ATH-170), Type 603026/0270 (ATH-270), Type 603026/2070 (ATH-2070)	System I: with changeover contact System II: with NC contact and restart lock	TR, TW, STW (STB) STB	

**JUMO GmbH & Co. KG**  
 Delivery address: Mackenrodtstraße 14  
 36039 Fulda, Germany  
 Postal address: 36035 Fulda, Germany  
 Phone: +49 661 6003-0  
 Fax: +49 661 6003-607  
 Email: mail@jumo.net  
 Internet: www.jumo.net

**JUMO Instrument Co. Ltd.**  
 JUMO House  
 Temple Bank, Riverway  
 Harlow, Essex, CM20 2DY, UK  
 Phone: +44 1279 63 55 33  
 Fax: +44 1279 62 50 29  
 Email: sales@jumo.co.uk  
 Internet: www.jumo.co.uk

**JUMO Process Control, Inc.**  
 6724 Joy Road  
 East Syracuse, NY 13057, USA  
 Phone: +1 315 437 5866  
 Fax: +1 315 437 5860  
 Email: info.us@jumo.net  
 Internet: www.jumousa.com



## Order details


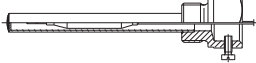
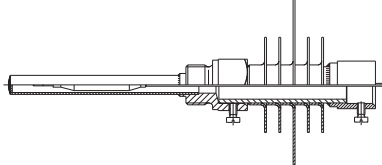
	<b>(1) Basic type</b>	
603026	Surface-mounting double thermostat ATH	
	<b>(2) Basic type extension</b>	
0101	ATH.-11	Temperature controller/temperature controller (TR/TR)
0102	ATH.-12	Temperature controller/temperature monitor (TR/TW)
0120	ATH.-120	Temperature controller/safety temperature monitor (TR/STW (STB))
0170	ATH.-170	Temperature controller/safety temperature controller (TR/STB)
0202	ATH.-22	Temperature monitor/temperature monitor (TW/TW)
0220	ATH.-220	Temperature monitor/safety temperature monitor (TW/STW (STB))
0270	ATH.-270	Temperature monitor/safety temperature limiter (TW/STB)
2020	ATH.-2020	Safety temperature monitor/safety temperature monitor (STW (STB)/STW (STB))
2070	ATH.-2070	Safety temperature monitor/safety temperature limiter (STW (STB)/STB)
7070	ATH.-7070	Safety temperature limiter/safety temperature limiter (STB/STB)
	<b>(3) Design</b>	
1	Rigid shaft	
2	Capillary	
	<b>(4) Control range</b>	
014	-20 to +50 °C	
016	-10 to +40 °C	
021	0 to 50 °C	
025	0 to 100 °C	
041	20 to 90 °C	
042	20 to 120 °C	
043	20 to 150 °C	
045	20 to 400 °C	
046	20 to 500 °C	
052	30 to 110 °C	
062	50 to 200 °C	
063	50 to 250 °C	
064	50 to 300 °C	
066	60 to 130 °C	
	<b>(5) Limit value range (STB)</b>	
014	-20 to +50 °C	
016	-10 to +40 °C	
021	0 to 50 °C	
025	0 to 100 °C	
041	20 to 90 °C	
042	20 to 120 °C	
043	20 to 150 °C	
045	20 to 400 °C	
046	20 to 500 °C	
052	30 to 110 °C	
062	50 to 200 °C	
063	50 to 250 °C	
064	50 to 300 °C	
066	60 to 130 °C	

**JUMO GmbH & Co. KG**  
 Delivery address: Mackenrodtstraße 14  
 36039 Fulda, Germany  
 Postal address: 36035 Fulda, Germany  
 Phone: +49 661 6003-0  
 Fax: +49 661 6003-607  
 Email: mail@jumo.net  
 Internet: www.jumo.net

**JUMO Instrument Co. Ltd.**  
 JUMO House  
 Temple Bank, Riverway  
 Harlow, Essex, CM20 2DY, UK  
 Phone: +44 1279 63 55 33  
 Fax: +44 1279 62 50 29  
 Email: sales@jumo.co.uk  
 Internet: www.jumo.co.uk

**JUMO Process Control, Inc.**  
 6724 Joy Road  
 East Syracuse, NY 13057, USA  
 Phone: +1 315 437 5866  
 Fax: +1 315 437 5860  
 Email: info.us@jumo.net  
 Internet: www.jumousa.com



<b>(6) Switching differential 1</b>		
00	None	
15	1.5 %	
20	2 %	
30	3 %	
50	5 %	
60	6 %	
70	7 %	
90	9 %	
<b>(7) Switching differential 2</b>		
00	None	
15	1.5 %	
20	2 %	
30	3 %	
50	5 %	
60	6 %	
70	7 %	
90	9 %	
<b>(8) Capillary length 1</b>		
0	None	
1000	1000 mm	
2000	2000 mm	
3000	3000 mm	
4000	4000 mm	
5000	5000 mm	
<b>(9) Capillary length 2</b>		
0	None	
1000	1000 mm	
2000	2000 mm	
3000	3000 mm	
4000	4000 mm	
5000	5000 mm	
<b>(10) Capillary material 1</b>		
00	None	
20	CrNi (stainless steel)	
40	Cu (copper)	
<b>(11) Capillary material 2</b>		
00	None	
20	CrNi (stainless steel)	
40	Cu (copper)	
<b>(12) Process connection</b>		
10	Plain cylindrical probe	
20	Screw-in thermowell	
30	Screw-in thermowell with intermediate piece	

**JUMO GmbH & Co. KG**  
 Delivery address: Mackenrodtstraße 14  
 36039 Fulda, Germany  
 Postal address: 36035 Fulda, Germany  
 Phone: +49 661 6003-0  
 Fax: +49 661 6003-607  
 Email: mail@jumo.net  
 Internet: www.jumo.net

**JUMO Instrument Co. Ltd.**  
 JUMO House  
 Temple Bank, Riverway  
 Harlow, Essex, CM20 2DY, UK  
 Phone: +44 1279 63 55 33  
 Fax: +44 1279 62 50 29  
 Email: sales@jumo.co.uk  
 Internet: www.jumo.co.uk

**JUMO Process Control, Inc.**  
 6724 Joy Road  
 East Syracuse, NY 13057, USA  
 Phone: +1 315 437 5866  
 Fax: +1 315 437 5860  
 Email: info.us@jumo.net  
 Internet: www.jumousa.com



<b>(13) Thread of process connection</b>	
00	None
13	G 1/2"
<b>(14) Material of process connection</b>	
00	None
20	CrNi (stainless steel)
46	CuZn (brass)
<b>(15) Insertion length</b>	
000	Without thermowell (ATHf-...)
100	100 mm
120	120 mm
150	150 mm
200	200 mm
300	300 mm
<b>(16) Immersion tube diameter</b>	
00	Without thermowell
15	15 mm
<b>(17) Probe diameter</b>	
6	6 mm
<b>(18) Extra codes</b>	
000	None
248	Wall stands
574	Microswitch with changeover contact, restart lock only for STB
701	Case lid made of aluminium die casting
702	Snap-action switch contact, gold-plated (only with switching differential 3 %, 5 %, and 7 %, and STB)
711	Switch head fastening with 2 screws through the case bottom part
764	Fastening flange made of steel sheet

Order code            (1)            (2)            (3)            (4)            (5)            (6)            (7)            (8)            (9)            (10)  
 Order example       /  -  -  -  -  -  -  -  -  -  -  -  
                                  603026    / 0101 - 1 - 014 - 14 - 00 - 15 - 0 - 1000 - 00 -

                                 (11)            (12)            (13)            (14)            (15)            (16)            (17)            (18)  
                                   -  -  -  -  -  -  /  , ...<sup>a</sup>  
                                  20 - 10 - 13 - 00 - 100 - 00 - 6 / 248 ,

<sup>a</sup> List extra codes in sequence, separated by commas.

**JUMO GmbH & Co. KG**  
 Delivery address: Mackenrodtstraße 14  
 36039 Fulda, Germany  
 Postal address: 36035 Fulda, Germany  
 Phone: +49 661 6003-0  
 Fax: +49 661 6003-607  
 Email: mail@jumo.net  
 Internet: www.jumo.net

**JUMO Instrument Co. Ltd.**  
 JUMO House  
 Temple Bank, Riverway  
 Harlow, Essex, CM20 2DY, UK  
 Phone: +44 1279 63 55 33  
 Fax: +44 1279 62 50 29  
 Email: sales@jumo.co.uk  
 Internet: www.jumo.co.uk

**JUMO Process Control, Inc.**  
 6724 Joy Road  
 East Syracuse, NY 13057, USA  
 Phone: +1 315 437 5866  
 Fax: +1 315 437 5860  
 Email: info.us@jumo.net  
 Internet: www.jumousa.com



## Stock versions

### Versions with rigid shaft

Type	Control/ limit value range	Switching differential	Process connection	Immersion tube Ø × length mm	Part no.
ATHs-22	0 to 100 °C	3 to 4 %	"20" G 1/2"	15 × 120	60001047
ATHs-22	0 to 100 °C	1.5 %	"20" G 1/2"	15 × 120 CrNi	60001555
ATHs-22	0 to 100 °C	3 to 4 %	"20" G 1/2"	15 × 150	60000205
ATHs-22	0 to 100 °C	3 to 4 %	"20" G 1/2"	15 × 200	60000988
ATHs-22	0 to 100 °C	3 to 4 %	"20" G 1/2"	15 × 300	60000204
ATHs-22	20 to 150	3 to 4 %	"20" G 1/2"	15 × 100	60000489
ATHs-22	50 to 300	3 to 4 %	"30" G 1/2"	15 × 150 CrNi	60003331
ATHs-120	20 to 150	3 to 4 %	"20" G 1/2"	15 × 150	60001479
ATHs-120	20 to 120	3 to 4 %	"20" G 1/2"	15 × 150	60001932
ATHs-170	30 to 110	3 to 4 %	"20" G 1/2"	15 × 150	60000195
ATHs-170	30 to 110	3 to 4 %	"20" G 1/2"	15 × 200	60000196
ATHs-170	20 to 120	3 to 4 %	"20" G 1/2"	15 × 150	60001048
ATHs-170	20 to 150	3 to 4 %	"20" G 1/2"	15 × 150	60000989
ATHs-270	20 to 150	3 to 4 %	"20" G 1/2"	15 × 200	60000194

### Versions with capillary

Type	Control/ limit value range	Switching differential	Capillary	Process connection	Probe Ø × length mm	Part no.
ATHf-22	0 to 100 °C	3 to 4 %	1000 mm	„10" plain cylindrical probe	6 × 107	60001046
ATHf-170	30 to 110 °C	3 to 4 %	1000 mm	„10" plain cylindrical probe	6 × 125	60001876