

JUMO GmbH & Co. KG
 Delivery address: Mackenrodtstraße 14,
 36039 Fulda, Germany
 Postal address: 36035 Fulda, Germany
 Phone: +49 661 6003-0
 Fax: +49 661 6003-607
 E-mail: mail@jumo.net
 Internet: www.jumo.net

JUMO Instrument Co. Ltd.
 JUMO House
 Temple Bank, Riverway
 Harlow - Essex CM20 2DY, UK
 Phone: +44 1279 63 55 33
 Fax: +44 1279 63 52 62
 E-mail: sales@jumo.co.uk
 Internet: www.jumo.co.uk

JUMO Process Control, Inc.
 8 Technology Boulevard
 Canastota, NY 13032, USA
 Phone: 315-697-JUMO
 1-800-554-JUMO
 Fax: 315-697-5867
 E-mail: info@jumo.us
 Internet: www.jumo.us

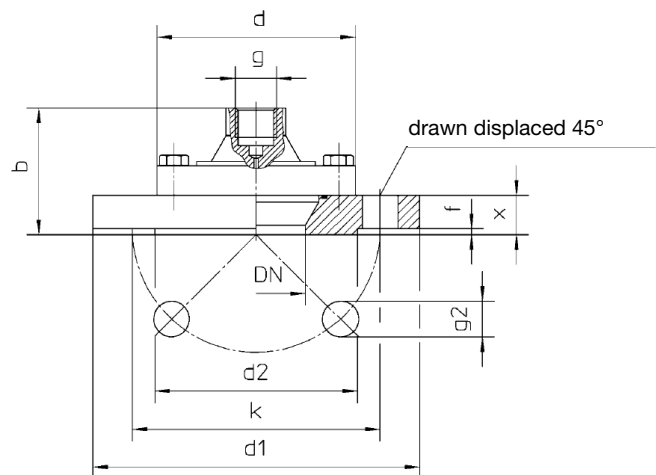
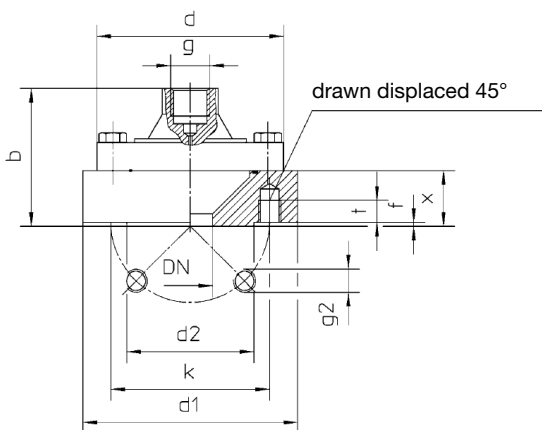


Diaphragm Chemical Seals 4MDV-10

Type 409780



Diaphragm chemical seal 4MDV-10 with flange connection to EN 1092-1 Form B1
 with DN15, 20 and 25 connections with DN50 connection



Technical data

Process connection	Nominal pressure	Recomm. minimum range bar	Weight (without meas. device) kg	Dimensions [mm]							
				DN	d ₂	k	d ₁	b	d	g	g ₂
DN15	PN 40 – 100	0 – 1	1.85	15	45	65	99	69	99	G1/2	4 x M 12
DN20			1.95	20	58	75	105				
DN25		0 – 0.6	2.00	25	68	85	115	66			
DN50			3.35	50	102	125	165	64			

JUMO GmbH & Co. KG

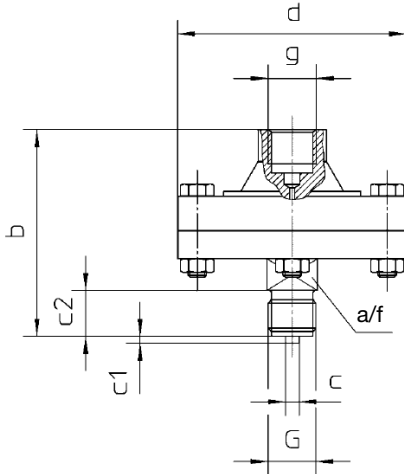
Delivery address: Mackenrodtstraße 14,
36039 Fulda, Germany
Postal address: 36035 Fulda, Germany
Phone: +49 661 6003-0
Fax: +49 661 6003-607
E-mail: mail@jumo.net
Internet: www.jumo.net

JUMO Instrument Co. Ltd.

JUMO House
Temple Bank, Riverway
Harlow - Essex CM20 2DY, UK
Phone: +44 1279 63 55 33
Fax: +44 1279 63 52 62
E-mail: sales@jumo.co.uk
Internet: www.jumo.co.uk

JUMO Process Control, Inc.

8 Technology Boulevard
Canastota, NY 13032, USA
Phone: 315-697-JUMO
1-800-554-JUMO
Fax: 315-697-5867
E-mail: info@jumo.us
Internet: www.jumo.us

**Diaphragm chemical seal 4MDV-10 with G1/2 screw connection****Technical data**

Process connection	Nominal pressure	Recomm. minimum range bar	Weight (without meas. device) kg	Dimensions [mm]							
				G	a/f	c	c ₁	c ₂	b	d	g
G1/2	PN 40 – 250	0 – 1	1.43	G1/2	22	6	3	20	90	99	G1/2

JUMO GmbH & Co. KG

Delivery address: Mackenrodtstraße 14,
36039 Fulda, Germany
Postal address: 36035 Fulda, Germany
Phone: +49 661 6003-0
Fax: +49 661 6003-607
E-mail: mail@jumo.net
Internet: www.jumo.net

JUMO Instrument Co. Ltd.

JUMO House
Temple Bank, Riverway
Harlow - Essex CM20 2DY, UK
Phone: +44 1279 63 55 33
Fax: +44 1279 63 52 62
E-mail: sales@jumo.co.uk
Internet: www.jumo.co.uk

JUMO Process Control, Inc.

8 Technology Boulevard
Canastota, NY 13032, USA
Phone: 315-697-JUMO
1-800-554-JUMO
Fax: 315-697-5867
E-mail: info@jumo.us
Internet: www.jumo.us

**Order details****(1) Basic type**

409780 Diaphragm chemical seal 4MDV-10

(2) Process connection

504 G1/2 screw connection
726 DN15 flange connection
727 DN20 flange connection
728 DN25 flange connection
729 DN50 flange connection

(3) Nominal pressure in bar

040 PN40
100 PN100
250 PN250²

(4) Material

20 stainless steel
99 special material¹

(5) Filling medium

1 silicone oil
99 special filling medium¹

(6) Capillary

0000 without capillary
1000 1.0 m capillary
1500 1.5 m capillary
2000 2.0 m capillary
3000 3.0 m capillary
5000 5.0 m capillary

	(1)	(2)	(3)	(4)	(5)	(6)
Order code	<input type="text"/>	/ <input type="text"/>	- <input type="text"/>	- <input type="text"/>	- <input type="text"/>	- <input type="text"/>
Order example	409780	/ 504	- 040	- 20	- 1	- 1000

¹ Please specify in plain text when ordering² Only with process connection 504 "G1/2 screw connection"