

JUMO GmbH & Co. KG

Delivery address: Mackenrodtstraße 14,
36039 Fulda, Germany
Postal address: 36035 Fulda, Germany
Phone: +49 661 6003-0
Fax: +49 661 6003-607
E-mail: mail@jumo.net
Internet: www.jumo.net

JUMO Instrument Co. Ltd.

JUMO House
Temple Bank, Riverway
Harlow - Essex CM20 2DY, UK
Phone: +44 1279 63 55 33
Fax: +44 1279 63 52 62
E-mail: sales@jumo.co.uk
Internet: www.jumo.co.uk

JUMO Process Control, Inc.

8 Technology Boulevard
Canastota, NY 13032, USA
Phone: 315-697-JUMO
1-800-554-JUMO
Fax: 315-697-5867
E-mail: info@jumo.us
Internet: www.jumo.us



Paddlewheel flow sensor

Brief description

The paddlewheel rate sensor is designed for continuous measurement of the flow of neutral and weakly aggressive liquids containing low levels of solids.

Flow speeds of 0.3 to 10 m/s can be measured.

The sensor provides a frequency pulse signal proportional to the flow speed.

Standardized fittings ensure easy installation of the measuring transducer in tubes ranging from DN15 to DN400 (see Data Sheet 406090).

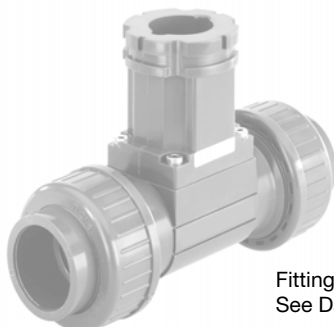


Type 406020/ ...

Example of mounting



Flow sensor

Fitting
See Data Sheet 406090

Key features

- Simple mounting.
- For pressures up to PN10 and temperatures up to +70°C.
- Three-wire frequency pulse signal is suitable for direct connection to PLC.

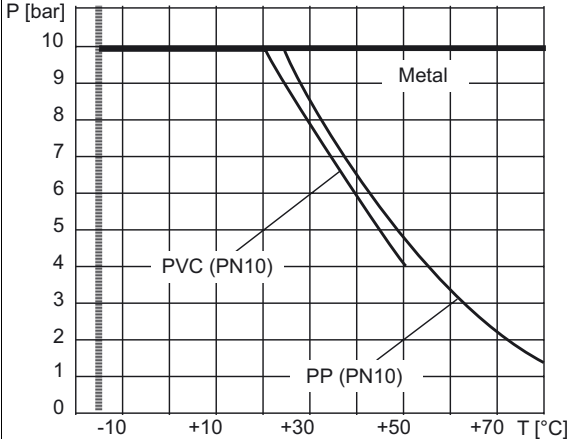
JUMO GmbH & Co. KG
 Delivery address: Mackenrodtstraße 14,
 36039 Fulda, Germany
 Postal address: 36035 Fulda, Germany
 Phone: +49 661 6003-0
 Fax: +49 661 6003-607
 E-mail: mail@jumo.net
 Internet: www.jumo.net

JUMO Instrument Co. Ltd.
 JUMO House
 Temple Bank, Riverway
 Harlow - Essex CM20 2DY, UK
 Phone: +44 1279 63 55 33
 Fax: +44 1279 63 52 62
 E-mail: sales@jumo.co.uk
 Internet: www.jumo.co.uk

JUMO Process Control, Inc.
 8 Technology Boulevard
 Canastota, NY 13032, USA
 Phone: 315-697-JUMO
 1-800-554-JUMO
 Fax: 315-697-5867
 E-mail: info@jumo.us
 Internet: www.jumo.us



Technical data

Operating conditions	
Measurement medium	Water or other neutral or weakly aggressive liquids
Viscosity of the measurement medium	≤ 300 cStokes
Medium temperature	In combination with PVC fitting: 0 to +50°C In combination with PP fitting: 0 to +80°C In combination with PE fitting: 0 to +70°C In combination with stainless steel fitting: -15 to +80°C
Ambient temperature	-10 to +60°C operating temperature -20 to +60°C storage temperature
Tube diameter	For diameters DN15 to DN 400. Only in combination with fittings as per Data Sheet 406090.
System pressure	In combination with a PVC or PE fitting: 
Minimum inlet and outlet distances	See illustrations on page 5/5
Relative humidity	≤ 80%, non-condensing
Enclosure protection	IP65 (with mating connector connected)
EMC	EN 61000-6-2, EN 61000-6-3
Vibration	EN 60068-2-6
Impact	EN 60068-2-27
Measuring range	
Flow speed	0.3 to 10 m/s
Accuracy	With standard K factor: ≤ ± 3% of measured value after teach-in: ≤ ± 0.5% of measured value
Linearity	≤ ± 0.5% of measurement range end (at 10 m/s)
Repeatability	≤ ± 0.4% of measured value
Materials	
Enclosure, union nut	PE, PC
Cable plug	PA
Parts in contact with medium	Sensor: PVDF, ceramic, FKM Fitting: see data sheet 406090

JUMO GmbH & Co. KG
 Delivery address: Mackenrodtstraße 14,
 36039 Fulda, Germany
 Postal address: 36035 Fulda, Germany
 Phone: +49 661 6003-0
 Fax: +49 661 6003-607
 E-mail: mail@jumo.net
 Internet: www.jumo.net

JUMO Instrument Co. Ltd.
 JUMO House
 Temple Bank, Riverway
 Harlow - Essex CM20 2DY, UK
 Phone: +44 1279 63 55 33
 Fax: +44 1279 63 52 62
 E-mail: sales@jumo.co.uk
 Internet: www.jumo.co.uk

JUMO Process Control, Inc.
 8 Technology Boulevard
 Canastota, NY 13032, USA
 Phone: 315-697-JUMO
 1-800-554-JUMO
 Fax: 315-697-5867
 E-mail: info@jumo.us
 Internet: www.jumo.us



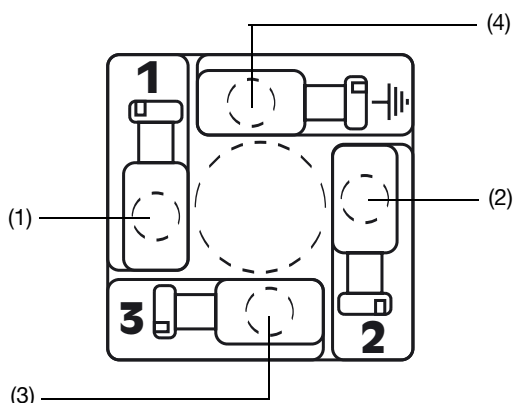
Electrical data	
Power supply voltage	DC 12 to 36 V
Power consumption	≤ 50 mA
Output	Pulse: 0 - 300 Hz, clock ratio: 50%, ≤ 100 mA, protected against reverse polarity
Connection	Device socket EN 175301-803
Recommended connecting cable	max. 1.5 mm ² , max. 50 m long, shielded

Electrical connection

Connection		Terminal assignment
Supply voltage DC 12 to 36 V		1 L+ 3 L-
Output pulse (PNP)		PIs+ 3 L-
Output pulse (NPN)		1 L+ 2 PIs-

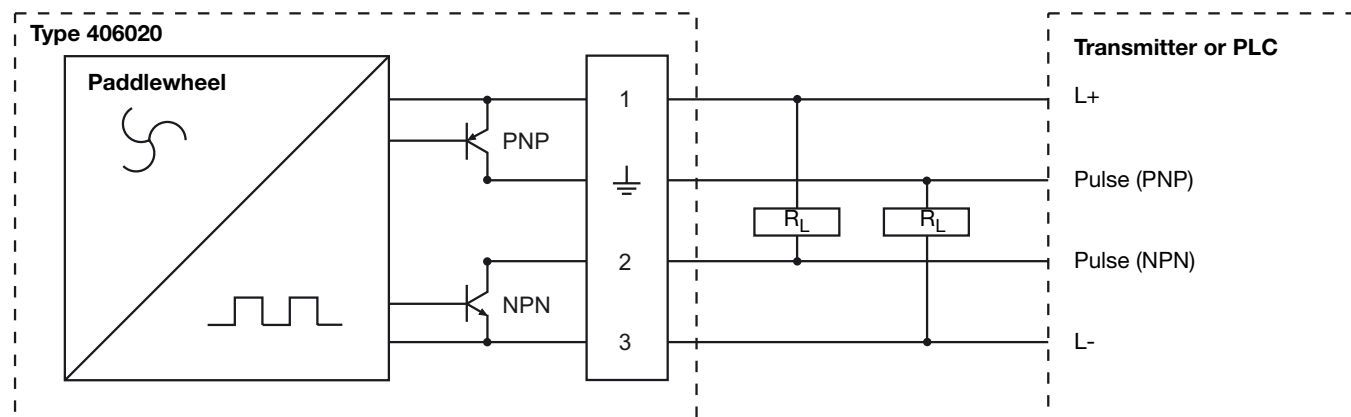
Terminal assignment

- (1) Supply voltage
- (2) Output pulse
NPN transistor
- (3) 0 V
- (4) Output pulse
PNP transistor



Connection example

L+ and L- must always be connected!
 Pulse (PNP) or pulse (NPN) are optionally connected.



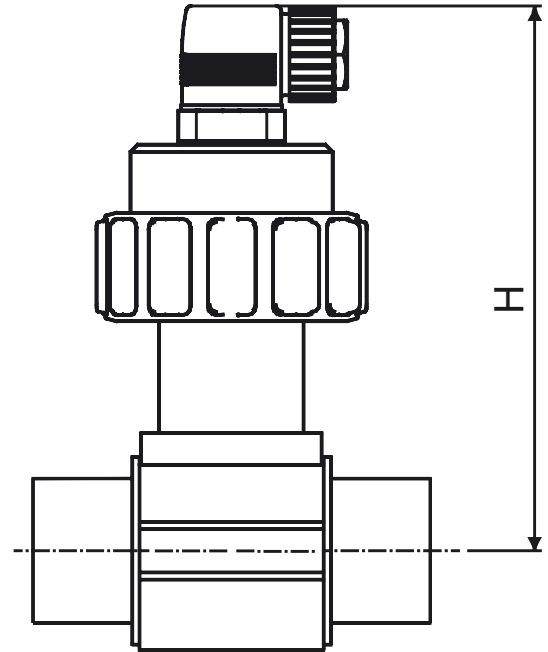
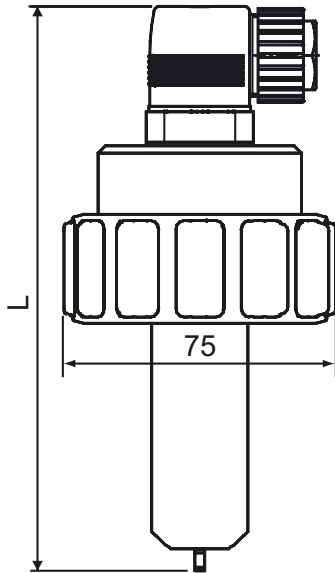
JUMO GmbH & Co. KG
 Delivery address: Mackenrodtstraße 14,
 36039 Fulda, Germany
 Postal address: 36035 Fulda, Germany
 Phone: +49 661 6003-0
 Fax: +49 661 6003-607
 E-mail: mail@jumo.net
 Internet: www.jumo.net

JUMO Instrument Co. Ltd.
 JUMO House
 Temple Bank, Riverway
 Harlow - Essex CM20 2DY, UK
 Phone: +44 1279 63 55 33
 Fax: +44 1279 63 52 62
 E-mail: sales@jumo.co.uk
 Internet: www.jumo.co.uk

JUMO Process Control, Inc.
 8 Technology Boulevard
 Canastota, NY 13032, USA
 Phone: 315-697-JUMO
 1-800-554-JUMO
 Fax: 315-697-5867
 E-mail: info@jumo.us
 Internet: www.jumo.us



Dimensions



Tube diameter DN	L	H Built into T fitting	Tube diameter DN	L	H Built into welded adapter
15	153	156	65	191	173
20		154	80		178
25		154	100		184
32		157	150		230
40		161	200		251
50		167	250		269
			300		281
			350		294
			400		309

Note: suitable fittings can be found in Data Sheet 406090.

JUMO GmbH & Co. KG
 Delivery address: Mackenrodtstraße 14,
 36039 Fulda, Germany
 Postal address: 36035 Fulda, Germany
 Phone: +49 661 6003-0
 Fax: +49 661 6003-607
 E-mail: mail@jumo.net
 Internet: www.jumo.net

JUMO Instrument Co. Ltd.
 JUMO House
 Temple Bank, Riverway
 Harlow - Essex CM20 2DY, UK
 Phone: +44 1279 63 55 33
 Fax: +44 1279 63 52 62
 E-mail: sales@jumo.co.uk
 Internet: www.jumo.co.uk

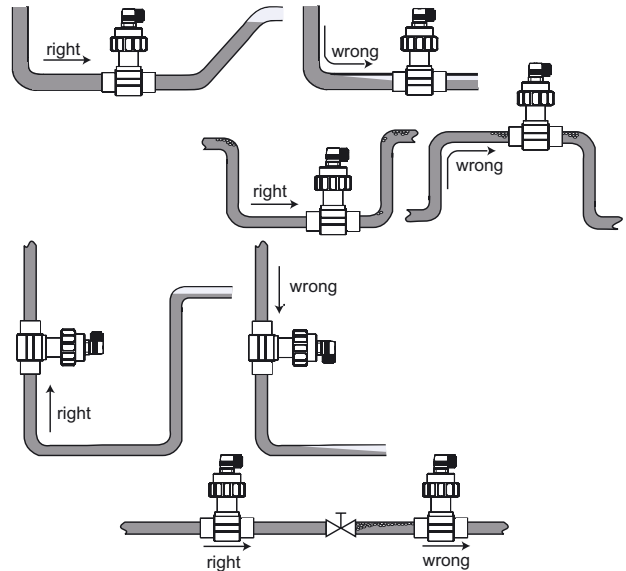
JUMO Process Control, Inc.
 8 Technology Boulevard
 Canastota, NY 13032, USA
 Phone: 315-697-JUMO
 1-800-554-JUMO
 Fax: 315-697-5867
 E-mail: info@jumo.us
 Internet: www.jumo.us



Mounting

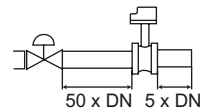
Installation

To ensure accurate flow measurements, the flow sensor of type 406020 must be installed in vertical or horizontal tubing.

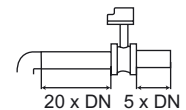


Minimum inlet and outlet distances

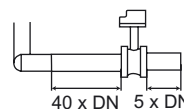
To eliminate turbulence in the tubing, the minimum inlet and outlet distances must be observed. To ensure greater accuracy, the length of these zones for eliminating turbulence can be increased. For additional information see EN ISO 5167-1. The direction of flow is from left to right. DN = Nominal tube width.



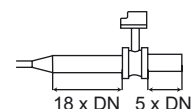
Control valve



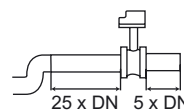
1 x 90° elbow or T piece



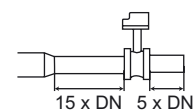
2 x 90° elbow
Three-dimensional



Extension



2 x 90° elbow



Reduction

JUMO GmbH & Co. KG
 Delivery address: Mackenrodtstraße 14,
 36039 Fulda, Germany
 Postal address: 36035 Fulda, Germany
 Phone: +49 661 6003-0
 Fax: +49 661 6003-607
 E-mail: mail@jumo.net
 Internet: www.jumo.net





JUMO Instrument Co. Ltd.
 JUMO House
 Temple Bank, Riverway
 Harlow - Essex CM20 2DY, UK
 Phone: +44 1279 63 55 33
 Fax: +44 1279 63 52 62
 E-mail: sales@jumo.co.uk
 Internet: www.jumo.co.uk

JUMO Process Control, Inc.
 8 Technology Boulevard
 Canastota, NY 13032, USA
 Phone: 315-697-JUMO
 1-800-554-JUMO
 Fax: 315-697-5867
 E-mail: info@jumo.us
 Internet: www.jumo.us



Mounting recommendation

Fittings for flow rate sensors - see Data Sheet 406090

<p>PVC and stainless steel T fitting</p> 	<p>Nominal flow rate width DN15 to DN50</p>	<p>Sensor version (basic type extension) Short sensor</p>
<p>PE welded adapter</p> 	<p>Nominal flow rate width DN65 to DN100 DN125 to DN400</p>	<p>Sensor version (basic type extension) Short sensor Long sensor</p>
<p>Stainless steel welded adapter with radius</p> 	<p>Nominal flow rate width DN50 to DN200 DN250 to DN350</p>	<p>Sensor version (basic type extension) Short sensor Long sensor</p>
<p>PP connecting clamps</p> 	<p>Nominal flow rate width DN50 to DN200</p>	<p>Sensor version (basic type extension) Long sensor</p>

Information for ordering: Paddlewheel flow sensor

- (1) **Basic type**
406020 Paddlewheel flow sensor
- (2) **Basic type extension**
001 Short sensor¹
002 Long sensor¹
- (3) **Output**
440 Frequency pulse
- (4) **Electrical connection**
61 Cable socket
- (5) **Extra codes**
000 None

Order code (1) (2) (3) (4) (5)
 Sample order 406020 / 001 - xxx - 61 / 000

¹ See "Mounting recommendation" table above.