

JUMO GmbH & Co. KG
Delivery address: Mackenrodtstraße 14
36039 Fulda, Germany
Postal address: 36035 Fulda, Germany
Phone: +49 661 6003-0
Fax: +49 661 6003-607
Email: mail@jumo.net
Internet: www.jumo.net

JUMO Instrument Co. Ltd.
JUMO House
Temple Bank, Riverway
Harlow, Essex, CM20 2DY, UK
Phone: +44 1279 63 55 33
Fax: +44 1279 62 50 29
Email: sales@jumo.co.uk
Internet: www.jumo.co.uk

JUMO Process Control, Inc.
6733 Myers Road
East Syracuse, NY 13057, USA
Phone: +1 315 437 5866
Fax: +1 315 437 5860
Email: info.us@jumo.net
Internet: www.jumousa.com



JUMO CEROS S01 M

Digital pressure measuring cell

Applications

- Module for the production of pressure transmitters or level probes
- For installation in valve blocks, pumps, and additional compact devices
- For hygienic applications (front-flush installation)

Brief description

The digital pressure measuring cell is used to measure the pressure of liquid and gaseous media. In contrast to conventional pressure measuring cells, it is an active component that supplies a temperature-compensated and calibrated digital/analog output signal. The piezoresistive sensing element with integrated signal processing is hermetically encapsulated and ensures stable and precise linearity and accuracy values even under adverse conditions.

The basic variants of digital pressure measuring cells use standard measuring ranges for relative or absolute pressure measurements. In addition, individual adjustments of the measuring range or the temperature compensation tailored to the relevant measurement task can be taken into consideration.

The compact design type of the digital pressure measuring cell opens up the potential of use as a module in a pressure transmitter, a level probe, or for use directly customer applications, such as valve blocks, pumps etc. For electric connection to downstream electronic components, versions with a PIN connection, stranded wires, or plug contacts are possible. Customized connection options and direct mounting onto a circuit board are also viable.

The pressure measuring cell can be accessed using an I²C interface and setup program. The setup program visualizes the actual process values. In addition, various configurations and offset correction in the event of environmental influences or in the working point can also be carried out.

The clear digital signature of the pressure measuring cell enables traceability right up to the process level.

High level of accuracy, compact design, and the possibility for setup configuration reduces subsequent production steps to a minimum.

Customer benefits

- Prealigned and temperature-compensated
- Zero point correction possible (e.g. after installation)
- Pressure and temperature values as a digital signal
- Direct mounting on circuit board possible (without additional connector)
- Customer-specific configuration options (signal limitation, limit values)
- Traceability of the sensor with a clear digital signature



Type 405101
(side view)



Type 405101
(bottom view)

Special features

- Measuring range from 100 mbar (1.45 psi) up to 100 bar (1450 psi)
- Operating temperature from -40 to +125 °C
- Surface roughness Ra < 0.8 µm (optional)
- High signal resolution with 15 bit
- High electric strength of ±40 V

JUMO GmbH & Co. KG
 Delivery address: Mackenrodtstraße 14
 36039 Fulda, Germany
 Postal address: 36035 Fulda, Germany
 Phone: +49 661 6003-0
 Fax: +49 661 6003-607
 Email: mail@jumo.net
 Internet: www.jumo.net

JUMO Instrument Co. Ltd.
 JUMO House
 Temple Bank, Riverway
 Harlow, Essex, CM20 2DY, UK
 Phone: +44 1279 63 55 33
 Fax: +44 1279 62 50 29
 Email: sales@jumo.co.uk
 Internet: www.jumo.co.uk

JUMO Process Control, Inc.
 6733 Myers Road
 East Syracuse, NY 13057, USA
 Phone: +1 315 437 5866
 Fax: +1 315 437 5860
 Email: info.us@jumo.net
 Internet: www.jumousa.com



Technical data

General Information

Reference conditions	DIN 16086, DIN EN 60770
Measuring principle	Piezoresistive (absolute pressure sensor, relative pressure sensor)
Admissible load changes	> 10 million
Mounting position	Any
Calibration position	Measuring cell vertically upright, membrane downwards

Measuring range and accuracy

Pressure input

The reference conditions according to EN 61298-1 apply. Calibration position: Measuring cell vertically upright, membrane downwards.

Measuring range bar	Linearity ^a % MSP ^e	Accuracy at		Long-term stability % MSP per year	Overload capability ^b bar	Burst pressure bar	
		20 °C ^c % MSP	-20 to +100 °C ^d % MSP				
0 to 100 mbar relative pressure	0.3	0.5	1.4	<0.2	0.4	0.6	
0 to 160 mbar relative pressure					0.6	1	
0 to 250 mbar relative pressure					1	1.5	
0 to 600 mbar relative pressure					1.6	2.4	
0 to 400 mbar relative pressure					2.4	3.6	
0 bar to 1 bar relative/absolute pressure	0.2	0.4	1.1		4	6	
0 bar to 1.6 bar relative/absolute pressure					6	10	
0 bar to 2.5 bar relative/absolute pressure					10	15	
0 bar to 4 bar relative/absolute pressure					16	24	
0 bar to 6 bar relative/absolute pressure					24	36	
0 bar to 10 bar relative/absolute pressure			0.9		0.9	40	60
0 bar to 16 bar relative/absolute pressure						60	100
0 bar to 25 bar relative/absolute pressure						100	150
0 bar to 40 bar relative/absolute pressure						180	250
0 bar to 60 bar relative/absolute pressure							
-400 to +400 mbar relative pressure	0.3	0.5	1.2		4	6	
-600 to +600 bar relative pressure					6	10	
-1 to 0 bar relative pressure							
-1 to +0.6 bar relative pressure							
-1 bar to +1 bar relative pressure							
-1 to +1.5 bar relative pressure							
-1 to +3 bar relative pressure							
-1 to +5 bar relative pressure							
-1 to +9 bar relative pressure	0.2	0.4	0.9	40	60		
-1 to +15 bar relative pressure				60	100		
-1 to +24 bar relative pressure				100	150		

^a According to limit point setting

^b All pressure measuring cells are vacuum proof.

^c Includes: linearity, hysteresis, repeatability, deviation from measuring range initial value and measuring range end value

^d Includes: linearity, hysteresis, repeatability, deviation from measuring range initial value and measuring range end value, thermal effect on measuring range start and measuring span

^e MSP = measuring span

JUMO GmbH & Co. KG
 Delivery address: Mackenrodtstraße 14
 36039 Fulda, Germany
 Postal address: 36035 Fulda, Germany
 Phone: +49 661 6003-0
 Fax: +49 661 6003-607
 Email: mail@jumo.net
 Internet: www.jumo.net

JUMO Instrument Co. Ltd.
 JUMO House
 Temple Bank, Riverway
 Harlow, Essex, CM20 2DY, UK
 Phone: +44 1279 63 55 33
 Fax: +44 1279 62 50 29
 Email: sales@jumo.co.uk
 Internet: www.jumo.co.uk

JUMO Process Control, Inc.
 6733 Myers Road
 East Syracuse, NY 13057, USA
 Phone: +1 315 437 5866
 Fax: +1 315 437 5860
 Email: info.us@jumo.net
 Internet: www.jumousa.com



Temperature input

Measuring range	Accuracy
-40 to +125 °C	±1,5 K

Temperature values can only be read out via the digital interface I²C.



NOTE!

Details for communication ⇒ see interface description "JUMO CEROS S01 M - Interface Description" (40510109T92Z001K000).

Output

Possible outputs	Analog output 412	Digital output 525
	DC 0.5 to 4.5 V, three-wire ^a , ratiometric 10 to 90 % of the voltage supply	I ² C, DC 5 V, four-wire
Burden	R _L ≥ 5 kΩ	-
Voltage DC 0.5 to 4.5 V		
Pull-up resistor	-	R _{Pull-up} 1 to 10 kΩ
Bit rate	-	≤ 400 MHz (15 bit)
Operational readiness time	< 5 ms	
Conversion time	< 0.5 ms	
Step response t ₉₀	< 3 ms	
Maximum current consumption	< 7 mA	

^a With nominal voltage DC 5 V

Electrical data

Voltage supply	DC 5 V ±10 % nominal voltage
----------------	------------------------------

Interface

General information

Bus type	I ² C (NXP trademark)
Transmission type	Serial transmission (master-slave communication)
Standard address	0x28



NOTE

Details for communication ⇒ see interface description "JUMO CEROS S01 M - Interface Description" (40510109T92Z001K000).

JUMO GmbH & Co. KG
 Delivery address: Mackenrodtstraße 14
 36039 Fulda, Germany
 Postal address: 36035 Fulda, Germany
 Phone: +49 661 6003-0
 Fax: +49 661 6003-607
 Email: mail@jumo.net
 Internet: www.jumo.net

JUMO Instrument Co. Ltd.
 JUMO House
 Temple Bank, Riverway
 Harlow, Essex, CM20 2DY, UK
 Phone: +44 1279 63 55 33
 Fax: +44 1279 62 50 29
 Email: sales@jumo.co.uk
 Internet: www.jumo.co.uk

JUMO Process Control, Inc.
 6733 Myers Road
 East Syracuse, NY 13057, USA
 Phone: +1 315 437 5866
 Fax: +1 315 437 5860
 Email: info.us@jumo.net
 Internet: www.jumousa.com



Mechanical features

Materials

Membrane ^a	AISI 316 L (1.4435)
Welding ring ^a	AISI 316 L (1.4404)
O-ring ^a	FPM, EPDM, VMQ ^b
Filling oil	Silicon oil (FDA compliant)

^a Observe the media resistance of the materials.

^b Compliant according to FDA 21 CFR 177.2600, BfR recommendation XV silicone

Environmental influences

Admissible medium temperature	-40 °C to +125 °C
Admissible ambient temperature	-40 to +125 °C (for electrical connections 05 and 24) ^a -25 to +85 °C (for electrical connection 39) ^a
Admissible storage temperature	-40 to +125 °C (for electrical connections 05 and 24) ^a -25 to +85 °C (for electrical connection 39) ^a
Admissible humidity Storage ^b	90 %
Electromagnetic compatibility (EMC) of the integrated ICs: EMC protection ^c GND, U _B , A _{out} SCL, SDA Latch-up immunity (EIA/JESD 78) Emission Cable-bound interference immunity	According to ESD human body model (MIL883, method 3015.7) ≥ 4 kV ≥ 2 kV > ±100 mA Requirements according to IEC 61967 Requirements according to IEC 62132-4 1 to 1000 MHz, error band < ±1 %
Vibration resistance ^d	20 g for 5 to 2000 Hz
Shock resistance ^e	75 g for 11 ms and 100 g for 1 ms
Overvoltage	±40 V
Insulation voltage	AC 500 V
Insulation resistance	> 10 MΩi at DC 50 V

^a ⇒ see chapter "Electrical connection", Page 7

^b Without condensate formation

^c If necessary, further measures must be taken in a terminal device to meet the application-specific EMC requirements.

^d IEC 60068-2-6

^e IEC 60068-2-27

Placing onto market



NOTE

The component not meet the requirements of "equipment with safety function" according to Pressure Equipment Directive 2014/68/EU.

The pressure measuring cell is a component and not an end device and is therefore not subject to application-specific EMC requirements.

Placing the resulting end product onto the market in the European Economic Area (EEA) means that testing according to with standards mentioned, a declaration of conformity, and affixing CE marking can be carried out independently.

JUMO GmbH & Co. KG
 Delivery address: Mackenrodtstraße 14
 36039 Fulda, Germany
 Postal address: 36035 Fulda, Germany
 Phone: +49 661 6003-0
 Fax: +49 661 6003-607
 Email: mail@jumo.net
 Internet: www.jumo.net

JUMO Instrument Co. Ltd.
 JUMO House
 Temple Bank, Riverway
 Harlow, Essex, CM20 2DY, UK
 Phone: +44 1279 63 55 33
 Fax: +44 1279 62 50 29
 Email: sales@jumo.co.uk
 Internet: www.jumo.co.uk

JUMO Process Control, Inc.
 6733 Myers Road
 East Syracuse, NY 13057, USA
 Phone: +1 315 437 5866
 Fax: +1 315 437 5860
 Email: info.us@jumo.net
 Internet: www.jumousa.com

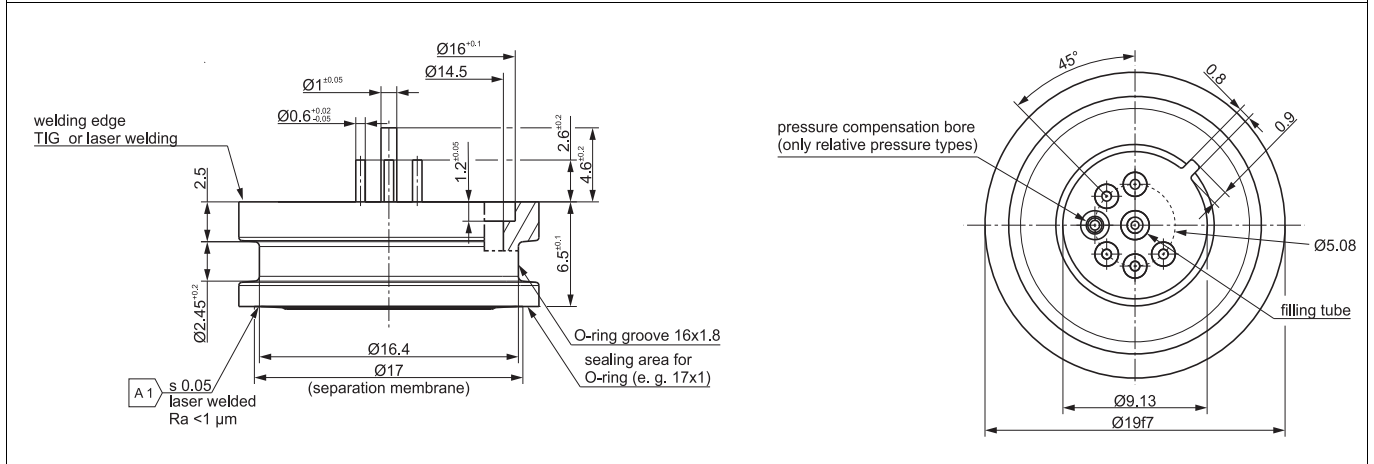


Dimensions

Pressure measuring cell

210, 211, 212, 213

Pressure measuring cell for welding in, with O-ring (EPDM, FPM, VQM)



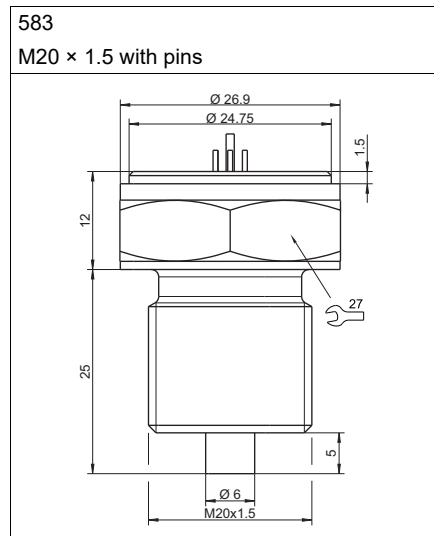
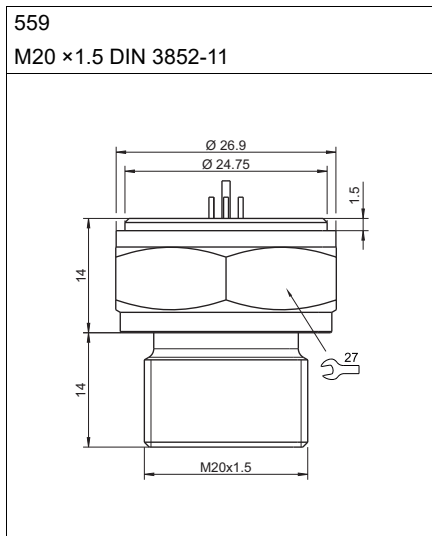
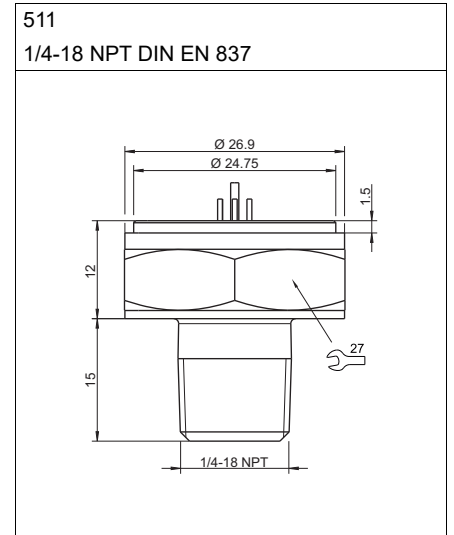
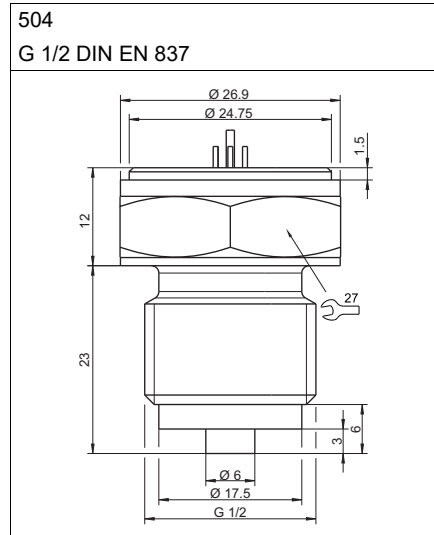
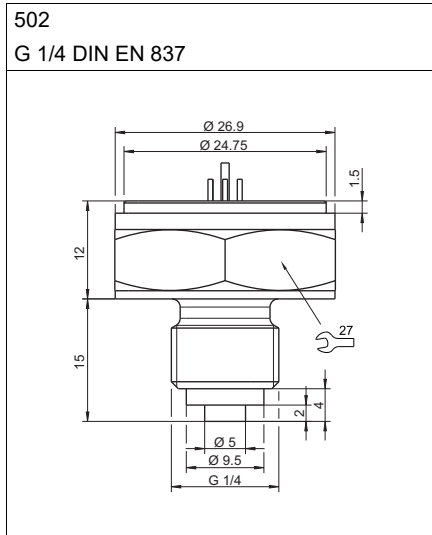
JUMO GmbH & Co. KG
 Delivery address: Mackenrodtstraße 14
 36039 Fulda, Germany
 Postal address: 36035 Fulda, Germany
 Phone: +49 661 6003-0
 Fax: +49 661 6003-607
 Email: mail@jumo.net
 Internet: www.jumo.net

JUMO Instrument Co. Ltd.
 JUMO House
 Temple Bank, Riverway
 Harlow, Essex, CM20 2DY, UK
 Phone: +44 1279 63 55 33
 Fax: +44 1279 62 50 29
 Email: sales@jumo.co.uk
 Internet: www.jumo.co.uk

JUMO Process Control, Inc.
 6733 Myers Road
 East Syracuse, NY 13057, USA
 Phone: +1 315 437 5866
 Fax: +1 315 437 5860
 Email: info.us@jumo.net
 Internet: www.jumousa.com



Process connections



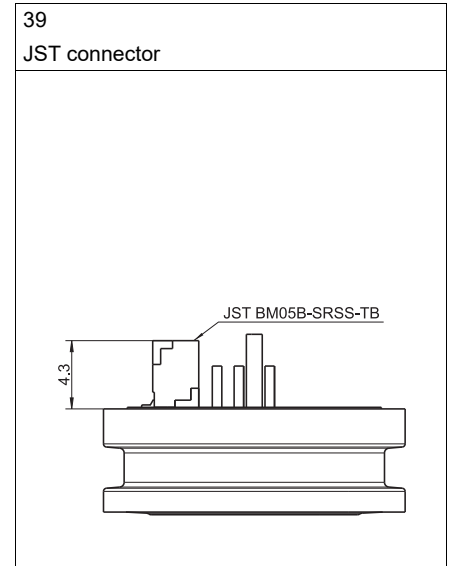
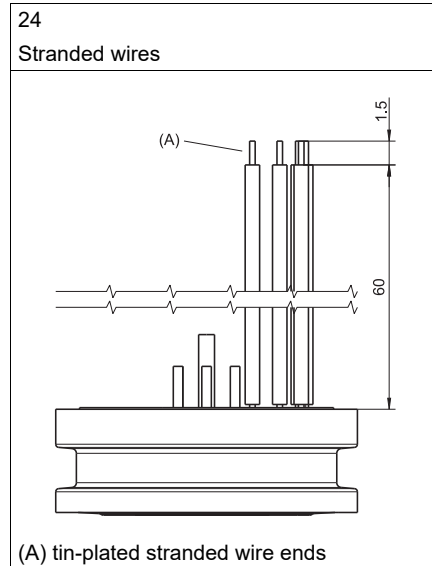
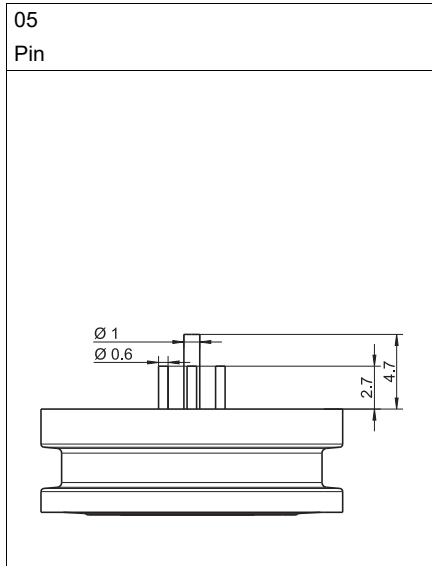
JUMO GmbH & Co. KG
 Delivery address: Mackenrodtstraße 14
 36039 Fulda, Germany
 Postal address: 36035 Fulda, Germany
 Phone: +49 661 6003-0
 Fax: +49 661 6003-607
 Email: mail@jumo.net
 Internet: www.jumo.net

JUMO Instrument Co. Ltd.
 JUMO House
 Temple Bank, Riverway
 Harlow, Essex, CM20 2DY, UK
 Phone: +44 1279 63 55 33
 Fax: +44 1279 62 50 29
 Email: sales@jumo.co.uk
 Internet: www.jumo.co.uk

JUMO Process Control, Inc.
 6733 Myers Road
 East Syracuse, NY 13057, USA
 Phone: +1 315 437 5866
 Fax: +1 315 437 5860
 Email: info.us@jumo.net
 Internet: www.jumousa.com



Electrical connection



JUMO GmbH & Co. KG
 Delivery address: Mackenrodtstraße 14
 36039 Fulda, Germany
 Postal address: 36035 Fulda, Germany
 Phone: +49 661 6003-0
 Fax: +49 661 6003-607
 Email: mail@jumo.net
 Internet: www.jumo.net

JUMO Instrument Co. Ltd.
 JUMO House
 Temple Bank, Riverway
 Harlow, Essex, CM20 2DY, UK
 Phone: +44 1279 63 55 33
 Fax: +44 1279 62 50 29
 Email: sales@jumo.co.uk
 Internet: www.jumo.co.uk

JUMO Process Control, Inc.
 6733 Myers Road
 East Syracuse, NY 13057, USA
 Phone: +1 315 437 5866
 Fax: +1 315 437 5860
 Email: info.us@jumo.net
 Internet: www.jumousa.com



Connection diagram

412			
Electrical connection	05 Pins	24 Stranded wires	39 JST connector (type BM05B-SRSS-TB)
GND	3	Bk	4
U _B	4	Rd	3
SCL	6	Wh	2
SDA	7	Bu	1

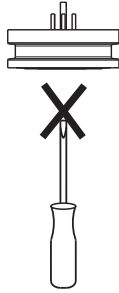
525			
Electrical connection	05 Pins	24 Stranded wires	39 JST connector (type BM05B-SRSS-TB)
A _{out}	2	Ye	5
GND	3	Bk	4
U _B	4	Rd	3
SCL	6	Wh	2
SDA	7	Bu	1



Mounting



NOTE

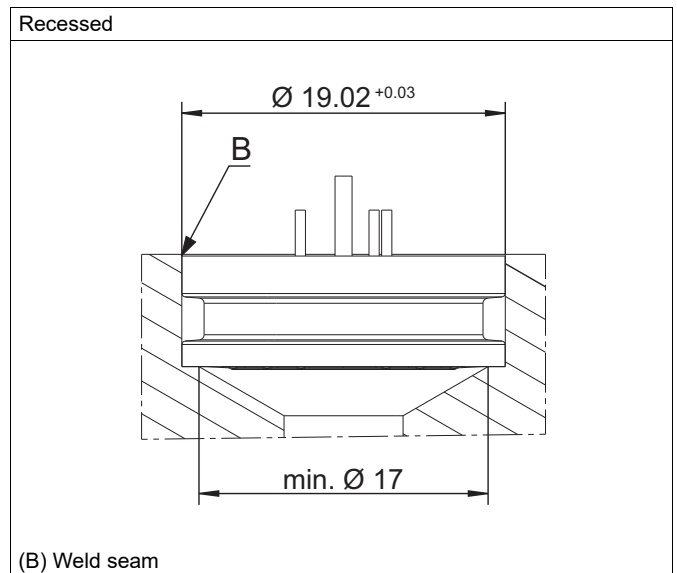
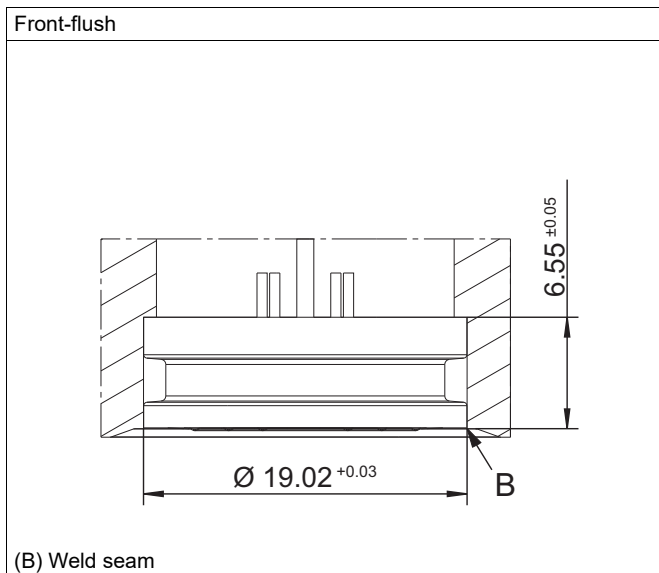


Mechanical damage to the membrane must be avoided at all costs!

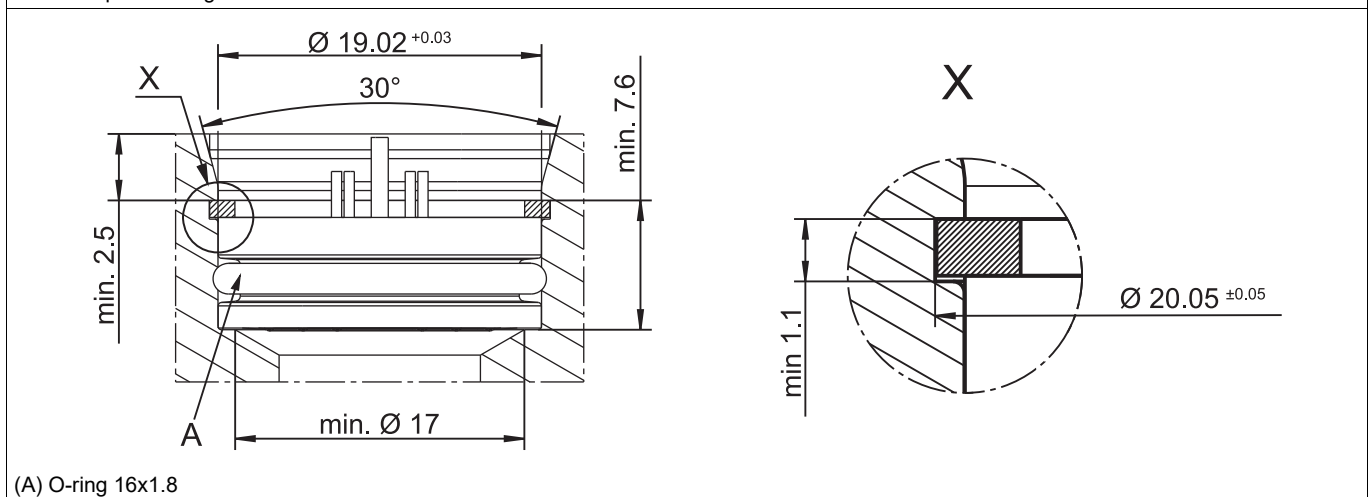
To avoid influencing the signal with the installation, be sure that there is no voltage acting on the membrane. Ideal conditions can be achieved with the following assembly examples.

For a seal with O-rings, prior moistening with suitable lubricant is recommended.

Assembly examples



With circlip according to DIN 472



JUMO GmbH & Co. KG
 Delivery address: Mackenrodtstraße 14
 36039 Fulda, Germany
 Postal address: 36035 Fulda, Germany
 Phone: +49 661 6003-0
 Fax: +49 661 6003-607
 Email: mail@jumo.net
 Internet: www.jumo.net

JUMO Instrument Co. Ltd.
 JUMO House
 Temple Bank, Riverway
 Harlow, Essex, CM20 2DY, UK
 Phone: +44 1279 63 55 33
 Fax: +44 1279 62 50 29
 Email: sales@jumo.co.uk
 Internet: www.jumo.co.uk

JUMO Process Control, Inc.
 6733 Myers Road
 East Syracuse, NY 13057, USA
 Phone: +1 315 437 5866
 Fax: +1 315 437 5860
 Email: info.us@jumo.net
 Internet: www.jumousa.com



Order details

	(1) Basic type
405101	JUMO CEROS S01 M – digital pressure measuring cell
	(2) Basic type extension
000	None
999	Special version
	(3) Input
414	0 to 100 mbar relative pressure
415	0 to 160 mbar relative pressure
417	0 to 250 mbar relative pressure
419	0 to 600 mbar relative pressure
424	0 to 400 mbar relative pressure
454	0 to 1 bar relative pressure
455	0 to 1.6 bar relative pressure
456	0 to 2.5 bar relative pressure
457	0 to 4 bar relative pressure
458	0 to 6 bar relative pressure
459	0 to 10 bar relative pressure
460	0 bar to 16 bar relative pressure
461	0 bar to 25 bar relative pressure
462	0 bar to 40 bar relative pressure
463	0 bar to 60 bar relative pressure
464	0 bar to 100 bar relative pressure
447	-400 to +400 mbar relative pressure
450	-600 to +600 mbar relative pressure
478	-1 to 0 bar relative pressure
479	-1 to +0.6 bar relative pressure
449	-1 bar to +1 bar relative pressure
480	-1 to +1.5 bar relative pressure
481	-1 to +3 bar relative pressure
482	-1 to +5 bar relative pressure
483	-1 to +9 bar relative pressure
484	-1 to +15 bar relative pressure
485	-1 to +24 bar relative pressure
488	0 to 1 bar absolute pressure
489	0 to 1.6 bar absolute pressure
490	0 to 2.5 bar absolute pressure
491	0 to 4 bar absolute pressure
492	0 to 6 bar absolute pressure
493	0 to 10 bar absolute pressure
494	0 to 16 bar absolute pressure
495	0 to 25 bar absolute pressure
505	0 to 40 bar absolute pressure
506	0 to 60 bar absolute pressure
507	0 to 100 bar absolute pressure
998	Special measuring range for absolute pressure
999	Special measuring range for relative pressure

JUMO GmbH & Co. KG
 Delivery address: Mackenrodtstraße 14
 36039 Fulda, Germany
 Postal address: 36035 Fulda, Germany
 Phone: +49 661 6003-0
 Fax: +49 661 6003-607
 Email: mail@jumo.net
 Internet: www.jumo.net

JUMO Instrument Co. Ltd.
 JUMO House
 Temple Bank, Riverway
 Harlow, Essex, CM20 2DY, UK
 Phone: +44 1279 63 55 33
 Fax: +44 1279 62 50 29
 Email: sales@jumo.co.uk
 Internet: www.jumo.co.uk

JUMO Process Control, Inc.
 6733 Myers Road
 East Syracuse, NY 13057, USA
 Phone: +1 315 437 5866
 Fax: +1 315 437 5860
 Email: info.us@jumo.net
 Internet: www.jumousa.com



(4) Measuring cell	
210	Measuring cell for welding in
211	Measuring cell with O-ring, EPDM
212	Measuring cell with O-ring, FPM
213	Measuring cell with O-ring, VMQ
(5) Process connection	
000	No process connection
502	G 1/4 according to DIN EN 837
504	G 1/2 according to DIN EN 837
511	1/4-18 NPT according to DIN EN 837
559	M20 × 1.5 DIN 3852-11
583	M20 × 1.5 with pins
(6) Output	
412	0.5 to 4.5 V, 3-wire
525	I ² C, 4-wire, 5 V supply
(7) Electrical connection	
05	Pin
24	Stranded wires
39	JST connector
(8) Extra codes	
374	Inspection certificate 3.1 DIN EN 10204 material
624	Oil and grease free
982	Surface roughness of parts in contact with media Ra ≤ 0.8 µm
983	Test report

Order code (1) (2) (3) (4) (5) (6) (7) (8) , ...^a
 Order example 405101 / xxx - xxx - xxx - xxx - xxx - xxx / xxx / xxx

^a List extra codes in sequence and separate using commas.

Packaging units



NOTE

The packaging unit for JUMO CEROS pressure measuring cells is specified as 40 pieces.

Accessories

Designation	Part no.
JUMO CEROS S01 M PC setup program Software for extracting process values for calibration and parameterization of the pressure measuring cell	00698970
PC-Interface with Converter USB/I2C TO39	00695325
JUMO CEROS S01 M test set – consisting of: 1 × plastic case with inlay 1 × PC-Interface with Converter USB/I2C TO39	00700565