

JUMO GmbH & Co. KG
 Delivery address: Mackenrodtstraße 14
 36039 Fulda, Germany
 Postal address: 36035 Fulda, Germany
 Phone: +49 661 6003-0
 Fax: +49 661 6003-607
 Email: mail@jumo.net
 Internet: www.jumo.net

JUMO Instrument Co. Ltd.
 JUMO House
 Temple Bank, Riverway
 Harlow, Essex, CM20 2DY, UK
 Phone: +44 1279 63 55 33
 Fax: +44 1279 62 50 29
 Email: sales@jumo.co.uk
 Internet: www.jumo.co.uk

JUMO Process Control, Inc.
 6733 Myers Road
 East Syracuse, NY 13057, USA
 Phone: +1 315 437 5866
 Fax: +1 315 437 5860
 Email: info.us@jumo.net
 Internet: www.jumousa.com



JUMO dTRANS p20

Process pressure transmitter

Brief description

The device with the HART® interface combines maximum precision with simple operation. It is used to measure the system pressure of gas, steam and liquids. The built-in LCD displays measured values and device data. The device can be installed up to zone 0 in the version with explosion protection "Ex ia (intrinsically safe)".

The housing and sensor are manufactured from high-grade stainless steel. Diaphragm seals can also be connected for specific process technology applications (see data sheets 409772 to 409784).

The pressure transmitter can be programmed and can therefore be flexibly adapted for various measuring tasks. There is an easy-to-use setup program available as an accessory for operation via interfaces. A rotary knob allows for quick and easy on-site manual operation.

The pressure transmitter with 4 to 20 mA and HART® protocol was evaluated with regard to functional safety and is certified by TÜV Nord according to DIN EN 61508/-1/-2, edition 2.0. These measuring devices are suitable for monitoring process level and process pressure up to SIL2. Further details can be found in the Safety Manual.

For the "Ex d" explosion protection version, see data sheet 403026.

For the differential pressure version, see data sheet 403022.



Type 403025/0-0-1-...

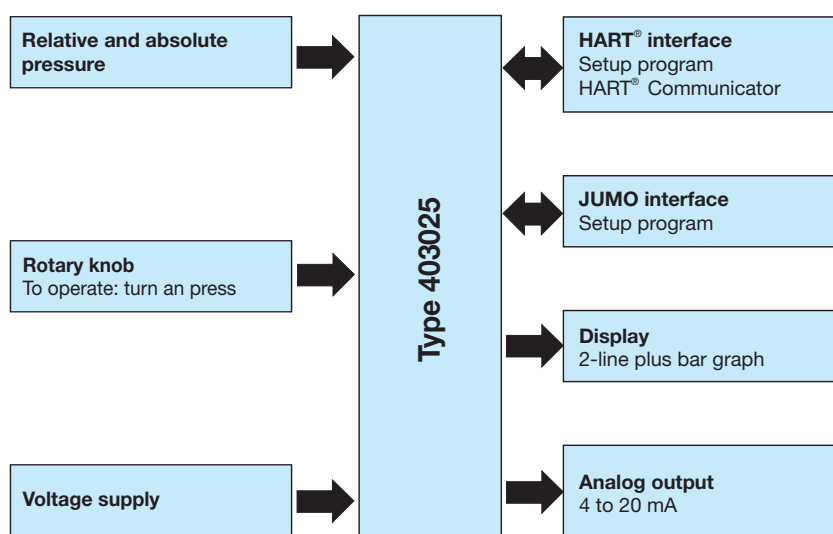


Type 403025/0-0-2-...



Type 403025/0-0-3-...

Block diagram



Special features

- Stainless steel case
- SIL certified (TÜV Nord)
- HART® interface
- Explosion protection Ex ia (gas and dust) according to ATEX, NEPSI, and EAC
- Linearity 0.05 %
- Turn down: 1:50
- Up to 200 °C medium temperature
- Simple operation with rotary knob
- Setup program
- LCD display with bar graph
- Display scaling with a choice of measuring units
- Display of sensor temperature
- Display of minimum and maximum pressures
- Current-generator function

Approvals/approval marks (see "Technical data")



JUMO GmbH & Co. KG
 Delivery address: Mackenrodtstraße 14
 36039 Fulda, Germany
 Postal address: 36035 Fulda, Germany
 Phone: +49 661 6003-0
 Fax: +49 661 6003-607
 Email: mail@jumo.net
 Internet: www.jumo.net

JUMO Instrument Co. Ltd.
 JUMO House
 Temple Bank, Riverway
 Harlow, Essex, CM20 2DY, UK
 Phone: +44 1279 63 55 33
 Fax: +44 1279 62 50 29
 Email: sales@jumo.co.uk
 Internet: www.jumo.co.uk

JUMO Process Control, Inc.
 6733 Myers Road
 East Syracuse, NY 13057, USA
 Phone: +1 315 437 5866
 Fax: +1 315 437 5860
 Email: info.us@jumo.net
 Internet: www.jumousa.com



Technical data

General Information

Reference conditions	DIN EN 60770 and DIN EN 61298
Ambient temperature	22 °C ±5 K
Air pressure	1000 hPa (±25 hPa)
Voltage supply	DC 24 V
Burden	50 Ω
Sensor system	Silicon sensor with stainless steel separating diaphragm/thin film sensor
Pressure transfer medium	
For measuring system filling medium 0	Without transfer medium
For measuring system filling medium 1	Silicon oil, FDA compliant
Admissible load changes	> 10 million
Position	
Mounting position	Any
Calibration position	Device upright, process connection at the bottom
Zero offset depending on position	Relative pressure: a zero offset is possible on-site or via setup. Absolute pressure: manual readjustment is possible.
For medium temperature 1 (up to 120 °C)	≤ 1 mbar
For medium temperature 2 (up to 200 °C)	≤ 10 mbar
Display ^a	LCD, two-line with bar graph
Alignment	Display unit rotatable in 90° steps Housing rotatable ±160°
Size	Display 22 × 35 mm, font size 7 mm, 5 digits
Color	Black
Portrayable measuring units	
Input pressure	mH ₂ O, inH ₂ O, inHg, ftH ₂ O, mmH ₂ O, mmHg, psi, bar, mbar, kg/cm ² , kPa, Torr, MPa
Measured value	% or scaled with freely adjustable measuring unit
Output current	mA
Sensor temperature	°C, °F
Additional display data	Minimum pressure, maximum pressure, error, overrange, underrange, operating hours, device parameters
Operation	
On-site	With rotary knob and LCD
Setup program	Via interface
Interface	
Standard	JUMO interface ^b
For output 410 (4 to 20 mA with HART®)	JUMO interface ^b and HART® interface

^a optional; SIL version only available with display

^b The JUMO interface may not be used in a potentially explosive area! In such a case the device can be operated via the rotary knob or the HART® interface.

JUMO GmbH & Co. KG
 Delivery address: Mackenrodtstraße 14
 36039 Fulda, Germany
 Postal address: 36035 Fulda, Germany
 Phone: +49 661 6003-0
 Fax: +49 661 6003-607
 Email: mail@jumo.net
 Internet: www.jumo.net

JUMO Instrument Co. Ltd.
 JUMO House
 Temple Bank, Riverway
 Harlow, Essex, CM20 2DY, UK
 Phone: +44 1279 63 55 33
 Fax: +44 1279 62 50 29
 Email: sales@jumo.co.uk
 Internet: www.jumo.co.uk

JUMO Process Control, Inc.
 6733 Myers Road
 East Syracuse, NY 13057, USA
 Phone: +1 315 437 5866
 Fax: +1 315 437 5860
 Email: info.us@jumo.net
 Internet: www.jumousa.com



Input

Relative pressure						
Nominal measuring range	-0.6 to +0.6 bar	-1 to +2.5 bar	-1 to +4 bar	-1 to +10 bar		
Overload capability	6 bar	15 bar	30 bar	60 bar		
Burst pressure	12 bar	30 bar	60 bar	100 bar		
Relative pressure						
Nominal measuring range	-1 to +25 bar	-1 to +100 bar	-1 to +250 bar	-1 to +600 bar		
Overload capability	150 bar	300 bar	600 bar	1200 bar		
Burst pressure	250 bar	400 bar	700 bar	2000 bar		
Absolute pressure						
Nominal measuring range	0 to 0.6 bar	0 to 2.5 bar	0 to 4 bar	0 to 10 bar	0 to 25 bar	0 to 100 bar
Overload capability	6 bar	15 bar	30 bar	60 bar	150 bar	300 bar
Burst pressure	12 bar	30 bar	60 bar	100 bar	250 bar	400 bar

Output

analog output For output 405 (4 to 20 mA) For output 410 (4 to 20 mA with HART®) Jump response time T60 Attenuation	4 to 20 mA, 2-wire 4 to 20 mA, two-wire with HART® version 7 (optionally with HART® version 5, extra code 932, always with SIL version) ≤ 190 ms without attenuation Adjustable 0 to 100 s
Burden For output 405 (4 to 20 mA) For output 410 (4 to 20 mA with HART®)	$Burden \leq (U_B - 12 V) \div 0.022 A$ $Burden \leq (U_B - 12 V) \div 0.022 A$; additional: min. 250 Ω , max. 1100 Ω

Voltage supply

For version Explosion protection 0 (without) Explosion protection 1 (ATEX Ex ia)	DC 12 to 36 V DC 12 to 28 V The voltage supply must be intrinsically safe and must not exceed the following maximum values: $U_i \leq DC 28 V$ $I_i \leq 115 mA$ $P_i \leq 750 mW$ $C_i = 6 nF$ $L_i = 105 \mu H$
--	--


JUMO GmbH & Co. KG
 Delivery address: Mackenrodtstraße 14
 36039 Fulda, Germany
 Postal address: 36035 Fulda, Germany
 Phone: +49 661 6003-0
 Fax: +49 661 6003-607
 Email: mail@jumo.net
 Internet: www.jumo.net

JUMO Instrument Co. Ltd.
 JUMO House
 Temple Bank, Riverway
 Harlow, Essex, CM20 2DY, UK
 Phone: +44 1279 63 55 33
 Fax: +44 1279 62 50 29
 Email: sales@jumo.co.uk
 Internet: www.jumo.co.uk

JUMO Process Control, Inc.
 6733 Myers Road
 East Syracuse, NY 13057, USA
 Phone: +1 315 437 5866
 Fax: +1 315 437 5860
 Email: info.us@jumo.net
 Internet: www.jumousa.com



Mechanical features

Process connection Material 20 (stainless steel) Material 82 (stainless steel) Surface	316 L for front-flush process connections Otherwise 316 Ti 2.4819 NiMo $Ra \leq 0.8 \mu m$
Process seal Process connection 571 G 3/4 front-flush) and process connection 652 (tank connection with grooved union nut) Process connection 997 (JUMO PEKA) All other process connections	FPM FDA compliant, see data sheet 409711 No seal
Measuring membranes Material 20 (stainless steel) Material 82 (stainless steel) Surface	1.4542 for -1 to +250 bar relative pressure (measuring range 508) and -1 to +600 bar relative pressure (measuring range 516) Otherwise 316 L 2.4819 NiMo ^a $Ra \leq 0.8 \mu m$
Housing Material Housing 1 (short, stainless steel) Housing 2 (long, stainless steel) Housing 3 (precision casting) Lid 20 (stainless steel) Lid 85 (plastic) Electrical connection 36 (round plug M12 × 1) Electrical connection 82 (cable fitting, plastic) Electrical connection 93 (cable fitting, metal) Operation 0 (without control knob) Operation 1 (with control knob)	Stainless steel 1.4404 Stainless steel 1.4404, VMQ Precision casting 1.4408 Precision casting 1.4408, seal FPM PA, seal FPM Brass nickel-plated PA Brass nickel-plated - PA
Explosion protection Explosion protection 0 (without) Explosion protection 1 (ATEX Ex ia)	The device is not approved for use in an Ex-area. EC type examination certificate SEV 09 ATEX 0138 X  II 1/2G Ex ia IIC T6 ... T3 Ga/Gb II 1/2D Ex ia IIIC T105 °C Da/Db
Weight Type 403025/0-0-1 (housing short) Type 403025/0-0-2 (housing long) Type 403025/0-0-3 (housing precision casting)	Approx. 550 g Approx. 850 g Approx. 1600 g

^a Not available in high-temperature version

JUMO GmbH & Co. KG
 Delivery address: Mackenrodtstraße 14
 36039 Fulda, Germany
 Postal address: 36035 Fulda, Germany
 Phone: +49 661 6003-0
 Fax: +49 661 6003-607
 Email: mail@jumo.net
 Internet: www.jumo.net

JUMO Instrument Co. Ltd.
 JUMO House
 Temple Bank, Riverway
 Harlow, Essex, CM20 2DY, UK
 Phone: +44 1279 63 55 33
 Fax: +44 1279 62 50 29
 Email: sales@jumo.co.uk
 Internet: www.jumo.co.uk

JUMO Process Control, Inc.
 6733 Myers Road
 East Syracuse, NY 13057, USA
 Phone: +1 315 437 5866
 Fax: +1 315 437 5860
 Email: info.us@jumo.net
 Internet: www.jumousa.com



Environmental influences

Admissible temperatures Operation	Version	Temperature class	Maximum medium temperature	Ambient temperature ^a	Expanded ambient temperature (extra code 681) ^{a, b, c}
	Standard		120 °C	-40 to +85 °C	-50 to +85 °C
	High temperature		200 °C	10 to 85 °C ^d	Not available
	II 1/2G Ex ia	T6	60 °C	-40 to +50 °C	-50 to +50 °C
		T5	70 °C	-40 to +65 °C	-50 to +65 °C
		T4	115 °C	-40 to +85 °C	-50 to +85 °C
		T3 ^e	175 °C	10 to 85 °C	Not available
II 1/2D Ex ia	T105 °C	100 °C	-40 to +60 °C	-50 to +60 °C	
Storage	-40 to +85 °C				
Admissible humidity Operation Storage	100 % including condensation on the device outer case 90 % without condensation				
Admissible mechanical load Vibration strength Shock resistance	2 g, 10 to 2000 Hz according to DIN EN 60068-2-6 15 g for 6 ms according to IEC 60068-2-27				
Electromagnetic compatibility Interference emission Interference immunity	According to EN 61326 Class B ^f Industry				
Protection type For version Explosion protection 0 (without) Explosion protection 1 (ATEX Ex ia)	IP66/67 according to DIN 60529 IP66 according to DIN 60529				

^a Under -20 °C limited function: stationary use, increased danger of cable break, display without function; under -30 °C operation of the device not possible.

^b In the range from -40 to -50 °C the device must be permanently in operation. Furthermore, the lid with the device inspection glass must additionally be protected against mechanical impact and shocks. Please contact JUMO for further details.

^c Without SIL

^d Low ambient temperatures up to -40 °C are possible, but with limited accuracy.

^e Only for high-temperature version (medium temperature 2)

^f The product is suitable for industrial use as well as for households and small businesses.

JUMO GmbH & Co. KG
 Delivery address: Mackenrodtstraße 14
 36039 Fulda, Germany
 Postal address: 36035 Fulda, Germany
 Phone: +49 661 6003-0
 Fax: +49 661 6003-607
 Email: mail@jumo.net
 Internet: www.jumo.net

JUMO Instrument Co. Ltd.
 JUMO House
 Temple Bank, Riverway
 Harlow, Essex, CM20 2DY, UK
 Phone: +44 1279 63 55 33
 Fax: +44 1279 62 50 29
 Email: sales@jumo.co.uk
 Internet: www.jumo.co.uk

JUMO Process Control, Inc.
 6733 Myers Road
 East Syracuse, NY 13057, USA
 Phone: +1 315 437 5866
 Fax: +1 315 437 5860
 Email: info.us@jumo.net
 Internet: www.jumousa.com



Accuracy

Including non-linearity, hysteresis, non-repeatability, zero point and final value deviation (corresponds to measurement deviations according to IEC 61298-2), calibrated at vertical installation position with the process connection at the bottom

Relative pressure				
Nominal measuring range	-0.6 to +0.6 bar	-1 to +2.5 bar ^a	-1 to +4 bar	-1 to +10 bar ^a
Default measuring range	0 to 0.6 bar	0 to 2.5 bar	0 to 4 bar	0 to 10 bar
Smallest MSP ^b	0.06 bar	0.1 bar	0.1 bar	0.5 bar
Turndown ratio (r) ^c	r ≤ 20	r ≤ 50	r ≤ 50	r ≤ 50
Non-linearity for reference conditions ^d	0.06 %	0.04 %	0.04 %	0.04 %
Accuracy in % of the set MSP Range: -20 to +60 °C	r × 0.12 % for 1 ≤ r ≤ 20	r × 0.08 % for 1 ≤ r ≤ 50	r × 0.08 % for 1 ≤ r ≤ 50	r × 0.08 % for 1 ≤ r ≤ 50
Accuracy in % of the set MSP Range: -40 to -20 °C or 60 to 85 °C	r × 0.18 % for 1 ≤ r ≤ 20 ^e	r × 0.12 % for 1 ≤ r ≤ 50	r × 0.12 % for 1 ≤ r ≤ 50	r × 0.12 % for 1 ≤ r ≤ 50
Long-term stability in % as of the nominal measuring range	0.1 %/year			
Relative pressure				
Nominal measuring range	-1 to +25 bar	-1 to +100 bar	-1 to +250 bar ^a	-1 to +600 bar ^a
Default measuring range	0 to 25 bar	0 to 100 bar	0 to 250 bar	0 to 600 bar
Smallest MSP	0.5 bar	5 bar	12.5 bar	30 bar
Turndown ratio (r) ^c	r ≤ 52	r ≤ 20	r ≤ 20	r ≤ 20
Non-linearity for reference conditions ^d	0.04 %	0.04 %	0.04 %	0.08 %
Accuracy in % of the set MSP Range: -20 to +60 °C	r × 0.08 % for 1 ≤ r ≤ 52	r × 0.08 % for 1 ≤ r ≤ 20	r × 0.08 % for 1 ≤ r ≤ 20	r × 0.16 % for 1 ≤ r ≤ 20
Accuracy in % of the set MSP Range: -40 to -20 °C or 60 to 85 °C	r × 0.12 % for 1 ≤ r ≤ 52	r × 0.12 % for 1 ≤ r ≤ 20	r × 0.12 % for 1 ≤ r ≤ 20	r × 0.24 % for 1 ≤ r ≤ 20
Long-term stability in % as of the nominal measuring range	0.1 %/year			

JUMO GmbH & Co. KG
 Delivery address: Mackenrodtstraße 14
 36039 Fulda, Germany
 Postal address: 36035 Fulda, Germany
 Phone: +49 661 6003-0
 Fax: +49 661 6003-607
 Email: mail@jumo.net
 Internet: www.jumo.net

JUMO Instrument Co. Ltd.
 JUMO House
 Temple Bank, Riverway
 Harlow, Essex, CM20 2DY, UK
 Phone: +44 1279 63 55 33
 Fax: +44 1279 62 50 29
 Email: sales@jumo.co.uk
 Internet: www.jumo.co.uk

JUMO Process Control, Inc.
 6733 Myers Road
 East Syracuse, NY 13057, USA
 Phone: +1 315 437 5866
 Fax: +1 315 437 5860
 Email: info.us@jumo.net
 Internet: www.jumousa.com



Absolute pressure				
Nominal measuring range	0 to 0.6 bar	0 to 2.5 bar ^a	0 to 4 bar	0 to 10 bar ^a
Default measuring range	0 to 0.6 bar	0 to 2.5 bar	0 to 4 bar	0 to 10 bar
Smallest MSP ^b	0.06 bar	0.1 bar	0.1 bar	0.5 bar
Turndown ratio (r) ^c	r ≤ 10	r ≤ 20	r ≤ 40	r ≤ 20
Non-linearity for reference conditions ^d	0.12 %	0.04 %	0.04 %	0.04 %
Accuracy in % of the set MSP Range: -20 to +60 °C	r × 0.24 % for 1 ≤ r ≤ 10	r × 0.08 % for 1 ≤ r ≤ 20	r × 0.08 % for 1 ≤ r ≤ 40	r × 0.08 % for 1 ≤ r ≤ 20
Accuracy in % of the set MSP Range: -40 to -20 °C or 60 to 85 °C	r × 0.36 % for 1 ≤ r ≤ 10 ^e	r × 0.16 % for 1 ≤ r ≤ 20	r × 0.16 % for 1 ≤ r ≤ 40	r × 0.16 % for 1 ≤ r ≤ 20
Long-term stability in % as of the nominal measuring range	0.1 %/year			
Absolute pressure				
Nominal measuring range	0 to 25 bar	0 to 100 bar		
Default measuring range	0 to 25 bar	0 to 100 bar		
Smallest MSP ^b	0.5 bar	5 bar		
Turndown ratio (r) ^c	r ≤ 50	r ≤ 20		
Non-linearity for reference conditions ^d	0.04 %	0.04 %		
Accuracy in % of the set MSP Range: -20 to +60 °C	r × 0.08 % for 1 ≤ r ≤ 50	r × 0.08 % for 1 ≤ r ≤ 20		
Accuracy in % of the set MSP Range: -40 to -20 °C or 60 to 85 °C	r × 0.16 % for 1 ≤ r ≤ 50	r × 0.12 % for 1 ≤ r ≤ 20		
Long-term stability in % as of the nominal measuring range	0.1 %/year			

^a Without SIL

^b MSP = measuring span

^c r = span of the nominal measuring range ÷ adjusted measuring span

^d Reference conditions: ambient temperature 20 °C (±3 K), air pressure 1000 hPa (±25 hPa)

^e Only up to -30 °C

Approvals/approval marks

Approval mark	Test facility	Certificates/certification numbers	Inspection basis	Valid for
ATEX	Electrosuisse	SEV 09 ATEX 0138 X	EN 60079-0 EN 60079-11 EN 60079-26	403025/x-1-...
DNV GL	DNV GL	TAA00001KB	DNV GL CG-0339, November-2016	403025/x-1-.../880
EAC	RU	RU C-DE.ME92.B.00440	-	Extra code 226
SIL	TÜV Nord (German Technical Inspection Agency)	No. SEBS-A. 140944/16 V1.0	DIN EN 61508/-1/-2	Basic type extension 2 and 3

JUMO GmbH & Co. KG
 Delivery address: Mackenrodtstraße 14
 36039 Fulda, Germany
 Postal address: 36035 Fulda, Germany
 Phone: +49 661 6003-0
 Fax: +49 661 6003-607
 Email: mail@jumo.net
 Internet: www.jumo.net

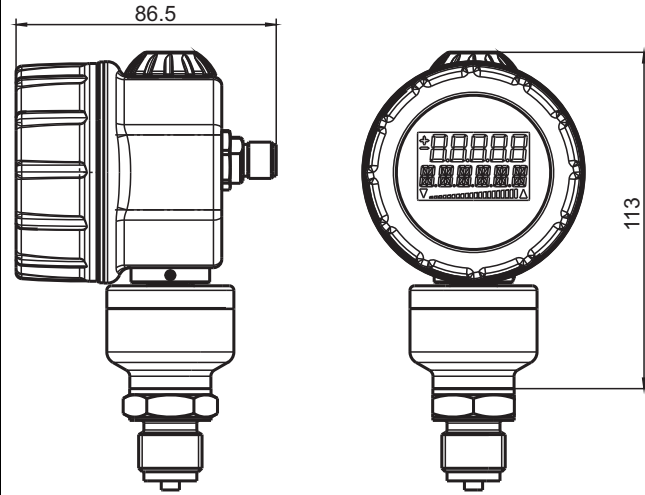
JUMO Instrument Co. Ltd.
 JUMO House
 Temple Bank, Riverway
 Harlow, Essex, CM20 2DY, UK
 Phone: +44 1279 63 55 33
 Fax: +44 1279 62 50 29
 Email: sales@jumo.co.uk
 Internet: www.jumo.co.uk

JUMO Process Control, Inc.
 6733 Myers Road
 East Syracuse, NY 13057, USA
 Phone: +1 315 437 5866
 Fax: +1 315 437 5860
 Email: info.us@jumo.net
 Internet: www.jumousa.com

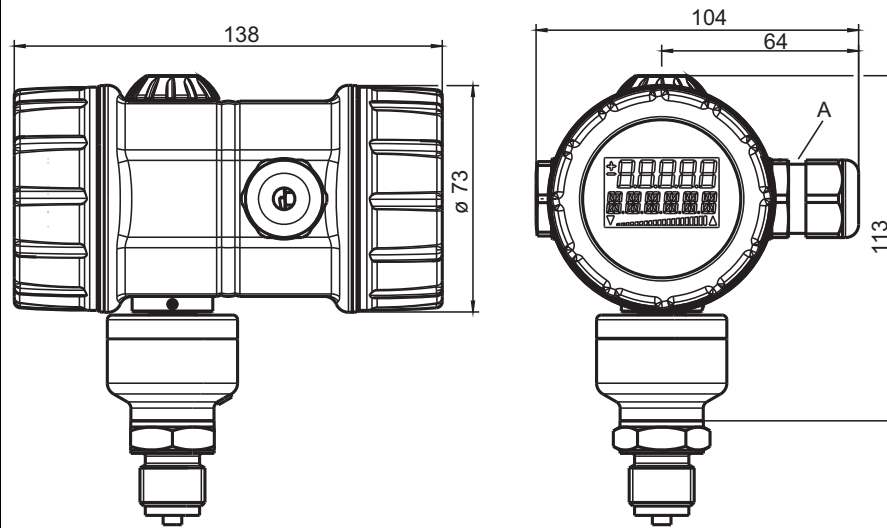


Dimensions

Type 403025/0-0-1 (short, stainless steel, with M12 connection)



Type 403025/0-0-2 (long, stainless steel, with cable fitting)



A M20 × 1.5 cable fitting

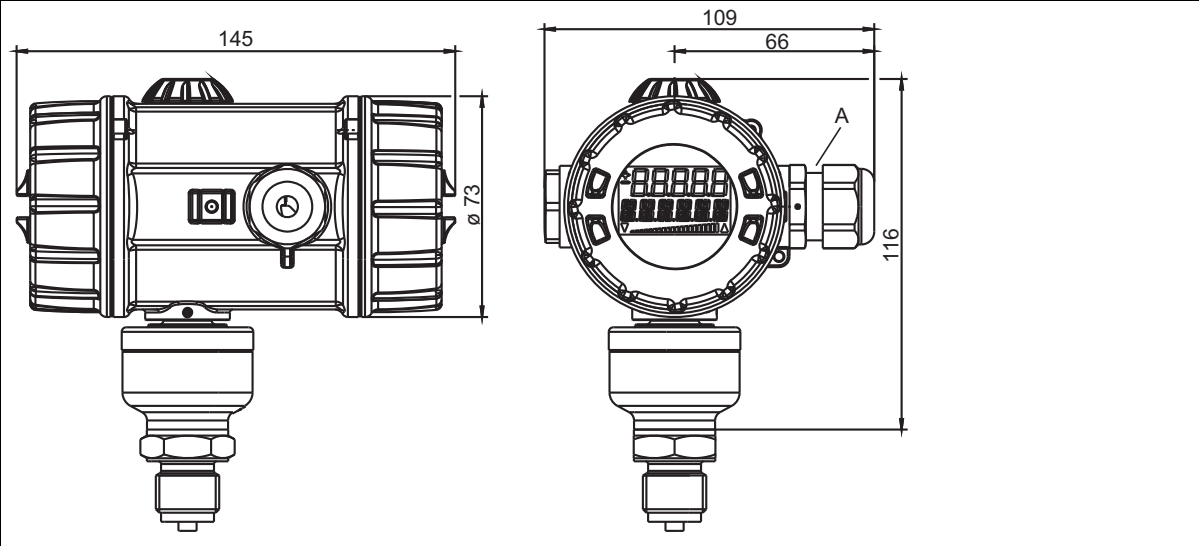
JUMO GmbH & Co. KG
 Delivery address: Mackenrodtstraße 14
 36039 Fulda, Germany
 Postal address: 36035 Fulda, Germany
 Phone: +49 661 6003-0
 Fax: +49 661 6003-607
 Email: mail@jumo.net
 Internet: www.jumo.net

JUMO Instrument Co. Ltd.
 JUMO House
 Temple Bank, Riverway
 Harlow, Essex, CM20 2DY, UK
 Phone: +44 1279 63 55 33
 Fax: +44 1279 62 50 29
 Email: sales@jumo.co.uk
 Internet: www.jumo.co.uk

JUMO Process Control, Inc.
 6733 Myers Road
 East Syracuse, NY 13057, USA
 Phone: +1 315 437 5866
 Fax: +1 315 437 5860
 Email: info.us@jumo.net
 Internet: www.jumousa.com



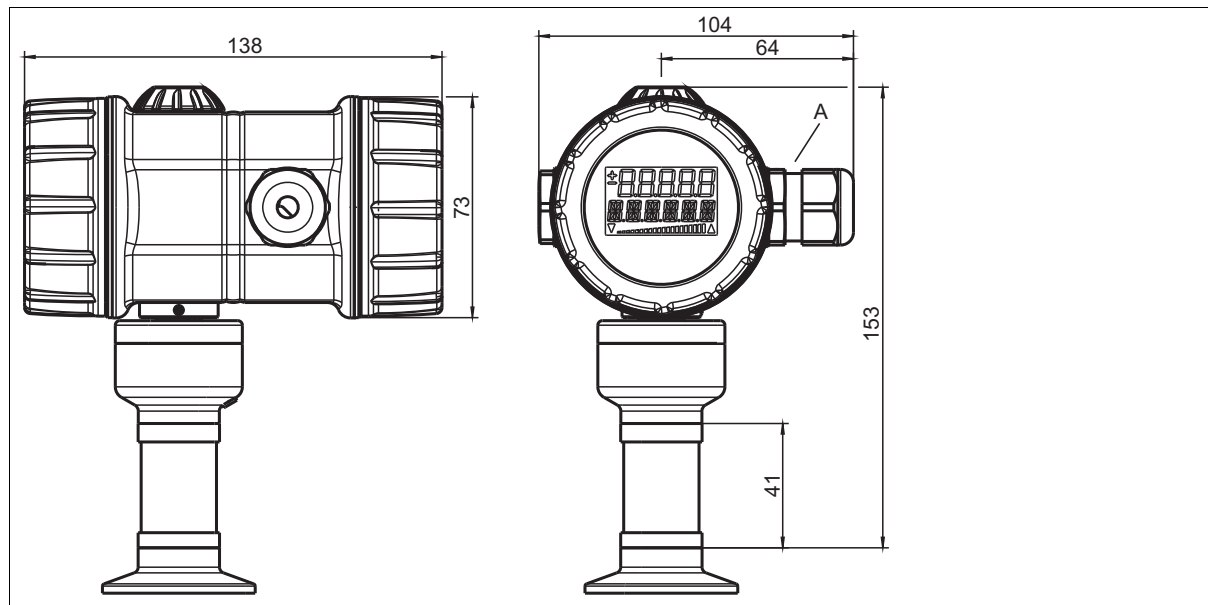
Type 403025/0-0-3 (precision casting, with cable fitting)



A M20 × 1.5 cable fitting

Dimensions at medium temperature 2 (high-temperature version)

Pressure transmitters that are suitable for medium temperatures up to 200 °C have an extended shaft through which the increased temperature is discharged. The total height of all pressure transmitters in this version increases by 41 mm as shown in the following figure.



A M20 × 1.5 cable fitting

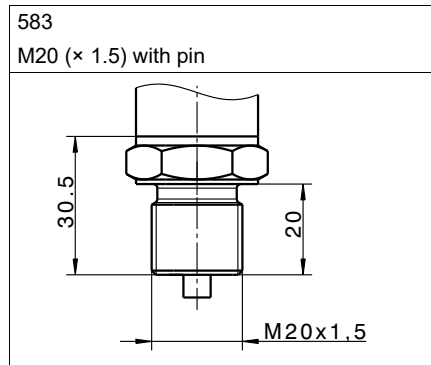
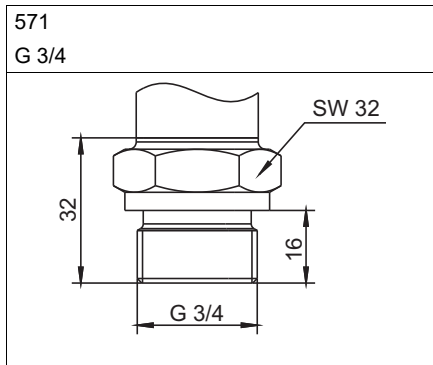
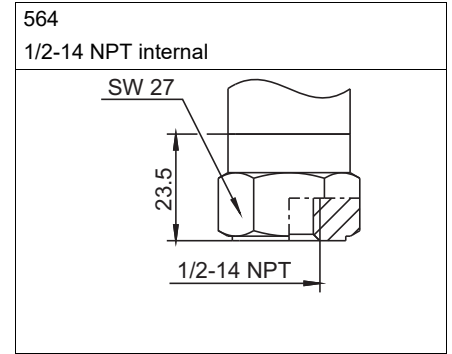
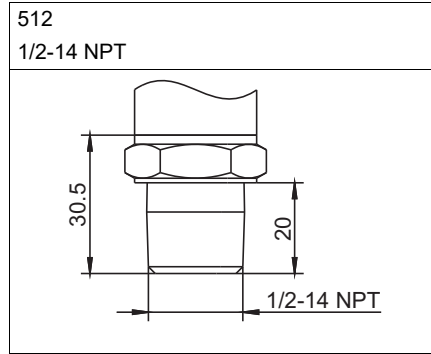
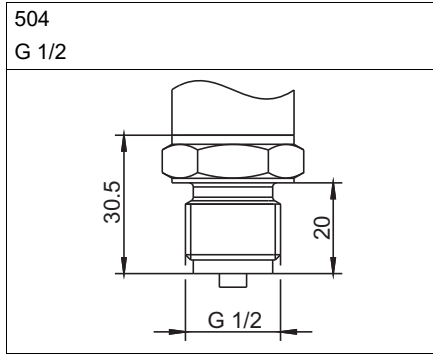
JUMO GmbH & Co. KG
 Delivery address: Mackenrodtstraße 14
 36039 Fulda, Germany
 Postal address: 36035 Fulda, Germany
 Phone: +49 661 6003-0
 Fax: +49 661 6003-607
 Email: mail@jumo.net
 Internet: www.jumo.net

JUMO Instrument Co. Ltd.
 JUMO House
 Temple Bank, Riverway
 Harlow, Essex, CM20 2DY, UK
 Phone: +44 1279 63 55 33
 Fax: +44 1279 62 50 29
 Email: sales@jumo.co.uk
 Internet: www.jumo.co.uk

JUMO Process Control, Inc.
 6733 Myers Road
 East Syracuse, NY 13057, USA
 Phone: +1 315 437 5866
 Fax: +1 315 437 5860
 Email: info.us@jumo.net
 Internet: www.jumousa.com



Process connections



JUMO GmbH & Co. KG
 Delivery address: Mackenrodtstraße 14
 36039 Fulda, Germany
 Postal address: 36035 Fulda, Germany
 Phone: +49 661 6003-0
 Fax: +49 661 6003-607
 Email: mail@jumo.net
 Internet: www.jumo.net

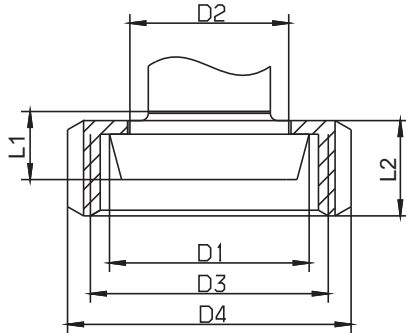
JUMO Instrument Co. Ltd.
 JUMO House
 Temple Bank, Riverway
 Harlow, Essex, CM20 2DY, UK
 Phone: +44 1279 63 55 33
 Fax: +44 1279 62 50 29
 Email: sales@jumo.co.uk
 Internet: www.jumo.co.uk

JUMO Process Control, Inc.
 6733 Myers Road
 East Syracuse, NY 13057, USA
 Phone: +1 315 437 5866
 Fax: +1 315 437 5860
 Email: info.us@jumo.net
 Internet: www.jumousa.com



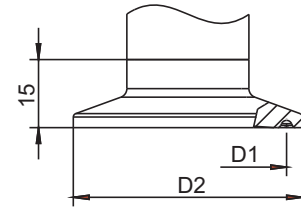
604 and 606

Taper socket with grooved union nut according to DIN 11851



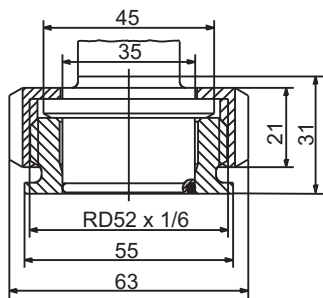
613 and 616

Clamp according to DIN 32676



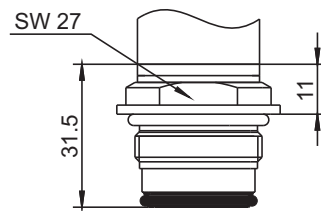
652

Tank connection with grooved union nut
 DN 25



997

JUMO PEKA



Dimensions of the process connections 604, 606, 613, and 616

Connection	DN	D1	D2	D3	D4	L1	L2
604	25	Ø 44	Ø 35	Rd 52 × 1/6"	Ø 63	15	21
606	40	Ø 56	Ø 48	Rd 65 × 1/6"	Ø 78		
613	25	Ø 43,5	Ø 50,5				
616	50	Ø 56,5	Ø 64				

JUMO GmbH & Co. KG
 Delivery address: Mackenrodtstraße 14
 36039 Fulda, Germany
 Postal address: 36035 Fulda, Germany
 Phone: +49 661 6003-0
 Fax: +49 661 6003-607
 Email: mail@jumo.net
 Internet: www.jumo.net

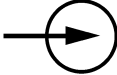
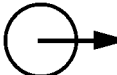

JUMO Instrument Co. Ltd.
 JUMO House
 Temple Bank, Riverway
 Harlow, Essex, CM20 2DY, UK
 Phone: +44 1279 63 55 33
 Fax: +44 1279 62 50 29
 Email: sales@jumo.co.uk
 Internet: www.jumo.co.uk

JUMO Process Control, Inc.
 6733 Myers Road
 East Syracuse, NY 13057, USA
 Phone: +1 315 437 5866
 Fax: +1 315 437 5860
 Email: info.us@jumo.net
 Internet: www.jumousa.com

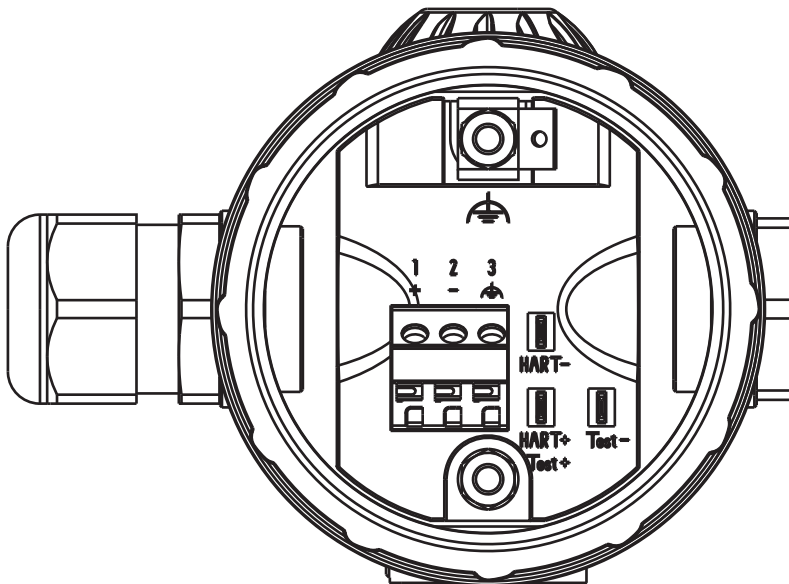


Connection diagram

The connection diagram in the data sheet provides preliminary information about the connection options. For the electrical connection, only use the installation instructions or the operating manual. The knowledge and the correct technical compliance with the safety information and warnings contained in these documents are mandatory for mounting, electrical connection, and startup as well as for safety during operation.

Connection	Terminal assignment	
	82 (plastic), 93 (metal) Cable gland	36 Round plug M12 × 1
Voltage supply DC 12 to 36 V for none Ex version DC 12 to 28 V for Ex version		1 L+ 2 L-
Output 4 to 20 mA, two-wire Impressed current 4 to 20 mA in voltage supply		1 L+ 2 L-
Current output test connection Inherent resistance of ammeter ≤ 10 Ω		TEST + TEST -
HART® test connection Burden must be present!		HART + HART -
Functional ground		3 4

Cable fitting



Round plug M12 × 1



JUMO GmbH & Co. KG
 Delivery address: Mackenrodtstraße 14
 36039 Fulda, Germany
 Postal address: 36035 Fulda, Germany
 Phone: +49 661 6003-0
 Fax: +49 661 6003-607
 Email: mail@jumo.net
 Internet: www.jumo.net

JUMO Instrument Co. Ltd.
 JUMO House
 Temple Bank, Riverway
 Harlow, Essex, CM20 2DY, UK
 Phone: +44 1279 63 55 33
 Fax: +44 1279 62 50 29
 Email: sales@jumo.co.uk
 Internet: www.jumo.co.uk

JUMO Process Control, Inc.
 6733 Myers Road
 East Syracuse, NY 13057, USA
 Phone: +1 315 437 5866
 Fax: +1 315 437 5860
 Email: info.us@jumo.net
 Internet: www.jumousa.com



Order details

	(1) Basic type
403025	JUMO dTRANS p20 - process pressure transmitter
	(2) Basic type extension
0	None
2	SIL ^a
3	SIL, customer-specific ^a
9	Special version
	(3) Explosion protection
0	None
1	ATEX Ex ia ^b
	(4) Housing
1	Short, stainless steel, with M12 connection ^c
2	Long, stainless steel, with cable fitting
3	Precision casting, with cable fitting
	(5) Electrical connection
36	Round plug M12 × 1
82	Plastic cable fitting
93	Metal cable fitting
	(6) Cover material
20	CrNi (stainless steel)
85	Plastic
	(7) Display
0	None
1	With display (LCD)
	(8) Operation
0	None
1	With control knob
	(9) Input – nominal measuring range
450	-600 to +600 mbar relative pressure
473	-1 to +2.5 bar relative pressure ^d
513	-1 to +4 bar relative pressure
472	-1 to +10 bar relative pressure ^d
514	-1 to +25 bar relative pressure
515	-1 to +100 bar relative pressure ^e
508	-1 to +250 bar relative pressure ^{d, f}
516	-1 to +600 bar relative pressure ^{d, f}
487	0 to 600 mbar absolute pressure
490	0 to 2.5 bar absolute pressure ^d
491	0 to 4 bar absolute pressure
493	0 to 10 bar absolute pressure ^d
495	0 to 25 bar absolute pressure
507	0 to 100 bar absolute pressure ^e
	(10) Output
405	4 to 20 mA, two-wire ^d
410	4 to 20 mA, two-wire with HART® protocol
	(11) Process connection
504	G 1/2 according to DIN EN 837
512	1/2-14 NPT according to DIN EN 837
564	1/2-14 NPT internal

JUMO GmbH & Co. KG

Delivery address: Mackenrodtstraße 14
36039 Fulda, Germany
Postal address: 36035 Fulda, Germany
Phone: +49 661 6003-0
Fax: +49 661 6003-607
Email: mail@jumo.net
Internet: www.jumo.net

JUMO Instrument Co. Ltd.

JUMO House
Temple Bank, Riverway
Harlow, Essex, CM20 2DY, UK
Phone: +44 1279 63 55 33
Fax: +44 1279 62 50 29
Email: sales@jumo.co.uk
Internet: www.jumo.co.uk

JUMO Process Control, Inc.

6733 Myers Road
East Syracuse, NY 13057, USA
Phone: +1 315 437 5866
Fax: +1 315 437 5860
Email: info.us@jumo.net
Internet: www.jumousa.com



Accessories

Designation	Part no.
PC interface with USB/TTL converter ^a	00456352
HART® modem USB ^b	00443447
4-pole cable box, straight, M12 × 1 with 2 m PVC cable	00404585
4-pole cable box, angled, M12 × 1 with 2 m PVC cable	00409334
5-pole cable box, straight, M12 × 1, without a cable	00419130
5-pole cable box, angled, M12 × 1, without a cable	00419133
Measuring device holder for wall and 2" pipe	00597711

Designation	Data sheet
Valve manifolds	409706
JUMO PEKA – Hygienic process connection	409711
Diaphragm seal with dairy pipe fitting DIN 11851	409772
Diaphragm seal with clamp connection	409774
Diaphragm seal with DRD flange or VARIVENT® socket	409776
Diaphragm seal with ISS/SMS/RJT socket and (grooved) union nut	409778
Membrane diaphragm seal 4MDV-10	409780
Diaphragm seal with screw-in thread DIN ISO 228/1 or ANSI B1.201	409782
Diaphragm seal with flange connection DIN EN 1092-1 with sealing strip form B1	409784
Diaphragm seal with flange connection according to ANSI B 16.5 with sealing strip form RF	409786
Ex-i repeater power supply/input isolating amplifier	707530

^a The PC interface cable is the connection between the JUMO interface of the differential pressure transmitter and the USB interface of a PC.

^b The HART® modem is the connection between the HART® interface of the differential pressure transmitter and the USB interface of a PC.

Software

Description	Part no.
JUMO setup dTRANS p20 series	00537577
JUMO dTRANS p20 series, DD (device description)	Upon request
JUMO dTRANS p20 series, DTM (device type manager)	Upon request