

JUMO GmbH & Co. KG
 Delivery address: Mackenrodtstraße 14
 36039 Fulda, Germany
 Postal address: 36035 Fulda, Germany
 Phone: +49 661 6003-0
 Fax: +49 661 6003-607
 Email: mail@jumo.net
 Internet: www.jumo.net

JUMO Instrument Co. Ltd.
 JUMO House
 Temple Bank, Riverway
 Harlow, Essex, CM20 2DY, UK
 Phone: +44 1279 63 55 33
 Fax: +44 1279 62 50 29
 Email: sales@jumo.co.uk
 Internet: www.jumo.co.uk

JUMO Process Control, Inc.
 6724 Joy Road
 East Syracuse, NY 13057, USA
 Phone: +1 315 437 5866
 Fax: +1 315 437 5860
 Email: info.us@jumo.net
 Internet: www.jumousa.com



JUMO SIRAS P21 DP

Differential pressure transmitter

Brief description

The purpose of the device is to measure pressure and fill level, monitor minimum, maximum, and range values of gases and liquids without solids content, as well as measuring flow according to the differential pressure principle. It provides highly accurate measurements and readings, and is easy to use. The housing and sensor are manufactured from high-grade stainless steel. The device can be programmed via the rotary knob and the LCD display or via the HART® interface using a handheld device or using a PC. This enables you to adapt the device for various different types of measuring tasks. For operation via the HART® interface, there is a specially developed Windows™-based software that you can use.

The pressure transmitter with 4 to 20 mA and HART® protocol has been assessed in terms of functional safety and is certified by TÜV Nord according to DIN EN 61508/-1/-2/-3, edition 2.0. These measuring devices are suitable for process fill level monitoring and process pressure monitoring up to SIL 2. Please see the Safety Manual for further information on this topic.

Pressure transmitter version, see data sheet 403028.



Type 403024/0-0-1-...

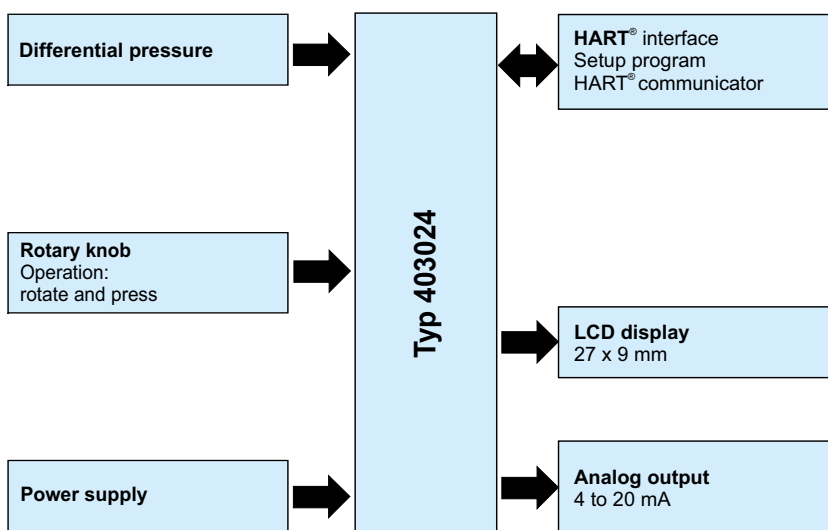


Type 403024/0-0-2-...



Type 403024/0-0-4-...

Block diagram



Special features

- Stainless steel housing
- SIL certified (TÜV Nord)
- HART® interface
- Explosion protection Ex ia (gas and dust) according to ATEX, NEPSI, and EAC – in preparation
- Linearity 0.05 %
- Turn down: 1:50
- -40 to +85 °C medium temperature
- Simple operation with rotary knob
- setup program
- LCD display with bar graph
- Display scaling with selectable measuring units
- Displays sensor temperature, minimum pressure, maximum pressure, output current, fill level, flow, (including bidirectionally), via HART® interface: electronics temperature and operating voltage

Approvals and approval marks (see technical data)



JUMO GmbH & Co. KG
 Delivery address: Mackenrodtstraße 14
 36039 Fulda, Germany
 Postal address: 36035 Fulda, Germany
 Phone: +49 661 6003-0
 Fax: +49 661 6003-607
 Email: mail@jumo.net
 Internet: www.jumo.net

JUMO Instrument Co. Ltd.
 JUMO House
 Temple Bank, Riverway
 Harlow, Essex, CM20 2DY, UK
 Phone: +44 1279 63 55 33
 Fax: +44 1279 62 50 29
 Email: sales@jumo.co.uk
 Internet: www.jumo.co.uk

JUMO Process Control, Inc.
 6724 Joy Road
 East Syracuse, NY 13057, USA
 Phone: +1 315 437 5866
 Fax: +1 315 437 5860
 Email: info.us@jumo.net
 Internet: www.jumousa.com



Technical data

General Information

Reference conditions	DIN EN 60770 and DIN EN 61298
Ambient temperature	25 °C ±5 °C
Humidity	5 - 80 % RH ±5 %
Ambient pressure	Constant, 860 to 1060 mbar (12.47 to 15.37 psi)
Position of measuring cell	Horizontal ±1°
Voltage supply	24 V DC ±3 V DC
Sensor system	Silicon sensor with separating membrane made from stainless steel
Pressure transfer medium	
For measuring system filling medium 1	Silicon oil
For measuring system filling medium 2	Halogenized filling oil
Admissible load changes	> 10 million
Position	
Installation position	Any
Calibration position	Device upright, process connection at the side on the pressure measuring cell
Position-dependent zero offset	Relative pressure: zero point correction is possible on-site or via setup Absolute pressure: manual readjustment is possible
Display	Dotmatrix LCD with 96 x 32 pixels, 7-segment digit display for pressure and temperature, pictograms for SIL, warning triangle, configuration locking, LED backlight, bargraph with 20 segments for analog output
Languages	German; English; French; Spanish, Russian
Alignment	Horizontal, can be rotated in 90° angle increments Housing rotatable by ±160°
Large display area	27 x 9 mm, font size 9 mm, 5-digit
Font color	Black
Displayable measuring units	
Input pressure	inH ₂ O, inHG, ftH ₂ O, mmH ₂ O, mmHG, psi, bar, mbar, kg/cm ² , kPa, TORR, MPa, mH ₂ O
Measured value	% or scaled with configured pressure unit, fill level measurement unit, or flow unit
Output current	mA
Sensor temperature	°C, °F
Additional display data	Minimum pressure, maximum pressure, errors, measuring range overflow Measuring range underflow, operating hours, device parameters
Operation on site setup program	With rotary knob and LCD Via HART® interface
Interface	Two-wire 4 to 20 mA with overlaid HART® signal, HART® protocol version 7 HART® signal is for configuration and remote diagnosis

JUMO GmbH & Co. KG
 Delivery address: Mackenrodtstraße 14
 36039 Fulda, Germany
 Postal address: 36035 Fulda, Germany
 Phone: +49 661 6003-0
 Fax: +49 661 6003-607
 Email: mail@jumo.net
 Internet: www.jumo.net

JUMO Instrument Co. Ltd.
 JUMO House
 Temple Bank, Riverway
 Harlow, Essex, CM20 2DY, UK
 Phone: +44 1279 63 55 33
 Fax: +44 1279 62 50 29
 Email: sales@jumo.co.uk
 Internet: www.jumo.co.uk

JUMO Process Control, Inc.
 6724 Joy Road
 East Syracuse, NY 13057, USA
 Phone: +1 315 437 5866
 Fax: +1 315 437 5860
 Email: info.us@jumo.net
 Internet: www.jumousa.com



Input

Nominal measuring range/ measuring range Default setting ^a	-1 to +1 bar DP	0 to 1 bar DP	-1 to +6 bar DP	-1 to +100 bar DP
Pressure measuring cell	PN210	PN210		
Smallest measuring span	5 mbar	5 mbar	60 mbar	2.5 bar
Overload capability on one side	160 bar	160 bar	200 bar	200 bar
Overload capability on both sides	240 bar	240 bar	240 bar	240 bar

^a The default setting of the measuring range corresponds to the nominal measuring range

Output

Analog output	
Output	4 to 20 mA, two-wire with HART® version 7
Step response time T63	≤ 200 ms without damping
Damping	Adjustable 0 to 100 s
Burden 4 to 20 mA with HART®	≤ (U _B - 12.5 V) / 0.024 A Min. 250 Ω, max. 1100 Ω
Output signal limits	3.6 to 24 mA
Transmission behavior	Linear, square root extraction or Characteristic line that extracts the square root on both sides for bi-directional flow calculation
Failure signal	According to NAMUR NE 43 Max. alarm: 21.6 mA Min. alarm: 3.6 mA
Reference accuracy	≤ ±0.05 % referring to 20 mA
Residual ripple	Max. ±3 % residual ripple within the admissible voltage range (without affecting the 4 to 20 mA signal)
Influence of voltage supply	≤ ±0.1 μA / V

Voltage supply

For version Explosion protection 0 (without)	DC 11.5 to 36 V
For Ex version	DC 12 to 28 V
Residual ripple	Residual ripple of voltage supply ≤3 % (without affecting the 4 to 20 mA signal)
Influence of voltage supply	≤ ±0.1 μA / V

JUMO GmbH & Co. KG
 Delivery address: Mackenrodtstraße 14
 36039 Fulda, Germany
 Postal address: 36035 Fulda, Germany
 Phone: +49 661 6003-0
 Fax: +49 661 6003-607
 Email: mail@jumo.net
 Internet: www.jumo.net

JUMO Instrument Co. Ltd.
 JUMO House
 Temple Bank, Riverway
 Harlow, Essex, CM20 2DY, UK
 Phone: +44 1279 63 55 33
 Fax: +44 1279 62 50 29
 Email: sales@jumo.co.uk
 Internet: www.jumo.co.uk

JUMO Process Control, Inc.
 6724 Joy Road
 East Syracuse, NY 13057, USA
 Phone: +1 315 437 5866
 Fax: +1 315 437 5860
 Email: info.us@jumo.net
 Internet: www.jumousa.com



Mechanical features

Process connection, Materials of membrane	
20 (stainless steel) ^{a, b}	316 L
Flange	Stainless steel 316
Seal	PTFE
Materials of housing	
1 (short, stainless steel)	Stainless steel 1.4404
2 (long, stainless steel)	Stainless steel 1.4404, VMQ
3 (precision casting)	Precision casting 1.4408
Lid 20 (stainless steel)	Precision casting 1.4408, seal FPM
Electrical connection 36 (round plug M12 × 1)	Brass, nickel-plated
Electrical connection 93 (cable fitting, metal)	Brass, nickel-plated
Control knob	PA
Weights	
Type 403024/000-0-1 (housing, short)	Approx. 3.0 kg
Type 403024/000-0-2 (housing, long)	Approx. 3.3 kg
Type 403024/000-0-3 (housing, precision casting)	Approx. 4.0 kg

^a The device is not suitable for the heating oil medium.

^b The medium is not allowed to corrode the membrane material.

JUMO GmbH & Co. KG
 Delivery address: Mackenrodtstraße 14
 36039 Fulda, Germany
 Postal address: 36035 Fulda, Germany
 Phone: +49 661 6003-0
 Fax: +49 661 6003-607
 Email: mail@jumo.net
 Internet: www.jumo.net

JUMO Instrument Co. Ltd.
 JUMO House
 Temple Bank, Riverway
 Harlow, Essex, CM20 2DY, UK
 Phone: +44 1279 63 55 33
 Fax: +44 1279 62 50 29
 Email: sales@jumo.co.uk
 Internet: www.jumo.co.uk

JUMO Process Control, Inc.
 6724 Joy Road
 East Syracuse, NY 13057, USA
 Phone: +1 315 437 5866
 Fax: +1 315 437 5860
 Email: info.us@jumo.net
 Internet: www.jumousa.com



Environmental influences

Ambient temperature range

Version	Ambient temperature range ^{a, b}
Connection 93 cable fitting (metal)	-40 to +85 °C
Connection 36 round plug M12 x 1	-25 to +85 °C

^a Operating temperature range of the LCD display: -20 to +85°C; outside of this range, the display will not work

^b It must be noted that, below -40 °C, there will be functional limitations. In safety-related applications, operation is only admissible if the ambient temperature is no lower than -40 °C.

Average temperature range

Average temperature range	
Standard	-40 to +85 °C

Protection type

Protection type	
Protection type	IP66/IP67 according to DIN EN 60529

Climate class

Climatic features according to DIN EN 60721-3-X	
Stationary use, weather-proof acc. to DIN EN 60721-3-3	from IE37: 3K7/3M3
Stationary use, not weather-proof acc. to DIN EN 60721-3-4	from IE42: 4K3/4M3
Transport acc. to DIN EN 60721-3-2	from IE23: 2K4/2M2

Electromagnetic compatibility

Electromagnetic compatibility acc. to DIN EN 61326-3-1, DIN EN 61326-2-3, DIN EN 60730-2-6 and NAMUR Recommendation NE 21	
Maximum deviation	≤ 0.5 % of span
Interference emission:	Class B
Interference immunity	Industry

Mechanical load

Admissible mechanical load:	
Vibration strength	2 G, 10 to 2000 Hz acc. to IEC 60068-2-6
Shock resistance	15 G for 6 ms acc. to IEC 60068-2-27

JUMO GmbH & Co. KG
 Delivery address: Mackenrodtstraße 14
 36039 Fulda, Germany
 Postal address: 36035 Fulda, Germany
 Phone: +49 661 6003-0
 Fax: +49 661 6003-607
 Email: mail@jumo.net
 Internet: www.jumo.net

JUMO Instrument Co. Ltd.
 JUMO House
 Temple Bank, Riverway
 Harlow, Essex, CM20 2DY, UK
 Phone: +44 1279 63 55 33
 Fax: +44 1279 62 50 29
 Email: sales@jumo.co.uk
 Internet: www.jumo.co.uk

JUMO Process Control, Inc.
 6724 Joy Road
 East Syracuse, NY 13057, USA
 Phone: +1 315 437 5866
 Fax: +1 315 437 5860
 Email: info.us@jumo.net
 Internet: www.jumousa.com



Accuracy

Contains the maximum measurement deviation, including non-linearity after limiting point setting, hysteresis, non-repeatability, measurement deviation of the measuring range end value and measurement deviation at the measuring range start.

Measurement deviation in the nominal measuring range	Reference accuracy ^a in % MSP ^b	Reference accuracy ^a in % MSP ^b
-1 to +1 bar	$r \leq 10 : 1 \pm 0.05$	$r > 10 : 1 \pm (0.00225 \times r + 0.0275)$
0 to +1 bar	$r \leq 5 : 1 \pm 0.075$	$r > 5 : 1 \pm (0.0095 \times r + 0.0275)$
-1 to +6 bar	$r \leq 10 : 1 \pm 0.05$	$r > 10 : 1 \pm (0.00225 \times r + 0.0275)$
-1 to +100 bar	$r \leq 5 : 1 \pm 0.10$	$r > 5 : 1 \pm 0.02 \times r$

^a r = spread – ratio of the measuring span calibrated per default to the configured measuring span

^b MSP = configured measuring spans

Influence of the ambient temperature in the nominal measuring range	In the range -10 to +60 °C ^{a,b}	In the range -30 to -10 °C and +60 to +85 °C ^{a,b}
-1 to +1 bar	$\pm (0.03 \times r + 0.017)$	$\pm (0.06 \times r + 0.034)$
0 to +1 bar	$\pm (0.03 \times r + 0.017)$	$\pm (0.06 \times r + 0.034)$
-1 to +6 bar	$\pm (0.012 \times r + 0.017)$	$\pm (0.024 \times r + 0.034)$
-1 to +100 bar	$\pm (0.042 \times r + 0.04)$	$\pm (0.084 \times r + 0.08)$

^a r = spread – ratio of the measuring span calibrated per default to the configured measuring span

^b MSP = configured measuring spans

Influence of the ambient temperature in the nominal measuring range	In the range -40 to -30 °C ^{a,b}
-1 to +1 bar	$\pm (0.06 \times r + 0.3)$
0 to +1 bar	$\pm (0.06 \times r + 0.2)$
-1 to +6 bar	$\pm (0.024 \times r + 0.4)$
-1 to +100 bar	$\pm (0.084 \times r + 0.5)$

^a r = spread – ratio of the measuring span calibrated per default to the configured measuring span

^b MSP = configured measuring spans

The basic accuracy comprises the reference accuracy and the influence of the ambient temperature (pressure sensor and electronics error of the analog output of 0.05 %) for the temperature range of -10 to + 60 °C.

Basic accuracy in nominal measuring range	r = 1 : 1 in % MSP ^a	r = 2 : 1 in % MSP ^a	r = 3 : 1 in % MSP ^a	r = 4 : 1 in % MSP ^a	r = 5 : 1 in % MSP ^a
-1 to +1 bar	± 0.11	± 0.14	± 0.17	± 0.20	± 0.23
0 to +1 bar					
-1 to +6 bar	± 0.10	± 0.11	± 0.12	± 0.13	± 0.14
-1 to +100 bar	± 0.14	± 0.18	± 0.22	± 0.26	± 0.31

^a MSP = configured measuring spans

The long-term stability relates to the measuring span calibrated per default.

Long-term stability in the nominal measuring range	1 year in % MSP ^a	5 years in % MSP ^a	10 years in % MSP ^a
-1 to +1 bar	± 0.025	± 0.050	± 0.075
0 to +1 bar			
-1 to +6 bar	± 0.038	± 0.075	± 0.150
-1 to +100 bar	± 0.050	± 0.070	± 0.100

^a MSP = configured measuring spans

JUMO GmbH & Co. KG
 Delivery address: Mackenrodtstraße 14
 36039 Fulda, Germany
 Postal address: 36035 Fulda, Germany
 Phone: +49 661 6003-0
 Fax: +49 661 6003-607
 Email: mail@jumo.net
 Internet: www.jumo.net

JUMO Instrument Co. Ltd.
 JUMO House
 Temple Bank, Riverway
 Harlow, Essex, CM20 2DY, UK
 Phone: +44 1279 63 55 33
 Fax: +44 1279 62 50 29
 Email: sales@jumo.co.uk
 Internet: www.jumo.co.uk

JUMO Process Control, Inc.
 6724 Joy Road
 East Syracuse, NY 13057, USA
 Phone: +1 315 437 5866
 Fax: +1 315 437 5860
 Email: info.us@jumo.net
 Internet: www.jumousa.com



The total deviation is calculated based on the combined measuring accuracies of the basic accuracy (reference accuracy as well as the influence of ambient temperature and static pressure and the electronics error) and the long-term stability.
 The basic accuracy used here corresponds to the temperature range of -10 to +60 °C and a spread (r) of 1 : 1.

Total deviation in nominal measuring range	1 year in % MSP ^a	5 years in % MSP ^a	10 years in % MSP ^a
-1 to +1 bar	± 0.14	± 0.16	± 0.19
0 to +1 bar			
-1 to +6 bar	± 0.14	± 0.18	± 0.25
-1 to +100 bar	± 0.19	± 0.21	± 0.24

^a MSP = configured measuring spans

Device-internal accuracy specification with respect to flow as a calculated variable from the differential pressure. A level control-dependent factor conditioned by the root characteristic line is added to the potential deviation of the differential pressure.



NOTE!

As the characteristic line that extracts the square root is stored as bidirectional, this also applies for the negative axis in the case of a corresponding, symmetrical measuring range. It is only for small flows that the differential pressure principle becomes increasingly inaccurate.

Pressure adjustment in %	Flow rate error factor: differential pressure (incl. temperature drift)
≥ 50 %	≤ 0.71-fold
≥ 25 %	≤ 1.00-fold
≥ 20 %	≤ 1.12-fold
≥ 11.1 %	≤ 1.50-fold
≥ 6.25 %	≤ 2.00-fold
≥ 2.78 %	≤ 3.00-fold

Approvals and approval marks

SIL	
Test facility	TÜV Nord (German Technical Inspection Agency)
Certificate/test no.	SEBS-A.084722/14 V1.0
Inspection basis	DIN EN 61508/-1/-2/-3: 2011 DIN EN ISO 13849-1: 2016 DIN EN ISO 13849-2: 2013
Valid for	Entire JUMO SIRAS P21 device range

JUMO GmbH & Co. KG
 Delivery address: Mackenrodtstraße 14
 36039 Fulda, Germany
 Postal address: 36035 Fulda, Germany
 Phone: +49 661 6003-0
 Fax: +49 661 6003-607
 Email: mail@jumo.net
 Internet: www.jumo.net

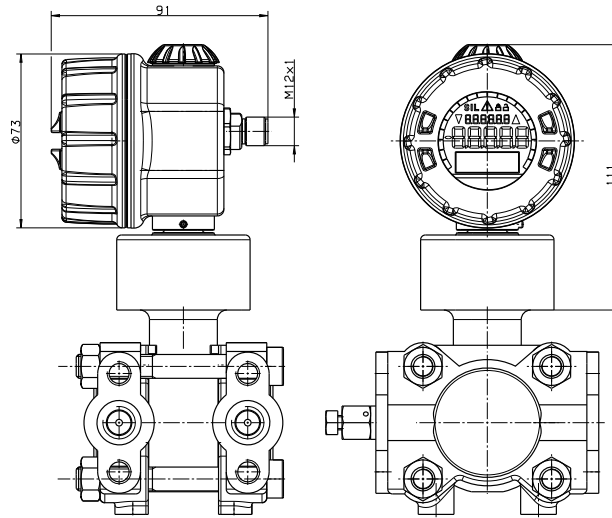
JUMO Instrument Co. Ltd.
 JUMO House
 Temple Bank, Riverway
 Harlow, Essex, CM20 2DY, UK
 Phone: +44 1279 63 55 33
 Fax: +44 1279 62 50 29
 Email: sales@jumo.co.uk
 Internet: www.jumo.co.uk

JUMO Process Control, Inc.
 6724 Joy Road
 East Syracuse, NY 13057, USA
 Phone: +1 315 437 5866
 Fax: +1 315 437 5860
 Email: info.us@jumo.net
 Internet: www.jumousa.com

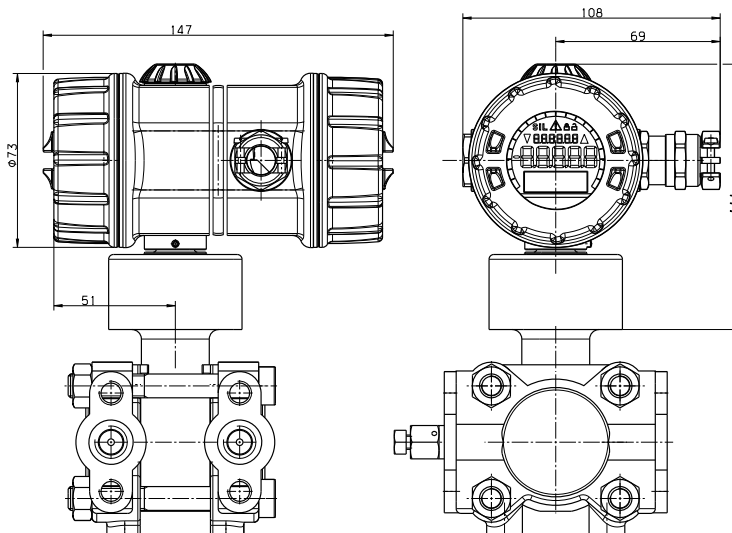


Dimensions

Type 403024/000-0-1 (short, stainless steel, with M12 connection)



Type 403024/000-0-2 (long, stainless steel, with cable fitting)



M20 × 1.5 cable fitting

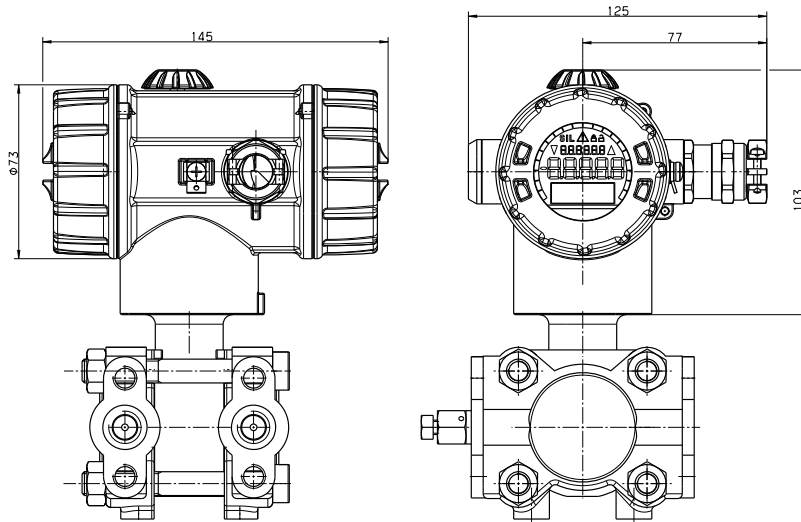
JUMO GmbH & Co. KG
 Delivery address: Mackenrodtstraße 14
 36039 Fulda, Germany
 Postal address: 36035 Fulda, Germany
 Phone: +49 661 6003-0
 Fax: +49 661 6003-607
 Email: mail@jumo.net
 Internet: www.jumo.net

JUMO Instrument Co. Ltd.
 JUMO House
 Temple Bank, Riverway
 Harlow, Essex, CM20 2DY, UK
 Phone: +44 1279 63 55 33
 Fax: +44 1279 62 50 29
 Email: sales@jumo.co.uk
 Internet: www.jumo.co.uk

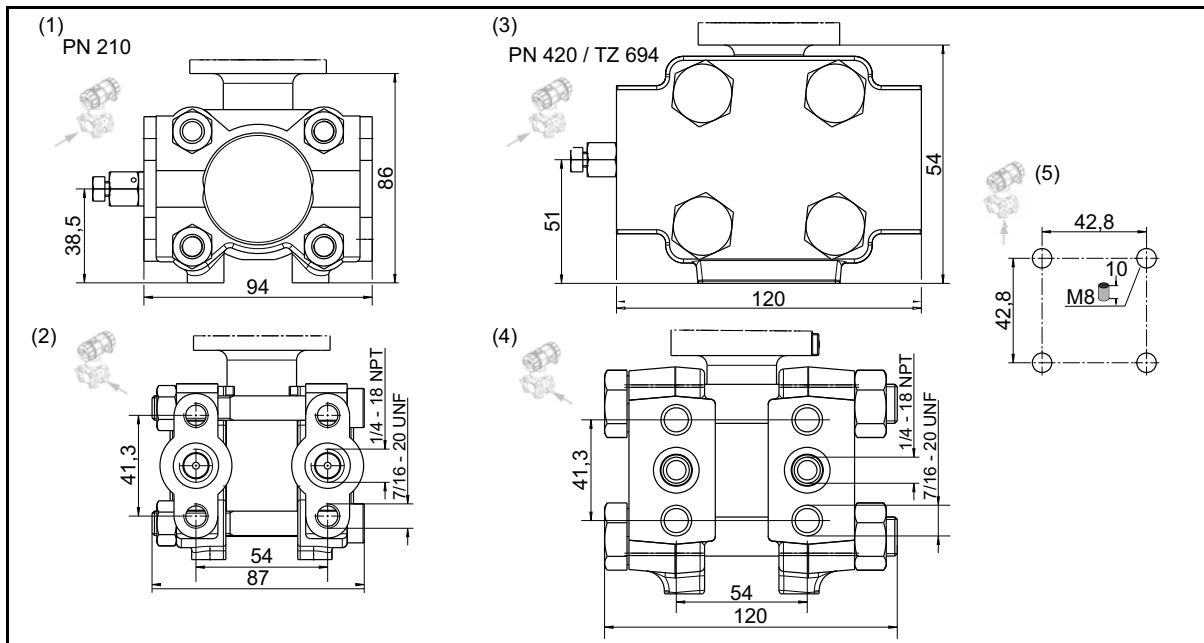
JUMO Process Control, Inc.
 6724 Joy Road
 East Syracuse, NY 13057, USA
 Phone: +1 315 437 5866
 Fax: +1 315 437 5860
 Email: info.us@jumo.net
 Internet: www.jumousa.com



Type 403024/000-0-3 (precision casting, with cable fitting)



Cable fitting M20 x 1.5 Ex-d version



1	Pressure measuring cell PN210, front view	2	Pressure measuring cell PN210, side view
3	Pressure measuring cell PN420, front view	4	Pressure measuring cell PN420, side view
5	Borehole diagram, fastening of all pressure measuring cells		

JUMO GmbH & Co. KG
 Delivery address: Mackenrodtstraße 14
 36039 Fulda, Germany
 Postal address: 36035 Fulda, Germany
 Phone: +49 661 6003-0
 Fax: +49 661 6003-607
 Email: mail@jumo.net
 Internet: www.jumo.net

JUMO Instrument Co. Ltd.
 JUMO House
 Temple Bank, Riverway
 Harlow, Essex, CM20 2DY, UK
 Phone: +44 1279 63 55 33
 Fax: +44 1279 62 50 29
 Email: sales@jumo.co.uk
 Internet: www.jumo.co.uk

JUMO Process Control, Inc.
 6724 Joy Road
 East Syracuse, NY 13057, USA
 Phone: +1 315 437 5866
 Fax: +1 315 437 5860
 Email: info.us@jumo.net
 Internet: www.jumousa.com



Connection diagram

The connection diagram in the data sheet provides information on product selection.

For the electrical connection, only use the installation instructions or the operating manual.

Terminal assignment – devices with cable fitting

Connection	Terminal assignment
	93 cable fitting
Voltage supply DC 12.5 to 36 V for non-Ex version DC 12.5 to 28 V for Ex version	1 L+ 2 L-
Output 4 to 20 mA, two-wire load-independent current of 4 to 20 mA in voltage supply	1 L+ 2 L-
Test connection for current output Internal resistance of the measuring device $\leq 10 \Omega$	TEST + TEST -
Test connection for HART® The burden must be present!	HART + HART -
Functional ground	3

Terminal assignment – M12 round plug

Connection	Terminal assignment	Color assignment ^a
	36 round plug M12 × 1	
Voltage supply DC 12.5 to 36 V for non-Ex version DC 12.5 to 28 V for Ex version	1 L+ 3 L-	Brown Blue
Output 4 to 20 mA, two-wire load-independent current of 4 to 20 mA in voltage supply	1 L+ 3 L-	Brown Blue
Functional ground	4	Black

^a The color coding is only valid for A-coded standard cables!

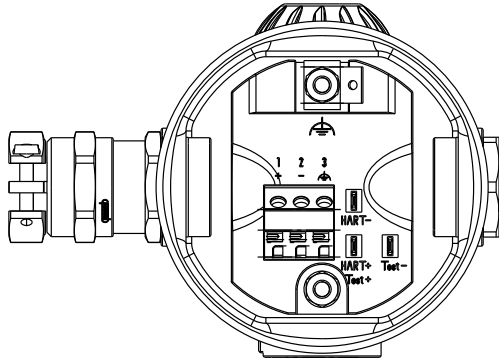
JUMO GmbH & Co. KG
Delivery address: Mackenrodtstraße 14
36039 Fulda, Germany
Postal address: 36035 Fulda, Germany
Phone: +49 661 6003-0
Fax: +49 661 6003-607
Email: mail@jumo.net
Internet: www.jumo.net

JUMO Instrument Co. Ltd.
JUMO House
Temple Bank, Riverway
Harlow, Essex, CM20 2DY, UK
Phone: +44 1279 63 55 33
Fax: +44 1279 62 50 29
Email: sales@jumo.co.uk
Internet: www.jumo.co.uk

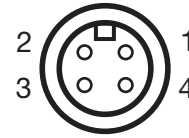
JUMO Process Control, Inc.
6724 Joy Road
East Syracuse, NY 13057, USA
Phone: +1 315 437 5866
Fax: +1 315 437 5860
Email: info.us@jumo.net
Internet: www.jumousa.com



Cable fitting



Round plug M12 × 1



JUMO GmbH & Co. KG

Delivery address: Mackenrodtstraße 14
36039 Fulda, Germany
Postal address: 36035 Fulda, Germany
Phone: +49 661 6003-0
Fax: +49 661 6003-607
Email: mail@jumo.net
Internet: www.jumo.net

JUMO Instrument Co. Ltd.

JUMO House
Temple Bank, Riverway
Harlow, Essex, CM20 2DY, UK
Phone: +44 1279 63 55 33
Fax: +44 1279 62 50 29
Email: sales@jumo.co.uk
Internet: www.jumo.co.uk

JUMO Process Control, Inc.

6724 Joy Road
East Syracuse, NY 13057, USA
Phone: +1 315 437 5866
Fax: +1 315 437 5860
Email: info.us@jumo.net
Internet: www.jumousa.com



Order details

	(1) Basic type
403024	JUMO SIRAS P21 DP – differential pressure transmitter
	(2) Basic type extension
000	None
	(3) Explosion protection
0	None
1	ATEX, IECEx ia (in preparation)
2	ATEX, IECEx ia + d combined release (in preparation)
	(4) Housing
1	Short, stainless steel, with M12 connection ^a
2	Long, stainless steel, with cable fitting
3	Long, precision casting, with cable fitting
	(5) Electrical connection
36	Round plug M12 × 1
93	Metal cable fitting
	(6) Lid material
20	CrNi (stainless steel)
	(7) Display
1	With display (LCD)
	(8) Operation
1	With rotary knob
	(9) Input – nominal measuring range
532	0 to +1 bar DP
531	-1 to +1 bar DP
533	-1 to +6 bar DP
534	-1 to +100 bar DP
	(10) Output
410	4 to 20 mA, two-wire with HART [®] protocol
	(11) Process connection
511	2 x pressure connection 1/4-18NPT according to DIN EN 837
	(12) Process connection material
20	CrNi (stainless steel)
	(13) Measuring system filling medium
01	Silicon oil

