

JUMO GmbH & Co. KG
Delivery address: Mackenrodtstraße 14
36039 Fulda, Germany
Postal address: 36035 Fulda, Germany
Phone: +49 661 6003-0
Fax: +49 661 6003-607
Email: mail@jumo.net
Internet: www.jumo.net

JUMO Instrument Co. Ltd.
JUMO House
Temple Bank, Riverway
Harlow, Essex, CM20 2DY, UK
Phone: +44 1279 63 55 33
Fax: +44 1279 62 50 29
Email: sales@jumo.co.uk
Internet: www.jumo.co.uk

JUMO Process Control, Inc.
6733 Myers Road
East Syracuse, NY 13057, USA
Phone: +1 315 437 5866
Fax: +1 315 437 5860
Email: info.us@jumo.net
Internet: www.jumousa.com



JUMO MAERA S26

Level probe

Applications

Level and filling level measurement¹

- in storage tanks or reservoirs
- for gray water recycling
- in heating oil and diesel oil tanks

Brief description

The JUMO MAERA S26 level probe is used for the continuous hydrostatic level measurement of liquids. Filling heights between 2.5 mWS and 25 mWS (water column) can be achieved in ventilated tanks.

When the level probe is immersed into a liquid, a liquid column emerges above the probe. The liquid column increases as the probe is immersed deeper into the liquid and creates a hydrostatic pressure on the measuring system by the force of its weight. The measured pressure is transmitted as a standard signal. The signal is linearly proportional to the rising liquid.

The surrounding pressure is realized using a special cable with an integrated pressure equalization hose. Any variations in air pressure are thereby automatically compensated for and the surrounding pressure is therefore taken into account.

The level probe is approved for use in drinking water.

Further information about our JUMO MAERA series level probes can be found in the the "Level Probes – Hydrostatic Level and Level Measurement" brochure under Documentation.

Customer benefits

- **process reliable**
The core of the level probe is a piezoresistive measuring cell, which features high overload resistance, and is particularly stable in the long term, reliable, and temperature resistant. The level probes are manufactured entirely from stainless steel and are therefore resistant to many media. A reverse-polarity protection mechanism protects the measuring instrument against damage, ensuring maximum safety during startup.
- **versatile**
The level probe is available in numerous variants for several measuring ranges. The version with several cable materials and process connections provides maximum possible flexibility. A model with greater measuring accuracy is also available, which also meets the most stringent requirements.



Type 402090/... with process connection
658

Special features

- level probe for continuous level measurement in liquids
- measuring ranges: 0.25 bar to 2.5 bar (0.2 % MSP² also available) (2.50 mWS to 25 mWS)
- medium temperature: 0 °C to 50 °C
- piezoresistive silicon sensor
- accuracy: 0.3 % MSP (linearity) (0.2 % MSP also available)
- excellent long-term stability
- high overload resistance
- reverse polarity protection
- suitable for indoor mounting

¹ These recommendations are based on many years of experience; however, in individual cases they may not be fully applicable. We would be happy to provide further information, including regarding additional applications.

² MSP = measuring span

Approvals/approval marks



JUMO GmbH & Co. KG
 Delivery address: Mackenrodtstraße 14
 36039 Fulda, Germany
 Postal address: 36035 Fulda, Germany
 Phone: +49 661 6003-0
 Fax: +49 661 6003-607
 Email: mail@jumo.net
 Internet: www.jumo.net

JUMO Instrument Co. Ltd.
 JUMO House
 Temple Bank, Riverway
 Harlow, Essex, CM20 2DY, UK
 Phone: +44 1279 63 55 33
 Fax: +44 1279 62 50 29
 Email: sales@jumo.co.uk
 Internet: www.jumo.co.uk

JUMO Process Control, Inc.
 6733 Myers Road
 East Syracuse, NY 13057, USA
 Phone: +1 315 437 5866
 Fax: +1 315 437 5860
 Email: info.us@jumo.net
 Internet: www.jumousa.com



Technical data

General Information

Reference conditions	DIN 16086 and DIN EN 60770
Measuring principle	Piezoresistive sensor with stainless steel separating membrane
Pressure transfer means	Synthetic oil
Admissible load changes	> 10 million, 0 to 100 % measuring range
Mounting position	Vertical/hanging from the cable

Measuring range and accuracy

Measuring range bar	Linearity ^a % MSP ^e	Accuracy at		Long-term stability ^b % MSP per year	Overload capacity bar	Burst pressure bar
		20 °C ^c % MSP	0 to 50 °C ^d % MSP			
0 to 0.25 bar relative pressure	0.3	0.5	1.6	≤ 0.3	0.75	1
0 to 0.4 bar relative pressure	0.3	0.5	1.6		1.2	1.6
0 to 0.6 bar relative pressure	0.3	0.5	1.3		1.8	2.4
0 to 1 bar relative pressure	0.3	0.5	1.1		3	4
0 to 1.6 bar relative pressure	0.3	0.5	1.1		4.8	6,4
0 to 2.5 bar relative pressure	0.3	0.5	1.1		7.5	10
0 to 4 bar relative pressure	0.2	0.3	0.8		12	16
0 to 6 bar relative pressure	0.2	0.3	0.8		18	24
0 to 10 bar relative pressure	0.2	0.3	0.8		30	40

^a Linearity according to limit point setting

^b Reference conditions EN 61298-1

^c Includes: linearity, hysteresis, repeatability, deviation from measuring range start (offset), and measuring range end

^d Includes: linearity, hysteresis, repeatability, deviation from measuring range start (offset) and measuring range end, thermal influences on measuring range start (offset), and measuring span

^e MSP = measuring span

JUMO GmbH & Co. KG
 Delivery address: Mackenrodtstraße 14
 36039 Fulda, Germany
 Postal address: 36035 Fulda, Germany
 Phone: +49 661 6003-0
 Fax: +49 661 6003-607
 Email: mail@jumo.net
 Internet: www.jumo.net

JUMO Instrument Co. Ltd.
 JUMO House
 Temple Bank, Riverway
 Harlow, Essex, CM20 2DY, UK
 Phone: +44 1279 63 55 33
 Fax: +44 1279 62 50 29
 Email: sales@jumo.co.uk
 Internet: www.jumo.co.uk

JUMO Process Control, Inc.
 6733 Myers Road
 East Syracuse, NY 13057, USA
 Phone: +1 315 437 5866
 Fax: +1 315 437 5860
 Email: info.us@jumo.net
 Internet: www.jumousa.com



Output

Analog output Current Output 402 Output 405 Output 406 Voltage Output 412 Output 415 Output 418 Output 420	 0 to 20 mA, three-wire 4 to 20 mA, two-wire 4 to 20 mA, three-wire DC 0.5 to 4.5 V, three-wire, ratiometric 10 to 90 % of the voltage supply DC 0 to 10 V, three-wire DC 1 to 5 V, three-wire DC 1 to 6 V, three-wire
Step response T_{90}	≤ 10 ms
Burden Current 0 to 20 mA, three-wire (output 402) 4 to 20 mA, two-wire (output 405) 4 to 20 mA, three-wire (output 406) Voltage DC 0.5 to 4.5 V, three-wire (output 412) DC 0 to 10 V, three-wire (output 415) DC 1 to 5 V, three-wire (output 418) DC 1 to 6 V, three-wire (output 420)	 $R_L \leq (U_B - 12 \text{ V}) \div 0.02 \text{ A } (\Omega)$ $R_L \leq (U_B - 10 \text{ V}) \div 0.02 \text{ A } (\Omega)$ $R_L \leq (U_B - 12 \text{ V}) \div 0.02 \text{ A } (\Omega)$ $R_L \geq 50 \text{ k}\Omega$ $R_L \geq 10 \text{ k}\Omega$ $R_L \geq 10 \text{ k}\Omega$ $R_L \geq 10 \text{ k}\Omega$

Mechanical features

Ensure the medium durability of the material!

Process connection Material	Stainless steel 316 Ti
Measuring membrane Material	Stainless steel 316 L
Case Material	Stainless steel 316 Ti
Sealing cone Material	FPM EPDM (extra code 917)
Cable Material	PUR (electrical connection 14) PE (electrical connection 15) FEP (electrical connection 25) EPR (electrical connection 26)
Weight	200 g (without cable)
Diameter	25 mm

JUMO GmbH & Co. KG
 Delivery address: Mackenrodtstraße 14
 36039 Fulda, Germany
 Postal address: 36035 Fulda, Germany
 Phone: +49 661 6003-0
 Fax: +49 661 6003-607
 Email: mail@jumo.net
 Internet: www.jumo.net

JUMO Instrument Co. Ltd.
 JUMO House
 Temple Bank, Riverway
 Harlow, Essex, CM20 2DY, UK
 Phone: +44 1279 63 55 33
 Fax: +44 1279 62 50 29
 Email: sales@jumo.co.uk
 Internet: www.jumo.co.uk

JUMO Process Control, Inc.
 6733 Myers Road
 East Syracuse, NY 13057, USA
 Phone: +1 315 437 5866
 Fax: +1 315 437 5860
 Email: info.us@jumo.net
 Internet: www.jumousa.com



Environmental influences

Inadmissible temperatures Medium/environment	0 to 50 °C The device must not freeze in the medium! A restriction may be required depending on the medium.
Storage	-20 to +80 °C, dry
Electromagnetic compatibility Interference emission ^a Interference immunity ^c	Class B ^b Industrial requirements
Protection type ^d	IP68, submersible to 60 m

^a According to EN 61326-1

^b The product is suitable for industrial use as well as for households and small businesses.

^c According to EN 61326-2-3

^d According to EN 60529

Auxiliary power

Voltage Supply U_B ^a 0 mA to 20 mA, three-wire (output 402) 4 mA to 20 mA, two-wire (output 405) 4 mA to 20 mA, three-wire (output 406) DC 0.5 V to 4.5 V, three-wire (output 412) DC 0 V to 10 V, three-wire (output 415) DC 1 V to 5 V, three-wire (output 418) DC 1 V to 6 V, three-wire (output 420)	DC 11.5 V to 30 V, nominal voltage DC 24 V DC 10 V to 30 V, nominal voltage DC 24 V DC 11.5 V to 30 V, nominal voltage DC 24 V DC 5 V DC 11.5 V to 30 V, nominal voltage DC 24 V DC 10 V to 30 V, nominal voltage DC 24 V DC 10 V to 30 V, nominal voltage DC 24 V
--	--

^a Residual ripple: the voltage peaks must not exceed or fall below the specified voltage supply values!

Reverse voltage protection	Yes (except DC 0.5 to 4.5 V, three-wire [output 412])
Max. current consumption	≤ 25 mA
Electrical circuit Requirements	SELV The device must be equipped with an electrical circuit that meets the requirements of EN 61010-1 with regard to "Limited-energy circuits".

JUMO GmbH & Co. KG
 Delivery address: Mackenrodtstraße 14
 36039 Fulda, Germany
 Postal address: 36035 Fulda, Germany
 Phone: +49 661 6003-0
 Fax: +49 661 6003-607
 Email: mail@jumo.net
 Internet: www.jumo.net

JUMO Instrument Co. Ltd.
 JUMO House
 Temple Bank, Riverway
 Harlow, Essex, CM20 2DY, UK
 Phone: +44 1279 63 55 33
 Fax: +44 1279 62 50 29
 Email: sales@jumo.co.uk
 Internet: www.jumo.co.uk

JUMO Process Control, Inc.
 6733 Myers Road
 East Syracuse, NY 13057, USA
 Phone: +1 315 437 5866
 Fax: +1 315 437 5860
 Email: info.us@jumo.net
 Internet: www.jumousa.com



Electrical connection

6-core, shielded cable with integrated pressure compensation hose, AWG 24 with ferrules

Material	
Outer sheath	PE, PUR, FEP ^a
Pressure compensation hose	PA
Color	
PE-, FEP cable	Black
PUR cable	Pebble gray
Outer diameter	Approx. 8.4 mm
Conductor cross section	0.25 mm ²
Bending radius	
Moving	160 mm
Fixed	120 mm
	It is vital to take into account that if the protective hose is kinked or pinched, this will prevent ambient pressure compensation.
Tensile force	Up to 400 N
Weight	
PE, PUR cable	Approx. 115 g/m
FEP cable	Approx. 90 g/m
Admissible medium temperatures	-20 to +60 °C (depending on the medium)
UV resistance	PE and PUR cable according to VDE 0207, test method EN 60811 part 2-1, section 8 FEP cable according to DIN ISO 4892-2

^a Depending on the version ordered

for level probe with EPR cable (electrical connection 26)

2-core cable without pressure compensation with ferrules

Material	
Outer sheath	EPR
Color	
EPR cable	Blue
Outer diameter	Approx. 8.3 mm
Conductor cross section	1 mm ²
Bending radius	
Moving	40 mm
Fixed	30 mm
Tensile force	Up to 400 N
Weight	
EPR cable	Approx. 92 g/m
Admissible medium temperatures	-40 to +60 °C

Approvals/approval marks

Approval mark	Testing agency	Certificates/ certification numbers	Inspection basis	Valid for
CSA	CSA Group	70209471	CAN/CSA-C22.2 No. 61010-1-12 UL Std. No. 61010-1 (3rd Edition)	Extra code 067
ACS	Eurofins	16 ACC NY 235	DGS/SD7A No 2002-571	Extra code 881

JUMO GmbH & Co. KG
 Delivery address: Mackenrodtstraße 14
 36039 Fulda, Germany
 Postal address: 36035 Fulda, Germany
 Phone: +49 661 6003-0
 Fax: +49 661 6003-607
 Email: mail@jumo.net
 Internet: www.jumo.net

JUMO Instrument Co. Ltd.
 JUMO House
 Temple Bank, Riverway
 Harlow, Essex, CM20 2DY, UK
 Phone: +44 1279 63 55 33
 Fax: +44 1279 62 50 29
 Email: sales@jumo.co.uk
 Internet: www.jumo.co.uk

JUMO Process Control, Inc.
 6733 Myers Road
 East Syracuse, NY 13057, USA
 Phone: +1 315 437 5866
 Fax: +1 315 437 5860
 Email: info.us@jumo.net
 Internet: www.jumousa.com

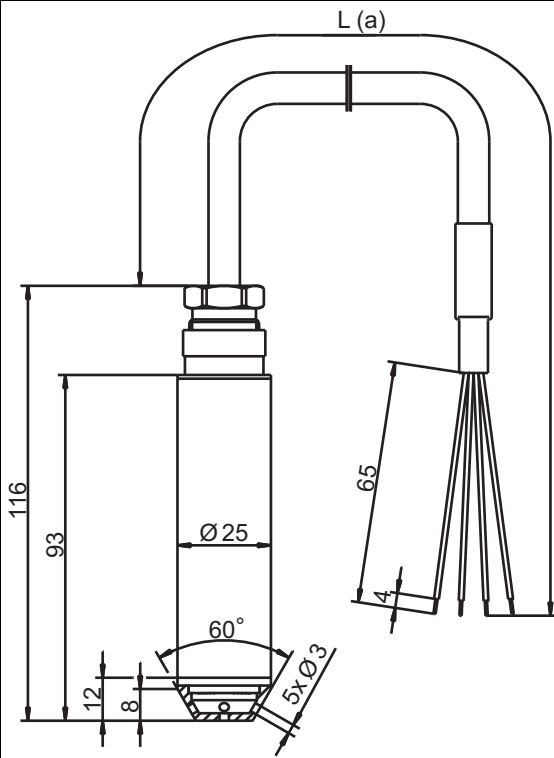


Dimensions

Process connection

658

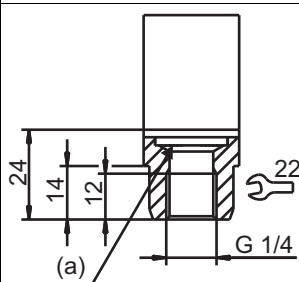
Connection closed at the bottom



L (a) Cable length according to customer preference

567

G 1/4 inside

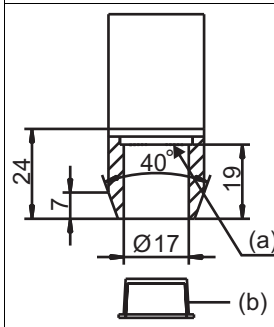


(a) Sensitive membrane

(b) Protective cap

659

Connection open at the bottom



JUMO GmbH & Co. KG
 Delivery address: Mackenrodtstraße 14
 36039 Fulda, Germany
 Postal address: 36035 Fulda, Germany
 Phone: +49 661 6003-0
 Fax: +49 661 6003-607
 Email: mail@jumo.net
 Internet: www.jumo.net

JUMO Instrument Co. Ltd.
 JUMO House
 Temple Bank, Riverway
 Harlow, Essex, CM20 2DY, UK
 Phone: +44 1279 63 55 33
 Fax: +44 1279 62 50 29
 Email: sales@jumo.co.uk
 Internet: www.jumo.co.uk

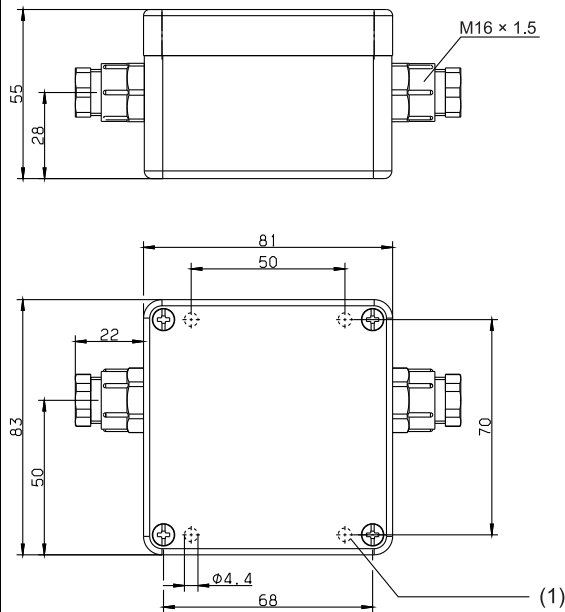
JUMO Process Control, Inc.
 6733 Myers Road
 East Syracuse, NY 13057, USA
 Phone: +1 315 437 5866
 Fax: +1 315 437 5860
 Email: info.us@jumo.net
 Internet: www.jumousa.com



Accessories

Terminal box with pressure compensation

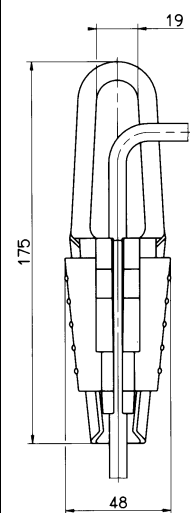
Part no. 00061206



(1) Fastening hole

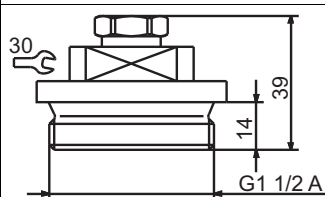
Cable clamp

Part no. 00061389



Sealing screw

Part no. 00333329



JUMO GmbH & Co. KG
 Delivery address: Mackenrodtstraße 14
 36039 Fulda, Germany
 Postal address: 36035 Fulda, Germany
 Phone: +49 661 6003-0
 Fax: +49 661 6003-607
 Email: mail@jumo.net
 Internet: www.jumo.net


JUMO Instrument Co. Ltd.
 JUMO House
 Temple Bank, Riverway
 Harlow, Essex, CM20 2DY, UK
 Phone: +44 1279 63 55 33
 Fax: +44 1279 62 50 29
 Email: sales@jumo.co.uk
 Internet: www.jumo.co.uk

JUMO Process Control, Inc.
 6733 Myers Road
 East Syracuse, NY 13057, USA
 Phone: +1 315 437 5866
 Fax: +1 315 437 5860
 Email: info.us@jumo.net
 Internet: www.jumousa.com



Connection diagram

The connection diagram in the data sheet provides preliminary information about the connection options. For the electrical connection, only use the installation instructions or the operating manual. The knowledge and the correct technical compliance with the safety information and warnings contained in these documents are mandatory for mounting, electrical connection, and startup as well as for safety during operation.

Connection		Terminal assignment
		
		Cable ^a
0 to 20 mA, three-wire (output 402)		
Voltage supply DC 11.5 to 30 V Rated voltage supply DC 24 V	U _B ^b 0 V/S- S+	White Gray Yellow
4 to 20 mA, two-wire (output 405)		
Voltage supply DC 10 to 30 V Rated voltage supply DC 24 V	U _{B/S+} 0 V/S-	White Gray
4 to 20 mA, two-wire (output 405 and EPR cable [electrical connection 26])		
Voltage supply DC 10 to 30 V Rated voltage supply DC 24 V	U _{B/S+} 0 V/S-	Brown Blue
4 to 20 mA, three-wire (output 406)		
Voltage supply DC 11.5 to 30 V Rated voltage supply DC 24 V	U _B 0 V/S- S+	White Gray Yellow
DC 0.5 to 4.5 V ratiometric (output 412)		
Voltage supply DC 5 V Rated voltage supply DC 5 V	U _B 0 V/S- S+	White Gray Yellow
DC 0 to 10 V, three-wire (output 415)		
Voltage supply DC 11.5 to 30 V Rated voltage supply DC 24 V	U _B 0 V/S- S+	White Gray Yellow
DC 1 to 5 V, three-wire (output 418) DC 1 to 6 V, three-wire (output 420)		
Voltage supply DC 10 to 30 V Rated voltage supply DC 24 V	U _B 0 V/S- S+	White Gray Yellow
Shielding		
Caution: Ground the device! Ground all connected devices (such as pumps and valves) to the same potential!		Black

^a For cable specifications, see installation instructions B 401015.4, chapter 6 "Installation and mounting".

^b The voltage peaks must not exceed or fall below the specified voltage supply values!

JUMO GmbH & Co. KG
 Delivery address: Mackenrodtstraße 14
 36039 Fulda, Germany
 Postal address: 36035 Fulda, Germany
 Phone: +49 661 6003-0
 Fax: +49 661 6003-607
 Email: mail@jumo.net
 Internet: www.jumo.net

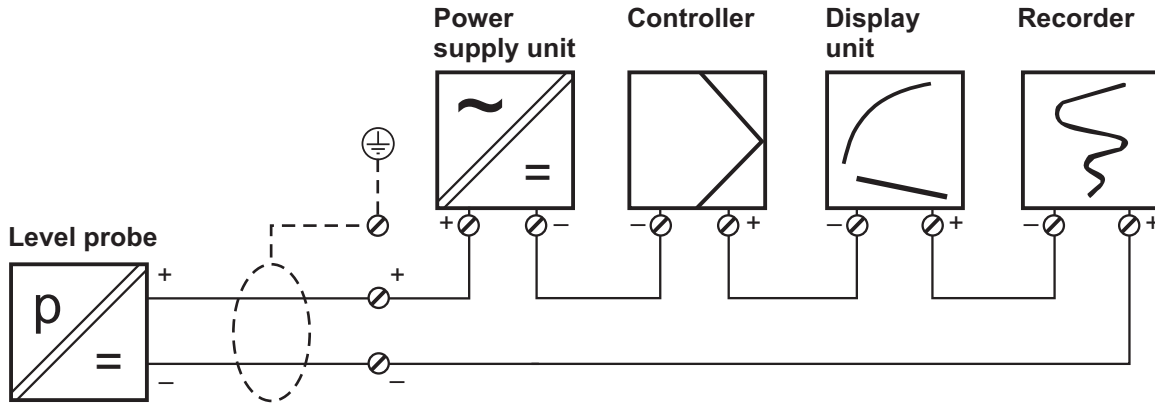
JUMO Instrument Co. Ltd.
 JUMO House
 Temple Bank, Riverway
 Harlow, Essex, CM20 2DY, UK
 Phone: +44 1279 63 55 33
 Fax: +44 1279 62 50 29
 Email: sales@jumo.co.uk
 Internet: www.jumo.co.uk

JUMO Process Control, Inc.
 6733 Myers Road
 East Syracuse, NY 13057, USA
 Phone: +1 315 437 5866
 Fax: +1 315 437 5860
 Email: info.us@jumo.net
 Internet: www.jumousa.com

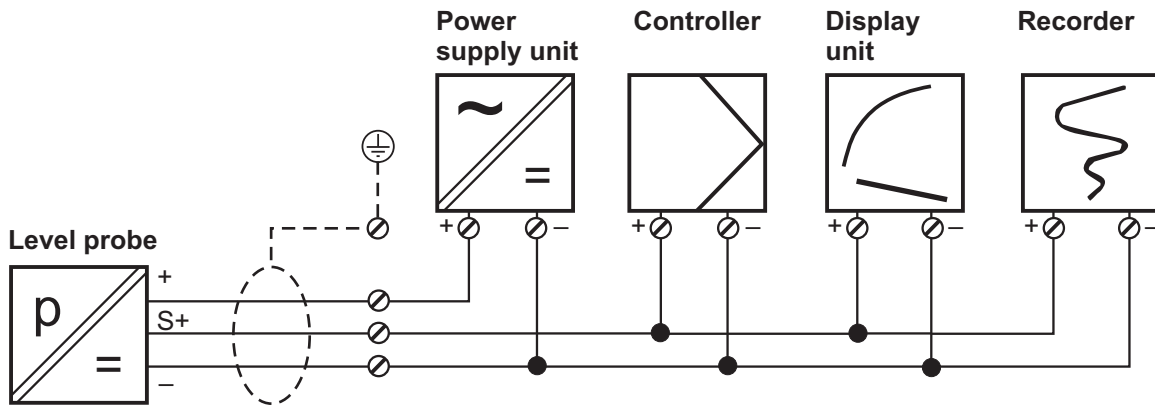


Connection example

Current output



Voltage output



JUMO GmbH & Co. KG
 Delivery address: Mackenrodtstraße 14
 36039 Fulda, Germany
 Postal address: 36035 Fulda, Germany
 Phone: +49 661 6003-0
 Fax: +49 661 6003-607
 Email: mail@jumo.net
 Internet: www.jumo.net

JUMO Instrument Co. Ltd.
 JUMO House
 Temple Bank, Riverway
 Harlow, Essex, CM20 2DY, UK
 Phone: +44 1279 63 55 33
 Fax: +44 1279 62 50 29
 Email: sales@jumo.co.uk
 Internet: www.jumo.co.uk

JUMO Process Control, Inc.
 6733 Myers Road
 East Syracuse, NY 13057, USA
 Phone: +1 315 437 5866
 Fax: +1 315 437 5860
 Email: info.us@jumo.net
 Internet: www.jumousa.com



Order details

(1) Basic type	
402090/000	JUMO MAERA S26 – Level probe
402090/023	JUMO MAERA S26 – Level probe with improved accuracy ^a
402090/999	JUMO MAERA S26 – Level probe, special version ^b
(2) Input	
451	0 to 0.25 bar relative pressure
452	0 to 0.4 bar relative pressure
453	0 to 0.6 bar relative pressure
454	0 to 1 bar relative pressure
455	0 to 1.6 bar relative pressure
456	0 to 2.5 bar relative pressure
457	0 to 4 bar relative pressure
458	0 to 6 bar relative pressure
459	0 to 10 bar relative pressure
999	Special measuring range for relative pressure ^c
(3) Output	
402	0 to 20 mA, three-wire
405	4 to 20 mA, two-wire
406	4 to 20 mA, three-wire
412	0.5 to 4.5 V, three-wire
415	0 to 10 V, three-wire
418	1 to 5 V, three-wire
420	1 to 6 V, three-wire
(4) Process connection	
567	G 1/4 inside
658	Connection closed at the bottom
659	Connection open at the bottom
(5) Process connection material	
20	CrNi (stainless steel)
(6) Electrical connection type	
14	PUR cable, gray, shielded, as suitable for use in water (lake, water well, and mine water), as well as coolant, and lubricant (UV-resistant)
15	PE-LD cable, black, shielded, as suitable for use in water (lake, water well, and mine water, and UV-resistant)
25	FEP cable, black, shielded, as suitable for use in water (sea, lake, water well, and mine water) and in different oils, fuels, and solvents (UV-resistant)
26	Submersible motor cable, EPR cable, blue ^d
(7) Cable length of the connecting cable	
005	5 m
010	10 m
...	...
100	100 m
(8) Extra codes	
000	None
067	CSA approval
593	Cutting ring fitting (preparation for protection tube)
631	Improved moisture and vibration protection
881	Drinking water approval ^e
917	EPDM seal

JUMO GmbH & Co. KG
 Delivery address: Mackenrodtstraße 14
 36039 Fulda, Germany
 Postal address: 36035 Fulda, Germany
 Phone: +49 661 6003-0
 Fax: +49 661 6003-607
 Email: mail@jumo.net
 Internet: www.jumo.net

JUMO Instrument Co. Ltd.
 JUMO House
 Temple Bank, Riverway
 Harlow, Essex, CM20 2DY, UK
 Phone: +44 1279 63 55 33
 Fax: +44 1279 62 50 29
 Email: sales@jumo.co.uk
 Internet: www.jumo.co.uk




JUMO Process Control, Inc.
 6733 Myers Road
 East Syracuse, NY 13057, USA
 Phone: +1 315 437 5866
 Fax: +1 315 437 5860
 Email: info.us@jumo.net
 Internet: www.jumousa.com



- a Measuring devices with improved accuracy can only be supplied with output 4 to 20 mA, two-wire (output 405), **and** measuring ranges from 0 to 0.6 bar.
- b Without CSA approval
- c Measuring ranges up to 10 bar (100 mWS) are available with CSA approval.
- d Only with 4 to 20 mA, two-wire (output 405)
- e Only with EPDM seal (extra code 917), PE-LED cable (electrical connection 15) and submersible motor cable, EPR cable (electrical connection 26)

Order code	<div style="display: flex; justify-content: space-around; align-items: center;"> <div style="border: 1px solid black; width: 30px; height: 15px; text-align: center; font-size: 8px;">(1)</div> <div style="font-size: 10px;">-</div> <div style="border: 1px solid black; width: 30px; height: 15px; text-align: center; font-size: 8px;">(2)</div> <div style="font-size: 10px;">-</div> <div style="border: 1px solid black; width: 30px; height: 15px; text-align: center; font-size: 8px;">(3)</div> <div style="font-size: 10px;">-</div> <div style="border: 1px solid black; width: 30px; height: 15px; text-align: center; font-size: 8px;">(4)</div> <div style="font-size: 10px;">-</div> <div style="border: 1px solid black; width: 30px; height: 15px; text-align: center; font-size: 8px;">(5)</div> <div style="font-size: 10px;">-</div> <div style="border: 1px solid black; width: 30px; height: 15px; text-align: center; font-size: 8px;">(6)</div> <div style="font-size: 10px;">-</div> <div style="border: 1px solid black; width: 30px; height: 15px; text-align: center; font-size: 8px;">(7)</div> <div style="font-size: 10px;">/</div> <div style="border: 1px solid black; width: 30px; height: 15px; text-align: center; font-size: 8px;">(8)</div> </div>
Order example	402090/000 - 454 - 405 - 659 - 20 - 15 - 010 / 000

Accessories

Item	Description	Part no.
Terminal box with pressure compensation element 	<p>The terminal box is used for secure installation of the level probe cable. The end of the pressure equalization hose is always protected from precipitate and condensation (IP65). The remaining distribution can be performed with a cable without a pressure equalization hose.</p> <p>The terminal case should be mounted as close as possible to the medium surface while still outside the medium to ensure the system is implemented cost-effectively and in the best possible way.</p>	00061206
Cable clamp 	<p>The cable clamp holds the probe in the liquid at a defined depth and provides strain relief. Use of the cable clamp ensures that the cable is not deformed in an unacceptable manner.</p> <p>The cable clamp is compatible with all JUMO level probes.</p> <p>The clamping range is 5.5 mm to 10.5 mm. The maximum tensile strength is 2.5 kN. The case is made of hot-dip galvanized steel sheet. The clamping jaws and guide clips are made of glass fiber reinforced polyamide. A stainless steel variant is also available upon request.</p>	00061389
Sealing screw 	<p>For closed containers or water wells with a well head, the cable should be guided through and fastened by a sealing screw.</p> <p>The sealing screw is made up of a G 1 1/2" thread and is used to route the cable.</p>	00333329
Pressure compensation filter for cable	<p>The pressure compensation filter is a breathable filter that ensures aeration and exhaust-air ventilation without moisture penetrating. It is fitted at the end of the special cable.</p>	00382632