

**JUMO GmbH & Co. KG**  
Delivery address: Mackenrodtstraße 14  
36039 Fulda, Germany  
Postal address: 36035 Fulda, Germany  
Phone: +49 661 6003-0  
Fax: +49 661 6003-607  
Email: mail@jumo.net  
Internet: www.jumo.net

**JUMO Instrument Co. Ltd.**  
JUMO House  
Temple Bank, Riverway  
Harlow, Essex, CM20 2DY, UK  
Phone: +44 1279 63 55 33  
Fax: +44 1279 62 50 29  
Email: sales@jumo.co.uk  
Internet: www.jumo.co.uk

**JUMO Process Control, Inc.**  
6733 Myers Road  
East Syracuse, NY 13057, USA  
Phone: +1 315 437 5866  
Fax: +1 315 437 5860  
Email: info.us@jumo.net  
Internet: www.jumousa.com



# JUMO MIDAS S06

## OEM-Pressure Transmitter – Low Pressure

### Applications

- HVAC (heating, ventilating, and air conditioning)
- Filter technology
- Mechanical and plant engineering
- Level measurement
- Bubble-through method
- Packaging industry

### Brief description

The JUMO MIDAS S06 pressure transmitter is already available with measuring ranges as of 100 mbar. The used silicon sensor can handle extreme overloading even in the lowest measuring ranges and is capable of handling millions of pressure cycles.

The fully welded and therefore seal-free measuring system made of high-grade stainless steel allows this device to be used in almost all media, even when the conditions are rough.

The structure ensures optimum protection against process medium leakage.



Type 401011 with cable socket



Type 401011 with M12 × 1 connector

### Customer benefits

- **Economic**  
A high degree of automation (digital compensation and calibration of sensor module) reduces production time and manufacturing costs.
- **Process reliability**  
The piezoresistive silicon sensor has a high level of overload protection and long-term stability. The full final inspection in the fully automated measuring and calibration facility ensures that each pressure transmitter is of high quality.
- **Time-saving, uncomplicated, and versatile**  
The installation of the measuring device requires little work and the electrical installation is simple. The modular structure allows universal use in almost any application.

### Special features

- Measuring ranges as of 100 mbar
- Suitable for measuring aggressive liquids
- High degree of process reliability due to a welded measuring system with no seals
- Robust and maintenance-free measurement technology thanks to extreme overload resistance
- 60 % quicker device installation with the QUICKON quick-clamp technology
- Parts in contact with media are made of stainless steel

**JUMO GmbH & Co. KG**  
 Delivery address: Mackenrodtstraße 14  
 36039 Fulda, Germany  
 Postal address: 36035 Fulda, Germany  
 Phone: +49 661 6003-0  
 Fax: +49 661 6003-607  
 Email: mail@jumo.net  
 Internet: www.jumo.net

**JUMO Instrument Co. Ltd.**  
 JUMO House  
 Temple Bank, Riverway  
 Harlow, Essex, CM20 2DY, UK  
 Phone: +44 1279 63 55 33  
 Fax: +44 1279 62 50 29  
 Email: sales@jumo.co.uk  
 Internet: www.jumo.co.uk

**JUMO Process Control, Inc.**  
 6733 Myers Road  
 East Syracuse, NY 13057, USA  
 Phone: +1 315 437 5866  
 Fax: +1 315 437 5860  
 Email: info.us@jumo.net  
 Internet: www.jumousa.com



## Technical data

### General Information

Reference conditions	DIN 16086 and DIN EN 60770
Sensor	
Material	Silicon sensor with stainless steel separating membrane (piezo-resistive)
Pressure transfer medium	Synthetic oil
Admissible load changes	> 10 million
Mounting position	Any
Calibration position	Device stands upright, process connection at the bottom
Zero point offset depending on position	≤ 1.5 mbar, process connection at the top

### Measuring range and accuracy

Measuring range mbar	Linearity <sup>a</sup> % MSP <sup>e</sup>	Accuracy at		Long-term stability <sup>b</sup> % MSP per year	Overload capacity bar	Burst pressure bar
		20 °C <sup>c</sup> % MSP	-20 to +100 °C <sup>d</sup> (80 °C) % MSP			
0 to 100 mbar relative pressure	0.35	1.2	2 <sup>f</sup>	< 1.0	-0.4 to +0.4	-0.6 to +0.6
0 to 160 mbar relative pressure	0.3	0.8	1.9 <sup>f</sup>		-0.7 to +0.7	-1 to +1
0 to 0,25 bar relative pressure	0.3	0.8	1.8 <sup>f</sup>		-1 to +1	-1 to +1.5
0 to 0,4 bar relative pressure	0.3	0.7	1.7	< 0.4	-1 to +1.6	-1 to +2
0 to 0,6 bar relative pressure	0.3	0.7	1.6		-1 to +2.4	-1 to +3.6
-100 to +100 mbar relative pressure	0.3	1	2 <sup>f</sup>		-0.4 to +0.4	-0.6 to +0.6
-400 to +400 mbar relative pressure	0.3	0.7	1.7		-1 to +1.6	-1 to +2

<sup>a</sup> Linearity according to limit point setting

<sup>b</sup> Reference conditions EN 61298-1

<sup>c</sup> Includes: linearity, hysteresis, repeatability, deviation of measuring range initial value and measuring range end value

<sup>d</sup> Includes: linearity, hysteresis, repeatability, deviation of measuring range initial value and measuring range end value, thermal effect on measuring range start and measuring span

<sup>e</sup> MSP = measuring span

<sup>f</sup> Maximum admissible ambient and medium temperature 0 to 80 °C

### Output

Analog output <sup>a</sup>	
Current	
Output 405	4 to 20 mA, two-wire
Voltage	
Output 412	DC 0.5 to 4.5 V, three-wire, ratiometric 10 to 90 % of the voltage supply
Output 415	DC 0 to 10 V, three-wire
Output 418	DC 1 to 5 V, three-wire
Output 420	DC 1 to 6 V, three-wire
Step response T <sub>90</sub>	≤ 5 ms
Burden	
Current	$R_L \leq (U_B - 8 V) \div 0.02 A (\Omega)$
4 to 20 mA, two-wire (output 405)	
Voltage	
DC 0.5 to 4.5 V, three-wire (output 412)	$R_L \geq 5 k\Omega$
DC 0 to 10 V, three-wire (output 415)	$R_L \geq 10 k\Omega$
DC 1 to 5 V, three-wire (output 418)	$R_L \geq 10 k\Omega$
DC 1 to 6 V, three-wire (output 420)	$R_L \geq 10 k\Omega$

<sup>a</sup> Further outputs are available upon request.

**JUMO GmbH & Co. KG**  
 Delivery address: Mackenrodtstraße 14  
 36039 Fulda, Germany  
 Postal address: 36035 Fulda, Germany  
 Phone: +49 661 6003-0  
 Fax: +49 661 6003-607  
 Email: mail@jumo.net  
 Internet: www.jumo.net

**JUMO Instrument Co. Ltd.**  
 JUMO House  
 Temple Bank, Riverway  
 Harlow, Essex, CM20 2DY, UK  
 Phone: +44 1279 63 55 33  
 Fax: +44 1279 62 50 29  
 Email: sales@jumo.co.uk  
 Internet: www.jumo.co.uk

**JUMO Process Control, Inc.**  
 6733 Myers Road  
 East Syracuse, NY 13057, USA  
 Phone: +1 315 437 5866  
 Fax: +1 315 437 5860  
 Email: info.us@jumo.net  
 Internet: www.jumousa.com



## Mechanical features

Material	
Process connection	Stainless steel 304 <sup>a</sup>
Membranes	Stainless steel 316 L
Housing	Stainless steel 304
Attached cable (electrical connection 11)	PBT-GF30, PVC, PE
QUICKON (electrical connection 23)	PBT-GF30
Round plug M12 × 1 (electrical connection 36)	PBT-GF30, stainless steel 303
Bayonet connector (electrical connection 53)	PBT-GF30
Cable socket (electrical connection 61)	PBT-GF30, PA, silicone
Weight	80 g with G 1/4 (process connection 502)

<sup>a</sup> Pressure transmitters with G 1/4 (process connection 521) are supplied with an FPM seal. Note the medium durability of the seal material!

## Environmental influences

Admissible temperatures	Measuring range 100, 160, 250, -100 to +100 mbar	Measuring range ≥ 0,4 bar
Medium temperature	0 to 80 °C	-20 to +100 °C
Ambient temperature	0 to 80 °C	-20 to +100 °C
Storage temperature	-20 to +100 °C	-20 to +100 °C
Admissible humidity		
Operation	100 % rel. humidity including condensation on the device outer case	
Storage	90 % rel. humidity without condensation	
Admissible mechanical load		
Vibration resistance	20 g at 10 to 2000 Hz, according to IEC 60068-2-6	
Shock resistance	50 g for 11 ms, 100 g for 1 ms, according to IEC 60068-2-27	
Electromagnetic compatibility	According to EN 61326-2-3	
Interference emission	Class B <sup>a</sup>	
Interference immunity	Industrial requirement	
Protection type for electrical connection	According to EN 60529	
Attached cable (electrical connection 11)	IP66 for relative pressure measuring range, IP67 for absolute pressure measuring range	
QUICKON (electrical connection 23) <sup>b</sup>	IP66	
Round plug M12 × 1 (electrical connection 36) <sup>c</sup>	IP66	
Bayonet connector (electrical connection 53) <sup>c</sup>	IP67	
Cable socket (electrical connection 61) <sup>c, d</sup>	IP65	

<sup>a</sup> The product is suitable for industrial use as well as for households and small businesses.

<sup>b</sup> Connecting cable diameter, minimum 3.5 mm, maximum 6 mm

<sup>c</sup> The protection type is only achieved with a suitable mounted counter piece.

<sup>d</sup> Connecting cable diameter, minimum 6 mm, maximum 8 mm

**JUMO GmbH & Co. KG**  
 Delivery address: Mackenrodtstraße 14  
 36039 Fulda, Germany  
 Postal address: 36035 Fulda, Germany  
 Phone: +49 661 6003-0  
 Fax: +49 661 6003-607  
 Email: mail@jumo.net  
 Internet: www.jumo.net

**JUMO Instrument Co. Ltd.**  
 JUMO House  
 Temple Bank, Riverway  
 Harlow, Essex, CM20 2DY, UK  
 Phone: +44 1279 63 55 33  
 Fax: +44 1279 62 50 29  
 Email: sales@jumo.co.uk  
 Internet: www.jumo.co.uk

**JUMO Process Control, Inc.**  
 6733 Myers Road  
 East Syracuse, NY 13057, USA  
 Phone: +1 315 437 5866  
 Fax: +1 315 437 5860  
 Email: info.us@jumo.net  
 Internet: www.jumousa.com



## Auxiliary power

Voltage supply $U_B^a$ 4 to 20 mA, two-wire (output 405) DC 0.5 to 4.5 V, three-wire (output 412)  DC 0 to 10 V, three-wire (output 415) DC 1 to 5 V, three-wire (output 418) DC 1 to 6 V, three-wire (output 420)	DC 8 to 30 V, rated voltage supply DC 24 V DC 3 to 5.25 V, rated voltage supply DC 5 V, ratiometric output 10 to 90 % of the voltage supply DC 11.5 to 30 V, rated voltage supply DC 24 V DC 8 to 30 V, rated voltage supply DC 24 V DC 8 to 30 V, rated voltage supply DC 24 V
Current consumption 4 to 20 mA, two-wire (output 405) DC 0.5 to 4.5 V, three-wire (output 412) DC 0 to 10 V, three-wire (output 415) DC 1 to 5 V, three-wire (output 418) DC 1 to 6 V, three-wire (output 420)	$\leq 25$ mA $\leq 2$ mA $\leq 3$ mA $\leq 3$ mA $\leq 3$ mA
Reverse voltage protection	Yes
Electrical circuit Requirements	SELV The device must be equipped with an electrical circuit that meets the requirements of EN 61010-1 with regard to "Limited-energy circuits".

<sup>a</sup> Residual ripple: the voltage peaks must not exceed or fall below the specified voltage supply values!

**JUMO GmbH & Co. KG**  
 Delivery address: Mackenrodtstraße 14  
 36039 Fulda, Germany  
 Postal address: 36035 Fulda, Germany  
 Phone: +49 661 6003-0  
 Fax: +49 661 6003-607  
 Email: mail@jumo.net  
 Internet: www.jumo.net

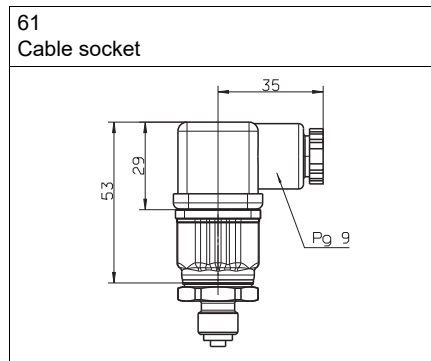
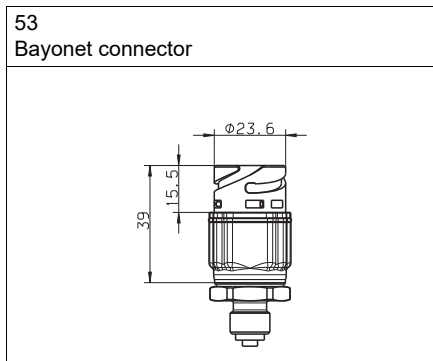
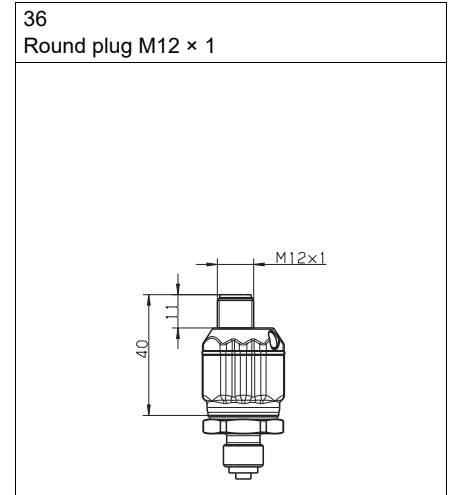
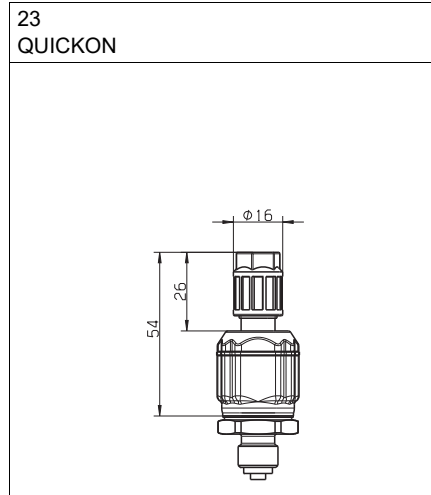
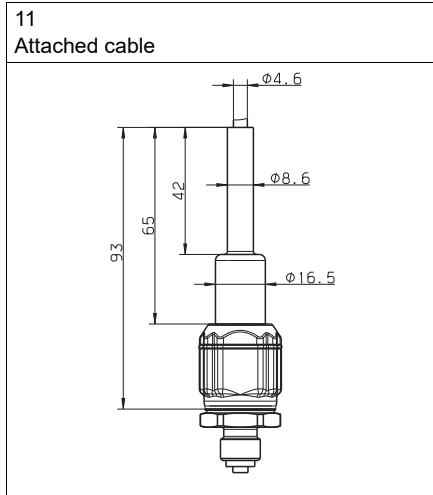
**JUMO Instrument Co. Ltd.**  
 JUMO House  
 Temple Bank, Riverway  
 Harlow, Essex, CM20 2DY, UK  
 Phone: +44 1279 63 55 33  
 Fax: +44 1279 62 50 29  
 Email: sales@jumo.co.uk  
 Internet: www.jumo.co.uk

**JUMO Process Control, Inc.**  
 6733 Myers Road  
 East Syracuse, NY 13057, USA  
 Phone: +1 315 437 5866  
 Fax: +1 315 437 5860  
 Email: info.us@jumo.net  
 Internet: www.jumousa.com



# Dimensions

## Electrical connection



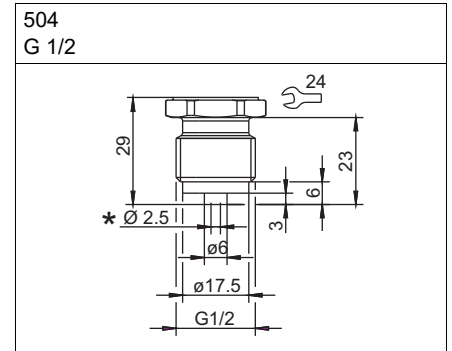
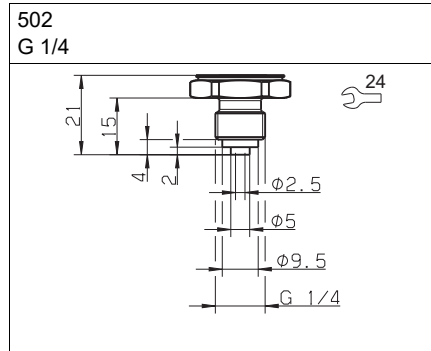
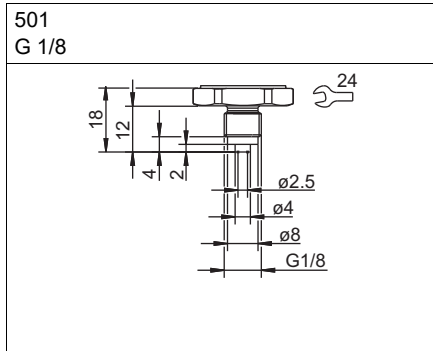
**JUMO GmbH & Co. KG**  
 Delivery address: Mackenrodtstraße 14  
 36039 Fulda, Germany  
 Postal address: 36035 Fulda, Germany  
 Phone: +49 661 6003-0  
 Fax: +49 661 6003-607  
 Email: mail@jumo.net  
 Internet: www.jumo.net

**JUMO Instrument Co. Ltd.**  
 JUMO House  
 Temple Bank, Riverway  
 Harlow, Essex, CM20 2DY, UK  
 Phone: +44 1279 63 55 33  
 Fax: +44 1279 62 50 29  
 Email: sales@jumo.co.uk  
 Internet: www.jumo.co.uk

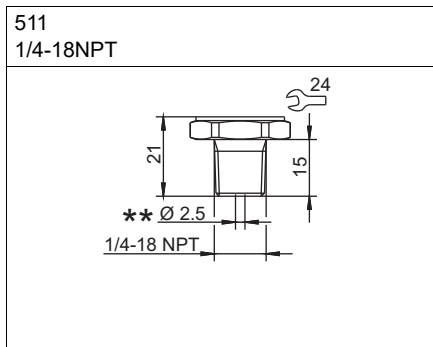
**JUMO Process Control, Inc.**  
 6733 Myers Road  
 East Syracuse, NY 13057, USA  
 Phone: +1 315 437 5866  
 Fax: +1 315 437 5860  
 Email: info.us@jumo.net  
 Internet: www.jumousa.com



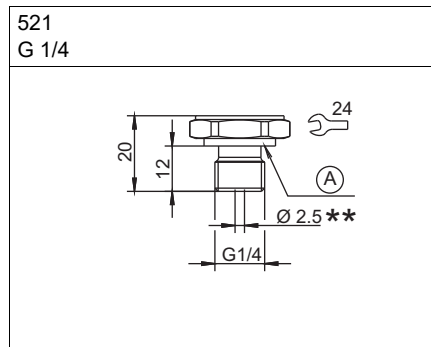
**Process connection**



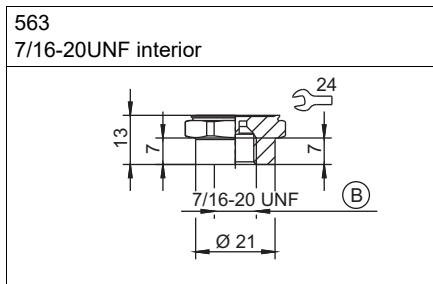
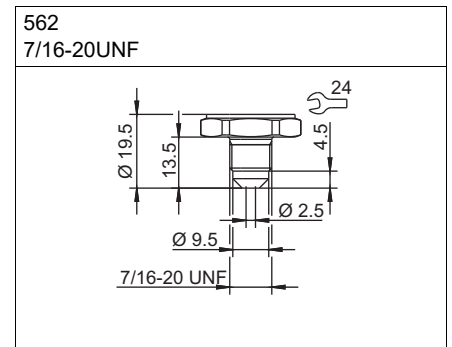
\* Extra code 630 pressure channel  
 Ø 12 mm



\*\* Extra code 630 pressure channel  
 Ø 8 mm



\*\* Extra Code 630 pressure channel  
 Ø 8 mm  
 A Profile seal G 1/4



B With valve core handle

**JUMO GmbH & Co. KG**  
 Delivery address: Mackenrodtstraße 14  
 36039 Fulda, Germany  
 Postal address: 36035 Fulda, Germany  
 Phone: +49 661 6003-0  
 Fax: +49 661 6003-607  
 Email: mail@jumo.net  
 Internet: www.jumo.net

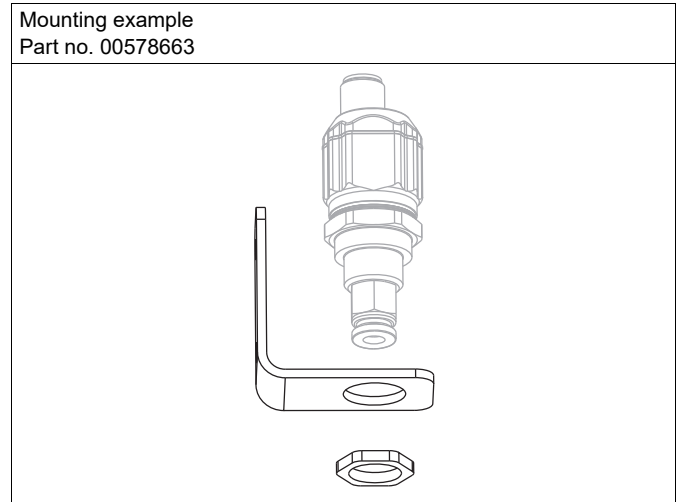
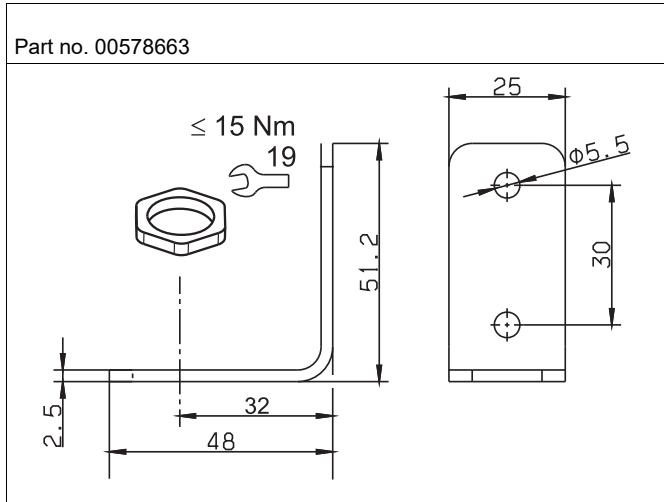
**JUMO Instrument Co. Ltd.**  
 JUMO House  
 Temple Bank, Riverway  
 Harlow, Essex, CM20 2DY, UK  
 Phone: +44 1279 63 55 33  
 Fax: +44 1279 62 50 29  
 Email: sales@jumo.co.uk  
 Internet: www.jumo.co.uk

**JUMO Process Control, Inc.**  
 6733 Myers Road  
 East Syracuse, NY 13057, USA  
 Phone: +1 315 437 5866  
 Fax: +1 315 437 5860  
 Email: info.us@jumo.net  
 Internet: www.jumousa.com



## Mounting kit

### Accessories



**JUMO GmbH & Co. KG**  
 Delivery address: Mackenrodtstraße 14  
 36039 Fulda, Germany  
 Postal address: 36035 Fulda, Germany  
 Phone: +49 661 6003-0  
 Fax: +49 661 6003-607  
 Email: mail@jumo.net  
 Internet: www.jumo.net


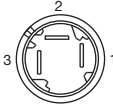
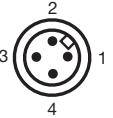

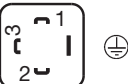


**JUMO Instrument Co. Ltd.**  
 JUMO House  
 Temple Bank, Riverway  
 Harlow, Essex, CM20 2DY, UK  
 Phone: +44 1279 63 55 33  
 Fax: +44 1279 62 50 29  
 Email: sales@jumo.co.uk  
 Internet: www.jumo.co.uk

**JUMO Process Control, Inc.**  
 6733 Myers Road  
 East Syracuse, NY 13057, USA  
 Phone: +1 315 437 5866  
 Fax: +1 315 437 5860  
 Email: info.us@jumo.net  
 Internet: www.jumousa.com



## Connection diagram

The connection diagram in the data sheet provides preliminary information about the connection options. For the electrical connection, only use the installation instructions or the operating manual. The knowledge and the correct technical compliance with the safety information and warnings contained in these documents are mandatory for mounting, electrical connection, and startup as well as for safety during operation.

Connection		Terminal assignment (figure: connection to the pressure transmitter)				
						
		11 Attached cable	23 QUICKON	36 Round plug M12 × 1	53 Bayonet connector	61 Cable socket
<b>4 to 20 mA, two-wire (output 405)</b>						
Voltage supply DC 8 to 30 V	U <sub>B</sub> /S+	WH	1	1	1	1
	0 V/S-	BN	3	3	2	2
<b>DC 0.5 to 4.5 V ratiometric (output 412)</b>						
Voltage supply DC 3 to 5.25 V	U <sub>B</sub>	WH	1	1	1	1
Ratiometric output 10 to 90 % of the voltage supply	0 V/S-	BN	2	2	2	2
	S+	GN	3	3	3	3
<b>DC 0 to 10 V, three-wire (output 415)</b>						
Voltage supply DC 11.5 to 30 V	U <sub>B</sub>	WH	1	1	1	1
	0 V/S-	BN	2	2	2	2
	S+	GN	3	3	3	3
<b>DC 1 to 5 V, three-wire (output 418)</b> <b>DC 1 to 6 V, three-wire (output 420)</b>						
Voltage supply DC 8 to 30 V	U <sub>B</sub>	WH	1	1	1	1
	0 V/S-	BN	2	2	2	2
	S+	GN	3	3	3	3
Functional bonding conductor FB <sup>a</sup>		-	-	4	-	

<sup>a</sup> The pressure transmitter has to be connected to the potential equalization system of the plant through the electrical connection or process connection.



**JUMO GmbH & Co. KG**  
 Delivery address: Mackenrodtstraße 14  
 36039 Fulda, Germany  
 Postal address: 36035 Fulda, Germany  
 Phone: +49 661 6003-0  
 Fax: +49 661 6003-607  
 Email: mail@jumo.net  
 Internet: www.jumo.net

**JUMO Instrument Co. Ltd.**  
 JUMO House  
 Temple Bank, Riverway  
 Harlow, Essex, CM20 2DY, UK  
 Phone: +44 1279 63 55 33  
 Fax: +44 1279 62 50 29  
 Email: sales@jumo.co.uk  
 Internet: www.jumo.co.uk

**JUMO Process Control, Inc.**  
 6733 Myers Road  
 East Syracuse, NY 13057, USA  
 Phone: +1 315 437 5866  
 Fax: +1 315 437 5860  
 Email: info.us@jumo.net  
 Internet: www.jumousa.com



**Assignment variants electrical connection, extra code 933**

Please provide the assignment variant in plain text with the order details (for example "B1")!

Connection		Terminal assignment (figure: connection to the pressure transmitter)			
		36 Round plug M12 × 1		61 Cable socket	
Assignment variants		B1	B2	B3	B4
<b>4 to 20 mA, two-wire (output 405)</b>					
Voltage supply DC 8 to 30 V	U <sub>B</sub> /S+	1	4		2
	0 V/S-	2	1		1
<b>DC 0 to 10 V, three-wire (output 415)</b>					
Voltage supply DC 11.5 to 30 V	U <sub>B</sub>	1	1	1	3
	0 V/S-	3	4	2	2
	S+	4	2	4	1
<b>DC 1 to 5 V, three-wire (output 418)</b>					
DC 1 to 6 V, three-wire (output 420)					
Voltage supply DC 8 to 30 V	U <sub>B</sub>	1	1	1	3
	0 V/S-	3	4	2	2
	S+	4	2	4	1
Functional bonding conductor FB <sup>a</sup>		-	-	-	

<sup>a</sup> The pressure transmitter has to be connected to the potential equalization system of the plant through the electrical connection or process connection.

<b>Color coding: connecting cable round plug M12 × 1</b>	1 BN	Brown
	2 WH	White
	3 BU	Blue
	4 BK	Black
The color coding is <b>only</b> valid for A-coded standard cables!		

**JUMO GmbH & Co. KG**  
 Delivery address: Mackenrodtstraße 14  
 36039 Fulda, Germany  
 Postal address: 36035 Fulda, Germany  
 Phone: +49 661 6003-0  
 Fax: +49 661 6003-607  
 Email: mail@jumo.net  
 Internet: www.jumo.net

**JUMO Instrument Co. Ltd.**  
 JUMO House  
 Temple Bank, Riverway  
 Harlow, Essex, CM20 2DY, UK  
 Phone: +44 1279 63 55 33  
 Fax: +44 1279 62 50 29  
 Email: sales@jumo.co.uk  
 Internet: www.jumo.co.uk

**JUMO Process Control, Inc.**  
 6733 Myers Road  
 East Syracuse, NY 13057, USA  
 Phone: +1 315 437 5866  
 Fax: +1 315 437 5860  
 Email: info.us@jumo.net  
 Internet: www.jumousa.com



## Order details

<b>(1) Basic type</b>	
401011/000	JUMO MIDAS S06 - OEM pressure transmitter – Low pressure
401011/999	JUMO MIDAS S06 - OEM pressure transmitter, special version
<b>(2) Input</b>	
414	0 to 100 mbar relative pressure
415	0 to 160 mbar relative pressure
451	0 to 0,25 bar relative pressure
452	0 to 0,4 bar relative pressure
453	0 to 0,6 bar relative pressure
446	-100 to +100 mbar relative pressure
447	-400 to +400 mbar relative pressure
999	Special measuring range for relative pressure
<b>(3) Output</b>	
405	4 to 20 mA, two-wire
412	DC 0.5 to 4.5 V, three-wire
415	DC 0 to 10 V, three-wire
418	DC 1 to 5 V, three-wire
420	DC 1 to 6 V, three-wire
<b>(4) Process connection</b>	
501	G 1/8 according to DIN EN 837
502	G 1/4 according to DIN EN 837
504	G 1/2 according to DIN EN 837
511	1/4-18 NPT according to DIN EN 837
521	G 1/4 according to DIN 3852-11
562	7/16-20 UNF
563	7/16-20 UNF inside, with valve core handle
<b>(5) Process connection material</b>	
20	CrNi (stainless steel)
<b>(6) Electrical connection</b>	
11	Attached cable <sup>a</sup>
23	QUICKON
36	Round plug M12 × 1
53	Device connector bayonet DN 72585
61	Cable socket DIN EN 175301-803, Form A
<b>(8) Extra codes</b>	
000	None
591	Restrictor in pressure channel
624	Oil and grease free
630	Enlarged pressure channel <sup>b</sup>
933	Assignment variant electrical connection <sup>c</sup>
950	Railway application <sup>d</sup>

<sup>a</sup> The standard cable length is 2 m. Further lengths are available upon request.

<sup>b</sup> An enlarged pressure channel is only available with process connections 1/4-18 NPT (process connection 511) and G 1/4 (process connection 521).

<sup>c</sup> Specify assignment variants in plain text.

<sup>d</sup> The devices are tested to railway standard EN 50155:2017. Extra code 950 can only be selected for devices with output 4 to 20 mA (output 405) and round plug M12 × 1 (electrical connection 36) or cable socket DIN EN 175301-803 Form A (electrical connection 61). Note on EMC: If interference is caused by high-frequency fields (DIN EN 61000-4-3), deviations of up to 3 % of the MSP may occur at certain frequencies.

**JUMO GmbH & Co. KG**  
 Delivery address: Mackenrodtstraße 14  
 36039 Fulda, Germany  
 Postal address: 36035 Fulda, Germany  
 Phone: +49 661 6003-0  
 Fax: +49 661 6003-607  
 Email: mail@jumo.net  
 Internet: www.jumo.net

**JUMO Instrument Co. Ltd.**  
 JUMO House  
 Temple Bank, Riverway  
 Harlow, Essex, CM20 2DY, UK  
 Phone: +44 1279 63 55 33  
 Fax: +44 1279 62 50 29  
 Email: sales@jumo.co.uk  
 Internet: www.jumo.co.uk




**JUMO Process Control, Inc.**  
 6733 Myers Road  
 East Syracuse, NY 13057, USA  
 Phone: +1 315 437 5866  
 Fax: +1 315 437 5860  
 Email: info.us@jumo.net  
 Internet: www.jumousa.com



Order code: (1) [ ] - (2) [ ] - (3) [ ] - (4) [ ] - (5) [ ] - (6) [ ] / (7) [ ] , ...<sup>a</sup>  
 Order example: 401011/000 - 454 - 405 - 504 - 20 - 61 / 591

<sup>a</sup> List extra codes in sequence, separated by commas.

### Accessories

Designation	Description	Part no.
Ex-i repeater power supply/input isolating amplifier 	The Ex-i repeater power supply/input isolating amplifier is designed for operating intrinsically safe transmitters (Ex-i) and mA current sources installed in potentially explosive (Ex) areas.  Two-wire transmitters are supplied with energy and analog 0/4 to 20 mA measured values are transmitted from the Ex-area to the non-Ex-area. The output of the module can be operated actively or passively. Further technical data and the relevant safety requirements are available in the operating manual B 707530.0.	00577948
Cable box, straight 	The gray PVC connecting cable is 2 m in length and has a 4-pole, straight M12 × 1 connector with gold-plated contacts on the device side.	00404585
	The blue PUR connecting cable is 2 m in length and has a 4-pole, straight M12 × 1 connector with gold-plated contacts on the device side.  A pressure equalization hose that is used for versions with a relative pressure range is included in the cable.	00693035
Cable box, angled 	The gray PVC connecting cable is 2 m in length and has a 4-pole, angled M12 × 1 connector with gold-plated contacts on the device side.	00409334
	The blue PUR connecting cable is 2 m in length and has a 4-pole, angled M12 × 1 connector with gold-plated contacts on the device side.  A pressure equalization hose that is used for versions with a relative pressure range is included in the cable.	00693038