

JUMO GmbH & Co. KG
Delivery address: Mackenrodtstraße 14
36039 Fulda, Germany
Postal address: 36035 Fulda, Germany
Phone: +49 661 6003-0
Fax: +49 661 6003-607
Email: mail@jumo.net
Internet: www.jumo.net

JUMO Instrument Co. Ltd.
JUMO House
Temple Bank, Riverway
Harlow, Essex, CM20 2DY, UK
Phone: +44 1279 63 55 33
Fax: +44 1279 62 50 29
Email: sales@jumo.co.uk
Internet: www.jumo.co.uk

JUMO Process Control, Inc.
6733 Myers Road
East Syracuse, NY 13057, USA
Phone: +1 315 437 5866
Fax: +1 315 437 5860
Email: info.us@jumo.net
Internet: www.jumousa.com



JUMO MIDAS S05

OEM Pressure Transmitter – Universal

Applications

- HVAC (heating, ventilating, and air conditioning)
- Refrigeration engineering
- Compressor engineering
- Machinery and plant engineering
- Packaging industry

Brief description

The pressure transmitter is available with relative pressure and absolute pressure measuring ranges.

The fully welded measuring system (without seals) made of high-grade stainless steel allows this device to be used in almost all media, even in harsh conditions. The structure ensures optimum protection against process medium leakage.

The device features a silicon sensor that is extremely resistant to overloading even in the lowest measuring ranges and is capable of handling millions of pressure cycles.



Type 401010 with cable socket



Type 401010 with M12 × 1 connector

Customer benefits

- **Economic**
A high degree of automation (digital compensation and calibration of sensor module) reduces production time and manufacturing costs.
- **Process reliability**
The piezoresistive silicon sensor has a high level of overload protection and long-term stability. The full final inspection in the fully automated measuring and calibration facility ensures that each pressure transmitter is of high quality.
- **Time-saving, uncomplicated, and versatile**
The installation of the measuring device requires little work and the electrical installation is simple. The modular structure allows universal use in almost any application.

Special features

- 1 to 100 bar relative pressure, and also up to 25 bar absolute pressure
- High degree of process reliability due to a welded measuring system with no seals
- Robust and maintenance-free measurement technology thanks to extreme overload resistance
- 60 % quicker device installation with the QUICKON quick-clamp technology
- Robust construction guarantees a long operating life
- Wetted stainless steel parts

Approvals and approval marks (see technical data)



JUMO GmbH & Co. KG
 Delivery address: Mackenrodtstraße 14
 36039 Fulda, Germany
 Postal address: 36035 Fulda, Germany
 Phone: +49 661 6003-0
 Fax: +49 661 6003-607
 Email: mail@jumo.net
 Internet: www.jumo.net

JUMO Instrument Co. Ltd.
 JUMO House
 Temple Bank, Riverway
 Harlow, Essex, CM20 2DY, UK
 Phone: +44 1279 63 55 33
 Fax: +44 1279 62 50 29
 Email: sales@jumo.co.uk
 Internet: www.jumo.co.uk

JUMO Process Control, Inc.
 6733 Myers Road
 East Syracuse, NY 13057, USA
 Phone: +1 315 437 5866
 Fax: +1 315 437 5860
 Email: info.us@jumo.net
 Internet: www.jumousa.com



Technical data

General Information

Reference conditions	DIN 16086 and DIN EN 60770
Sensor	
Material	Silicon sensor with stainless steel separating membrane
Pressure transfer means	Synthetic oil
Admissible load changes	> 10 million
Mounting position	Any
Calibration position	Device upright, process connection at the bottom

Measuring range and accuracy

Measuring range bar	Linearity ^a % MSP ^f	Accuracy at		Long-term stability ^b % MSP per year	Overload- capability ^c bar	Burst pressure bar
		20 °C ^d % MSP	-20 to +100 °C ^e % MSP			
0 to 1 bar relative/absolute pressure	0.3	0.6	1.5	< 0.2	4	6
0 to 1.6 bar relative/absolute pressure	0.25	0.5	1.4		6	10
0 to 2.5 bar relative/absolute pressure	0.25	0.5	1.3		10	15
0 to 4 bar relative/absolute pressure	0.25	0.5	1.2		16	24
0 to 6 bar relative/absolute pressure	0.25	0.5	1.2		24	36
0 to 10 bar relative/absolute pressure	0.25	0.5	1.0		40	60
0 to 16 bar relative/absolute pressure	0.2	0.5	1.0		60	100
0 to 25 bar relative/absolute pressure	0.2	0.5	1.0		100	150
0 to 40 bar relative/absolute pressure	0.2	0.5	1.0		100	150
0 to 60 bar relative pressure	0.2	0.5	1.0		180	250
0 to 100 bar relative pressure	0.2	0.5	1.0		180	250
-600 to +600 mbar relative pressure	0.3	0.6	1.5		4	6
-1 to 0 bar relative pressure	0.3	0.6	1.5		4	6
-1 to +0.6 bar relative pressure	0.3	0.6	1.5		6	10
-1 to +1 bar relative pressure	0.3	0.6	1.5		6	10
-1 to +1.5 bar relative pressure	0.3	0.6	1.4		10	15
-1 to +3 bar relative pressure	0.3	0.5	1.3		16	24
-1 to +5 bar relative pressure	0.25	0.5	1.3		24	36
-1 to +9 bar relative pressure	0.25	0.5	1.2		40	60
-1 to +15 bar relative pressure	0.25	0.5	1.0		60	100
-1 to +24 bar relative pressure	0.2	0.5	1.0	100	150	
-1 to +30 bar relative pressure	0.2	0.5	1.0	100	150	

^a Linearity according to limit point setting

^b Reference conditions EN 61298-1

^c All pressure transmitters are vacuum-proof.

^d Includes: linearity, hysteresis, repeatability, deviation of measuring range initial value and measuring range end value

^e Includes: linearity, hysteresis, repeatability, deviation of measuring range initial value and measuring range end value, thermal effect on measuring range start and measuring span

^f MSP = measuring span

JUMO GmbH & Co. KG
 Delivery address: Mackenrodtstraße 14
 36039 Fulda, Germany
 Postal address: 36035 Fulda, Germany
 Phone: +49 661 6003-0
 Fax: +49 661 6003-607
 Email: mail@jumo.net
 Internet: www.jumo.net

JUMO Instrument Co. Ltd.
 JUMO House
 Temple Bank, Riverway
 Harlow, Essex, CM20 2DY, UK
 Phone: +44 1279 63 55 33
 Fax: +44 1279 62 50 29
 Email: sales@jumo.co.uk
 Internet: www.jumo.co.uk

JUMO Process Control, Inc.
 6733 Myers Road
 East Syracuse, NY 13057, USA
 Phone: +1 315 437 5866
 Fax: +1 315 437 5860
 Email: info.us@jumo.net
 Internet: www.jumousa.com



Output

Analog output ^a Current Voltage	4 to 20 mA, two-wire DC 0.5 to 4.5 V, three-wire, ratiometric 10 to 90 % of the voltage supply DC 0 to 10 V, three-wire DC 1 to 5 V, three-wire DC 1 to 6 V, three-wire
Step response T ₉₀	≤ 5 ms
Burden Current Voltage (burden connected to "0 V/S-")	$R_L \leq (U_B - 8 \text{ V}) \div 0.02 \text{ A } (\Omega)$ at 4 to 20 mA, two-wire $R_L \geq 5 \text{ k}\Omega$ at DC 0.5 to 4.5 V, three-wire $R_L \geq 10 \text{ k}\Omega$ at DC 0 to 10 V, three-wire $R_L \geq 10 \text{ k}\Omega$ at DC 1 to 5 V, three-wire $R_L \geq 10 \text{ k}\Omega$ at DC 1 to 6 V, three-wire

^a Further outputs are available upon request.

Mechanical features

Material Process connection Membranes Housing Attached cable QUICKON Round plug M12 × 1 Bayonet connector Line socket	Stainless steel 304 ^a Stainless steel 316 L Stainless steel 304 PBT-GF30, PVC, PE PBT-GF30 PBT-GF30, stainless steel 303 PBT-GF30 PBT-GF30, PA, silicone
Weight	80 g with process connection G 1/4

^a Pressure transmitters with process connection G 1/4 are supplied with an FKM seal. Ensure the medium durability of the seal material!

JUMO GmbH & Co. KG
 Delivery address: Mackenrodtstraße 14
 36039 Fulda, Germany
 Postal address: 36035 Fulda, Germany
 Phone: +49 661 6003-0
 Fax: +49 661 6003-607
 Email: mail@jumo.net
 Internet: www.jumo.net

JUMO Instrument Co. Ltd.
 JUMO House
 Temple Bank, Riverway
 Harlow, Essex, CM20 2DY, UK
 Phone: +44 1279 63 55 33
 Fax: +44 1279 62 50 29
 Email: sales@jumo.co.uk
 Internet: www.jumo.co.uk

JUMO Process Control, Inc.
 6733 Myers Road
 East Syracuse, NY 13057, USA
 Phone: +1 315 437 5866
 Fax: +1 315 437 5860
 Email: info.us@jumo.net
 Internet: www.jumousa.com



Environmental influences

Medium temperature for electrical connection	
Attached cable	-40 to +125 °C
Round plug M12 × 1	-40 to +125 °C
Bayonet connector	-40 to +125 °C
Line socket	-40 to +125 °C
Ambient temperature for electrical connection	
Attached cable	-30 to +100 °C At ambient temperature of -30 °C restricted function. Only use when stationary. Risk of cable break.
Round plug M12 × 1	-40 to +125 °C
Bayonet connector	-40 to +125 °C
Line socket	-40 to +125 °C
Storage temperature for electrical connection	
Attached cable	-30 to +100 °C
Round plug M12 × 1	-40 to +125 °C
Bayonet connector	-40 to +125 °C
Line socket	-40 to +125 °C
Admissible humidity	
Operation	100 % rel. humidity including condensation on the device outer case
Storage	90 % rel. humidity without condensation
Admissible mechanical load	
Vibration resistance	20 g at 10 to 2000 Hz, according to IEC 60068-2-6
Shock resistance	50 g for 11 ms, 100 g for 1 ms, according to IEC 60068-2-27
Electromagnetic compatibility (EMC)	According to EN 61326-2-3
Interference emission	Class B ^a
Interference immunity	Industrial requirement
Protection type for electrical connection	According to EN 60529
Attached cable	IP66 for relative pressure measuring range, IP67 for absolute pressure measuring range
QUICKON ^b	IP66
Round plug M12 × 1 ^c	IP66
Bayonet connector ^c	IP67
Line socket ^{c, d}	IP65

^a The product is suitable for industrial use as well as for households and small businesses.

^b Connecting cable diameter, minimum 3.5 mm, maximum 6 mm

^c The protection type is only achieved with a suitable mounted counter piece.

^d Connecting cable diameter, minimum 6 mm, maximum 8 mm

JUMO GmbH & Co. KG
 Delivery address: Mackenrodtstraße 14
 36039 Fulda, Germany
 Postal address: 36035 Fulda, Germany
 Phone: +49 661 6003-0
 Fax: +49 661 6003-607
 Email: mail@jumo.net
 Internet: www.jumo.net

JUMO Instrument Co. Ltd.
 JUMO House
 Temple Bank, Riverway
 Harlow, Essex, CM20 2DY, UK
 Phone: +44 1279 63 55 33
 Fax: +44 1279 62 50 29
 Email: sales@jumo.co.uk
 Internet: www.jumo.co.uk

JUMO Process Control, Inc.
 6733 Myers Road
 East Syracuse, NY 13057, USA
 Phone: +1 315 437 5866
 Fax: +1 315 437 5860
 Email: info.us@jumo.net
 Internet: www.jumousa.com



Electrical data

Voltage supply U_B^a 4 to 20 mA, two-wire DC 0.5 to 4.5 V, three-wire DC 0 to 10 V, three-wire DC 1 to 5 V, three-wire DC 1 to 6 V, three-wire	DC 8 to 30 V, rated voltage supply DC 24 V DC 3 to 5.25 V, rated voltage supply DC 5 V, ratiometric output 10 to 90 % of the voltage supply DC 11.5 to 30 V, rated voltage supply DC 24 V DC 8 to 30 V, rated voltage supply DC 24 V DC 8 to 30 V, rated voltage supply DC 24 V
Current consumption incl. load 4 to 20 mA, two-wire DC 0.5 to 4.5 V, three-wire DC 0 to 10 V, three-wire DC 1 to 5 V, three-wire DC 1 to 6 V, three-wire	≤ 25 mA ≤ 3 mA ≤ 3 mA ≤ 3 mA ≤ 3 mA
Reverse voltage protection 4 to 20 mA, two-wire DC 0.5 to 4.5 V, three-wire DC 0 to 10 V, three-wire DC 1 to 5 V, three-wire DC 1 to 6 V, three-wire	Yes No Yes Yes Yes
Electrical circuit Requirements	SELV The device must be equipped with an electrical circuit that meets the requirements of EN 61010-1 with regard to "Limited-energy circuits".

^a Residual ripple: the voltage peaks must not exceed or fall below the specified voltage supply values!

Approvals and approval marks

EAC Testing agency Certificates/certification numbers Inspection basis Valid for	«Промтехконтроль» ЕАЭС N RU Д-DE.РА01.В.80830/21 TR TS 020/2011 Type 401010
UL Testing agency Certificates/certification numbers Inspection basis Valid for	Underwriter Laboratories E201387 UL 61010-1 (3. Ed.), CAN/CSA-22.2 No. 61010-1 (3. Ed.) Extra code 061

JUMO GmbH & Co. KG
 Delivery address: Mackenrodtstraße 14
 36039 Fulda, Germany
 Postal address: 36035 Fulda, Germany
 Phone: +49 661 6003-0
 Fax: +49 661 6003-607
 Email: mail@jumo.net
 Internet: www.jumo.net

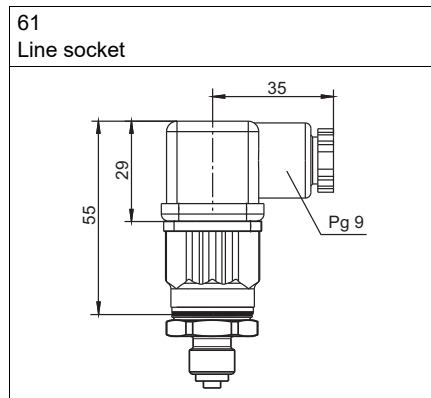
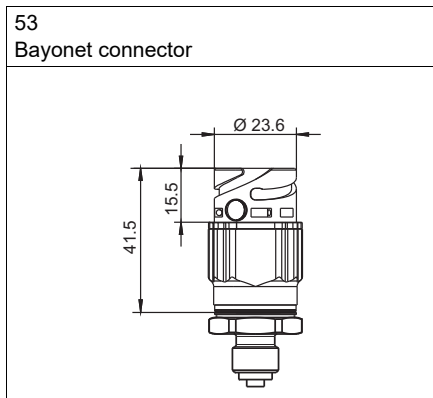
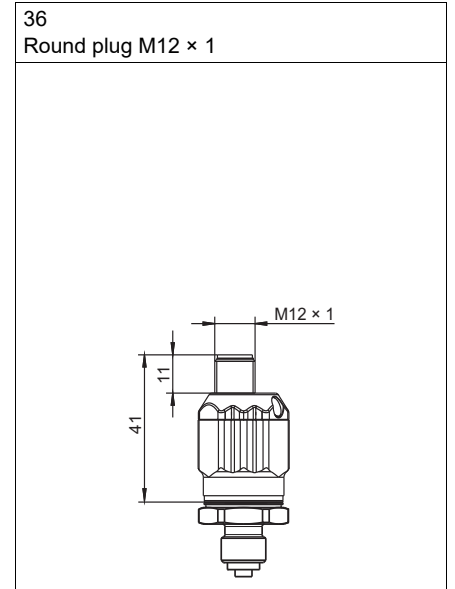
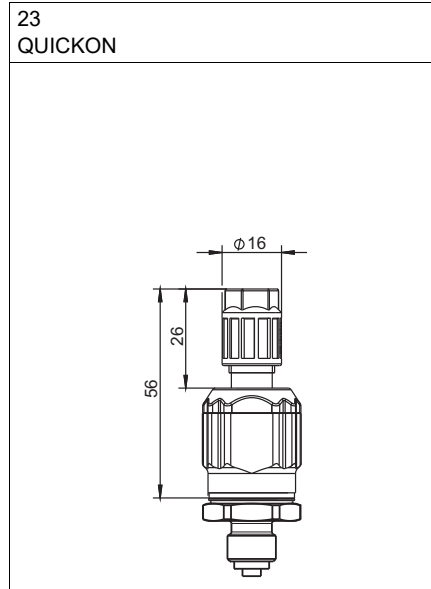
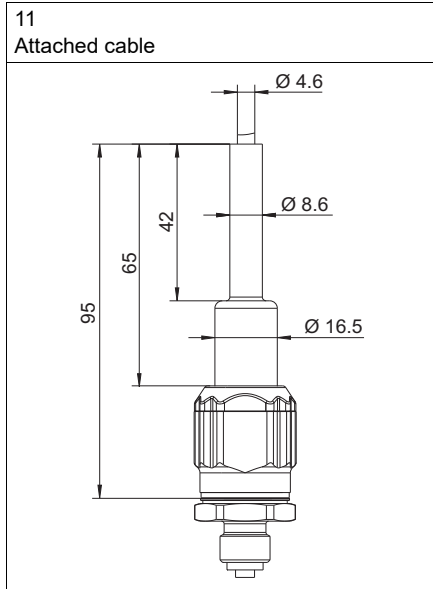
JUMO Instrument Co. Ltd.
 JUMO House
 Temple Bank, Riverway
 Harlow, Essex, CM20 2DY, UK
 Phone: +44 1279 63 55 33
 Fax: +44 1279 62 50 29
 Email: sales@jumo.co.uk
 Internet: www.jumo.co.uk

JUMO Process Control, Inc.
 6733 Myers Road
 East Syracuse, NY 13057, USA
 Phone: +1 315 437 5866
 Fax: +1 315 437 5860
 Email: info.us@jumo.net
 Internet: www.jumousa.com



Dimensions

Electrical connection



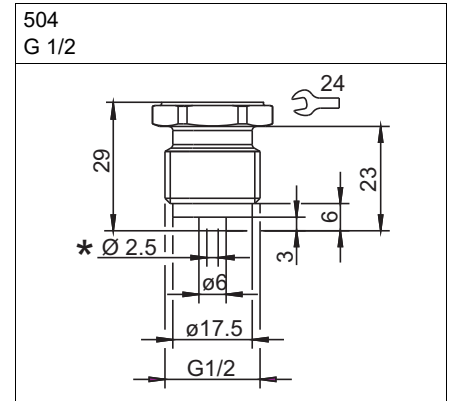
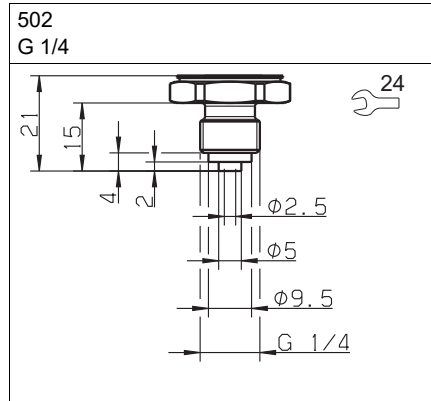
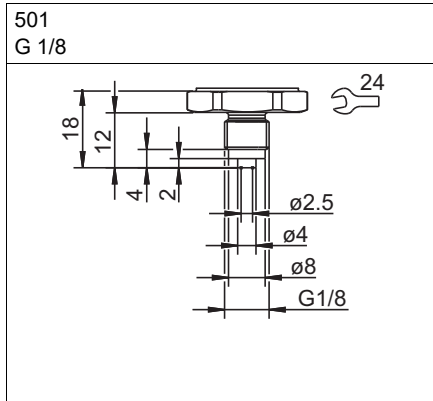
JUMO GmbH & Co. KG
 Delivery address: Mackenrodtstraße 14
 36039 Fulda, Germany
 Postal address: 36035 Fulda, Germany
 Phone: +49 661 6003-0
 Fax: +49 661 6003-607
 Email: mail@jumo.net
 Internet: www.jumo.net

JUMO Instrument Co. Ltd.
 JUMO House
 Temple Bank, Riverway
 Harlow, Essex, CM20 2DY, UK
 Phone: +44 1279 63 55 33
 Fax: +44 1279 62 50 29
 Email: sales@jumo.co.uk
 Internet: www.jumo.co.uk

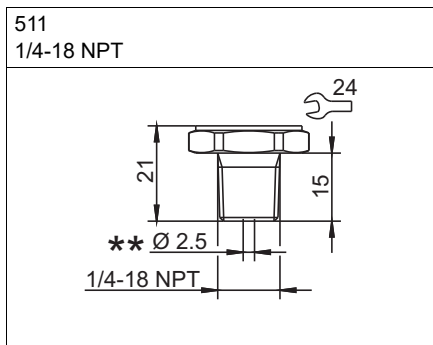
JUMO Process Control, Inc.
 6733 Myers Road
 East Syracuse, NY 13057, USA
 Phone: +1 315 437 5866
 Fax: +1 315 437 5860
 Email: info.us@jumo.net
 Internet: www.jumousa.com



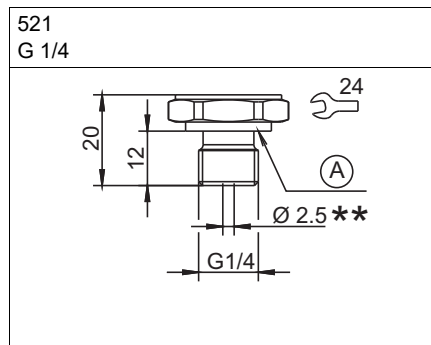
Process connection



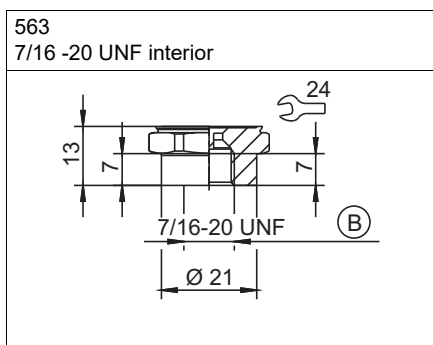
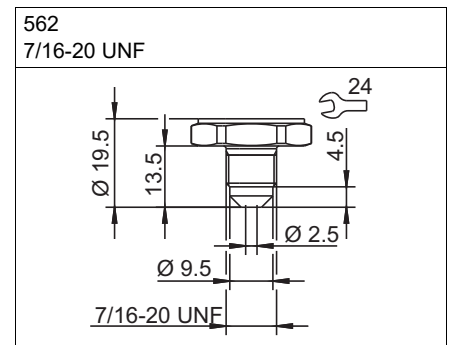
* Extra code 630 pressure channel
 Ø 12 mm



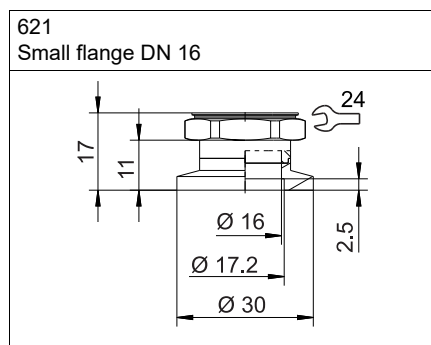
** Extra code 630 pressure channel
 Ø 8 mm



A Profile seal G 1/4
 ** Extra code 630 pressure channel
 Ø 8 mm



B With valve core handle



JUMO GmbH & Co. KG
 Delivery address: Mackenrodtstraße 14
 36039 Fulda, Germany
 Postal address: 36035 Fulda, Germany
 Phone: +49 661 6003-0
 Fax: +49 661 6003-607
 Email: mail@jumo.net
 Internet: www.jumo.net


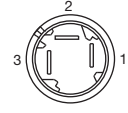
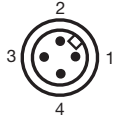
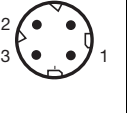
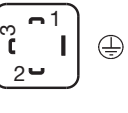


JUMO Instrument Co. Ltd.
 JUMO House
 Temple Bank, Riverway
 Harlow, Essex, CM20 2DY, UK
 Phone: +44 1279 63 55 33
 Fax: +44 1279 62 50 29
 Email: sales@jumo.co.uk
 Internet: www.jumo.co.uk

JUMO Process Control, Inc.
 6733 Myers Road
 East Syracuse, NY 13057, USA
 Phone: +1 315 437 5866
 Fax: +1 315 437 5860
 Email: info.us@jumo.net
 Internet: www.jumousa.com



Connection diagram

The connection diagram in the data sheet provides preliminary information about the connection options. For the electrical connection, only use the installation instructions or the operating manual. The knowledge and the correct technical compliance with the safety information and warnings contained in these documents are mandatory for mounting, electrical connection, and startup as well as for safety during operation.

Connection		Terminal assignment (figure: connection to the pressure transmitter)				
						
		Attached cable	QUICKON	Round plug M12 × 1	Bayonet connector	Line socket
4 to 20 mA, two-wire						
Voltage supply DC 8 to 30 V	U _B /S+	WH	1	1	1	1
	0 V/S-	BN	3	3	2	2
DC 0.5 to 4.5 V, ratiometric						
Voltage supply DC 3 to 5.25 V	U _B	WH	1	1	1	1
Ratiometric output 10 to 90 % of the voltage supply	0 V/S-	BN	2	2	2	2
	S+	GN	3	3	3	3
DC 0 to 10 V, three-wire						
Voltage supply DC 11.5 to 30 V	U _B	WH	1	1	1	1
	0 V/S-	BN	2	2	2	2
	S+	GN	3	3	3	3
DC 1 to 5 V, three-wire DC 1 to 6 V, three-wire						
Voltage supply DC 8 to 30 V	U _B	WH	1	1	1	1
	0 V/S-	BN	2	2	2	2
	S+	GN	3	3	3	3
Functional bonding conductor FB ^a		-	-	4	-	

^a The pressure transmitter has to be connected to the potential equalization system of the plant through the electrical connection or process connection.

JUMO GmbH & Co. KG
 Delivery address: Mackenrodtstraße 14
 36039 Fulda, Germany
 Postal address: 36035 Fulda, Germany
 Phone: +49 661 6003-0
 Fax: +49 661 6003-607
 Email: mail@jumo.net
 Internet: www.jumo.net

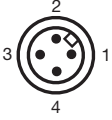
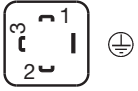
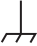

JUMO Instrument Co. Ltd.
 JUMO House
 Temple Bank, Riverway
 Harlow, Essex, CM20 2DY, UK
 Phone: +44 1279 63 55 33
 Fax: +44 1279 62 50 29
 Email: sales@jumo.co.uk
 Internet: www.jumo.co.uk

JUMO Process Control, Inc.
 6733 Myers Road
 East Syracuse, NY 13057, USA
 Phone: +1 315 437 5866
 Fax: +1 315 437 5860
 Email: info.us@jumo.net
 Internet: www.jumousa.com



Assignment variants electrical connection, extra code 933

Please provide the assignment variant in plain text with the order details (for example "B1")!

Connection		Terminal assignment (figure: connection to the pressure transmitter)			
					
		36 Round plug M12 × 1		61 Line socket	
Assignment variants		B1	B2	B3	B4
4 to 20 mA, two-wire					
Voltage supply DC 8 to 30 V	U _B /S+	1	4		2
	0 V/S-	2	1		1
DC 0 to 10 V, three-wire					
Voltage supply DC 11.5 to 30 V	U _B	1	1	1	3
	0 V/S-	3	4	2	2
	S+	4	2	4	1
DC 1 to 5 V, three-wire					
DC 1 to 6 V, three-wire					
Voltage supply DC 8 to 30 V	U _B	1	1	1	3
	0 V/S-	3	4	2	2
	S+	4	2	4	1
Functional bonding conductor FB ^a		-	-	-	

^a The pressure transmitter has to be connected to the potential equalization system of the plant through the electrical connection or process connection.

Color coding: connecting cable round plug M12 × 1	1 BN	Brown
	2 WH	White
	3 BU	Blue
	4 BK	Black
The color coding is only valid for A-coded standard cables!		

JUMO GmbH & Co. KG

Delivery address: Mackenrodtstraße 14
36039 Fulda, Germany
Postal address: 36035 Fulda, Germany
Phone: +49 661 6003-0
Fax: +49 661 6003-607
Email: mail@jumo.net
Internet: www.jumo.net

JUMO Instrument Co. Ltd.

JUMO House
Temple Bank, Riverway
Harlow, Essex, CM20 2DY, UK
Phone: +44 1279 63 55 33
Fax: +44 1279 62 50 29
Email: sales@jumo.co.uk
Internet: www.jumo.co.uk

JUMO Process Control, Inc.

6733 Myers Road
East Syracuse, NY 13057, USA
Phone: +1 315 437 5866
Fax: +1 315 437 5860
Email: info.us@jumo.net
Internet: www.jumousa.com



Order details

	(1) Basic type
401010/000	JUMO MIDAS S05 – OEM Pressure Transmitter – Universal
	(3) Input
454	0 to 1 bar relative pressure
455	0 to 1.6 bar relative pressure
456	0 to 2.5 bar relative pressure
457	0 to 4 bar relative pressure
458	0 to 6 bar relative pressure
459	0 to 10 bar relative pressure
460	0 to 16 bar relative pressure
461	0 to 25 bar relative pressure
462	0 to 40 bar relative pressure
463	0 to 60 bar relative pressure
464	0 to 100 bar relative pressure
450	-600 to +600 mbar relative pressure
478	-1 to 0 bar relative pressure
479	-1 to +0.6 bar relative pressure
449	-1 to +1 bar relative pressure
480	-1 to +1.5 bar relative pressure
481	-1 to +3 bar relative pressure
482	-1 to +5 bar relative pressure
483	-1 to +9 bar relative pressure
484	-1 to +15 bar relative pressure
485	-1 to +24 bar relative pressure
527	-1 to +30 bar relative pressure
488	0 to 1 bar absolute pressure
489	0 to 1.6 bar absolute pressure
490	0 to 2.5 bar absolute pressure
491	0 to 4 bar absolute pressure
492	0 to 6 bar absolute pressure
493	0 to 10 bar absolute pressure
494	0 to 16 bar absolute pressure
495	0 to 25 bar absolute pressure
505	0 to 40 bar absolute pressure
998	Special measuring range for absolute pressure
999	Special measuring range for relative pressure
	(3) Output
405	4 to 20 mA, two-wire
412	DC 0.5 to 4.5 V, three-wire
415	DC 0 to 10 V, three-wire
418	DC 1 to 5 V, three-wire
420	DC 1 to 6 V, three-wire

JUMO GmbH & Co. KG
 Delivery address: Mackenrodtstraße 14
 36039 Fulda, Germany
 Postal address: 36035 Fulda, Germany
 Phone: +49 661 6003-0
 Fax: +49 661 6003-607
 Email: mail@jumo.net
 Internet: www.jumo.net

JUMO Instrument Co. Ltd.
 JUMO House
 Temple Bank, Riverway
 Harlow, Essex, CM20 2DY, UK
 Phone: +44 1279 63 55 33
 Fax: +44 1279 62 50 29
 Email: sales@jumo.co.uk
 Internet: www.jumo.co.uk

JUMO Process Control, Inc.
 6733 Myers Road
 East Syracuse, NY 13057, USA
 Phone: +1 315 437 5866
 Fax: +1 315 437 5860
 Email: info.us@jumo.net
 Internet: www.jumousa.com



(4) Process connection	
501	G 1/8 according to DIN EN 837
502	G 1/4 according to DIN EN 837
504	G 1/2 according to DIN EN 837
511	1/4-18 NPT according to DIN EN 837
521	G 1/4 according to DIN 3852-11
562	7/16-20 UNF
563	7/16-20 UNF interior, with valve core handle
621	Small flange DN 16
(5) Process connection material	
20	CrNi (stainless steel)
(6) Electrical connection	
11	Attached cable ^a
23	QUICKON
36	Round plug M12 × 1
53	Bayonet DIN 72585
61	Line socket DIN EN 175301-803, Form A
(8) Extra codes	
000	None
061	UL approval
591	Choke in the pressure channel
624	Oil and grease free
630	Enlarged pressure channel ^b
876	Test report
933	Assignment variants electrical connection
954	Technical Passport

^a The standard cable length is 2 m. Further lengths are available upon request.

^b An enlarged pressure channel is only available with process connections 1/4-18 NPT, and G 1/4.

Order code **(1)** **(2)** **(3)** **(4)** **(5)** **(6)** **(7)**
 Order example 401010/000 - 460 - 412 - 504 - 20 - 36 / 591, ...^a

^a List extra codes in sequence, separated by commas.

Stock versions

Order code	Part no.
401011/000-451-405-502-20-61/000	00543760
401011/000-451-405-504-20-61/000	00547882
401011/000-414-405-502-20-61/000	00535655
401011/000-414-405-504-20-61/000	00558996

Accessories

Designation	Part no.
Line socket, straight, 4-pole, M12 × 1, 2 m	00404585
Line socket, angled, 4-pole, M12 × 1, 2 m	00409334
Bayonet connector with 3 m cable	00463392