



JUMO tecLine CR-4P Conductive 4-Electrode Conductivity Sensor

Brief description

The JUMO tecLine CR-4P fills the gap between conductive conductivity measurement with two-electrode conductivity sensors, and inductive conductivity measurement.

Four-pin technology makes it possible to cover a very wide measuring range from about 1 µS/cm to 600 mS/cm, with just one conductivity sensor.

The hygienic design of both the sensor and the system for process connection (JUMO PEKA) makes it easy to use in pharmaceutical and food technology. JUMO PEKA is an adapter system that combines the conductivity sensor with the process connection. All the materials are physiologically safe, and meet FDA standards.

Stainless steel electrodes are inserted into a circular, plastic body. The process seal provided as standard is an EPDM O-ring. A fast-response temperature probe delivers information about the process temperature to the measurement amplifier. Electrical connection is made via an M12 connector.

The conductivity sensor is available in three fitting lengths, for optimum installation in different pipe diameters. The conductivity sensor can also be installed in container walls. No incident flow is required to make it work, but is recommended for fast, stable measurement values and to prevent the accumulation of deposits.

A certificate of quality is included among the items supplied (exact cell constant, FDA approval for the material, typical surface roughness, etc.).

Operative range:

Their vast measuring range allows the sensors to be used in washing processes in food and drink applications, pharmaceuticals and biotechnology, where the different conductivities have to be safely recorded by a measuring system (e.g. CIP/SIP applications, reverse processes in ion exchangers, phase separation, bottle cleaning plants, process water).

Note:

Used in combination with the JUMO AQUIS 500 CR transmitter/controller, as per data sheet 202565 and JUMO PEKA process connection adapters as per data sheet 409711.

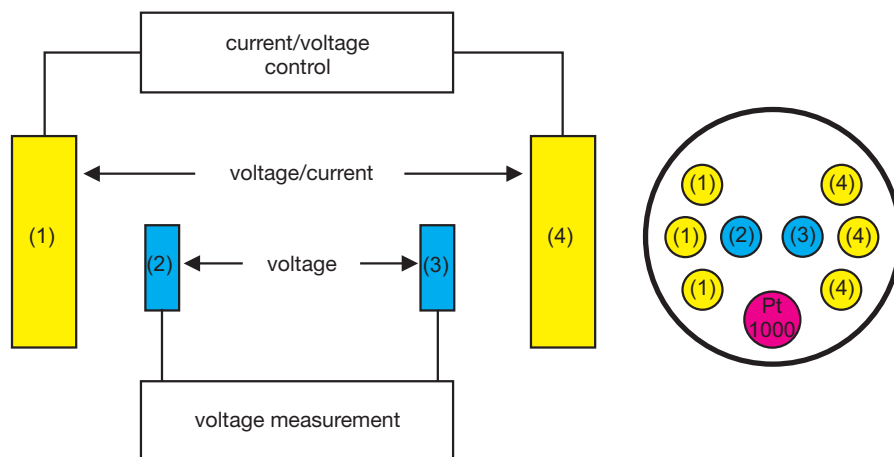


Typ 202930
 with JUMO PEKA adapters

Key features

- Vast measuring range
- Hygienic process connections (clamp, Varivent®, aseptic NKS)
- CIP/SIP capability
- Design complies with EHEDG and FDA standards
- Certificate of quality included

Block diagram



Function

The conductivity sensors have two pairs of electrodes. The transmitter applies alternating current at the outer pair of electrodes. A voltage is released at the inner electrodes, subject to the conductivity of the measuring material. The transmitter acquires the voltage and uses it, in conjunction with the given current, to calculate the electrolytic conductivity value. Functionally, excitation and measurement are kept separate. This has some advantages compared to 2-electrode conductivity sensors, as the effects of polarization recede into the background. To a large extent, incoming resistances are automatically compensated. Measurement errors as a result of contamination or deposits, are reduced.

JUMO GmbH & Co. KG
 Delivery address: Mackenrodtstraße 14
 36039 Fulda, Germany
 Postal address: 36035 Fulda, Germany
 Phone: +49 661 6003-0
 Fax: +49 661 6003-607
 Email: mail@jumo.net
 Internet: www.jumo.net

JUMO Instrument Co. Ltd.
 JUMO House
 Temple Bank, Riverway
 Harlow, Essex CM 20 2DY, UK
 Phone: +44 1279 63 55 33
 Fax: +44 1279 62 50 29
 Email: sales@jumo.co.uk
 Internet: www.jumo.co.uk

JUMO Process Control, Inc.
 6733 Myers Road
 East Syracuse, NY 13057, USA
 Phone: +1 315 437 5866
 Fax: +1 315 437 5860
 Email: info.us@jumo.net
 Internet: www.jumousa.com



Technical data

Typical measuring range ^a	1 µS/cm to approx. 600 mS/cm
Accuracy	≤ 5 % of measured value
Cell constant ^b	typically, K = 0.3 - 0.4 cm ⁻¹
Operating temperature	-10 to +120 °C, briefly 140 °C (sterilization)
Maximum pressure	16 bar at 25 °C 6 bar at -10 °C and +140 °C
Temperature measurement	With Pt1000, DIN EN 60751 Class A
Electrical connection ^c	M12 connector
Enclosure protection	IP65
Fitting length	18 mm 38 mm 48 mm (see "Dimensions")
Materials in contact with the measuring medium	FDA compliant <ul style="list-style-type: none"> • Cell housing: PEEK • Electrodes: Stainless steel 1.4435 (316L) • Probe pocket: Stainless steel 1.4435 (316L) • Seal: EPDM (other material on request)
Process connection	JUMO PEKA ^d (hygienic process connection) Available process connection adapters: <ul style="list-style-type: none"> • Varivent DN 40-125, stainless steel 1.4435 (316L) • Clamp DN 25/32/40 and DN50, stainless steel 1.4435 (316L) • Aseptic DN 40 and DN50, stainless steel 1.4435 (316L) • Aseptic NKS DN 40, stainless steel 1.4435 (316L)
Sensor installation	Only possible in conjunction with JUMO PEKA adapters! ^e
Surface quality (roughness)	Stainless steel components ≤ 0.6 µm Plastic components ≤ 0.8 µm

^a Measuring ranges are also dependent on the transmitter being used.

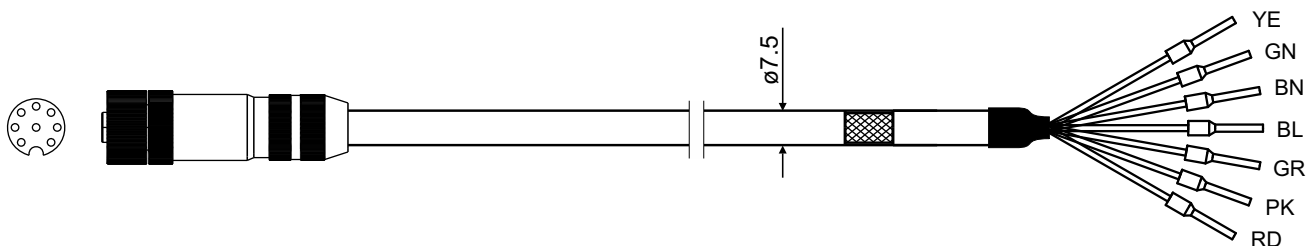
^b See the namplate for a measured cell constant. A cell constant deviation can be adjusted at the transmitter.

^c The CR-4P cable is required for connection (see Accessories)!

^d See data sheet 409711 and "Dimensions" on the following pages.

Connecting cable (accessory)

JUMO CR-4P cable, type 202990/20-53-00-xx/000



M12 cable socket:	Metal, 8-pin
Cable diameter:	7.5 mm
Cable material:	PUR, blue
Ambient temperature:	-30 to +80 °C
Cable length:	5 m oder 10 m ^a

^a For metrological reasons, the maximum cable length is limited to 10 m!

Order details

JUMO GmbH & Co. KG
 Delivery address: Mackenrodtstraße 14
 36039 Fulda, Germany
 Postal address: 36035 Fulda, Germany
 Phone: +49 661 6003-0
 Fax: +49 661 6003-607
 Email: mail@jumo.net
 Internet: www.jumo.net

JUMO Instrument Co. Ltd.
 JUMO House
 Temple Bank, Riverway
 Harlow, Essex CM 20 2DY, UK
 Phone: +44 1279 63 55 33
 Fax: +44 1279 62 50 29
 Email: sales@jumo.co.uk
 Internet: www.jumo.co.uk

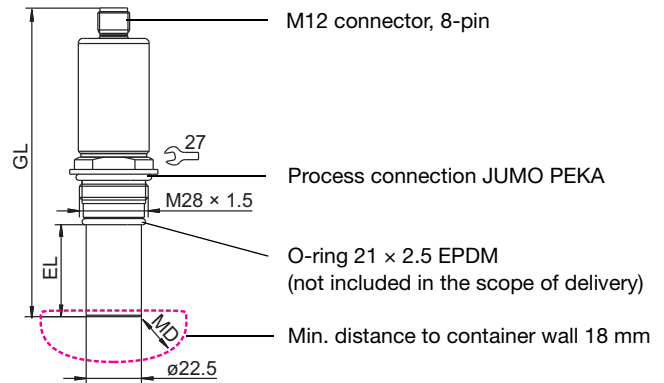
JUMO Process Control, Inc.
 6733 Myers Road
 East Syracuse, NY 13057, USA
 Phone: +1 315 437 5866
 Fax: +1 315 437 5860
 Email: info.us@jumo.net
 Internet: www.jumousa.com



Dimensions

Choose the immersion length (EL) according to the installation situation.

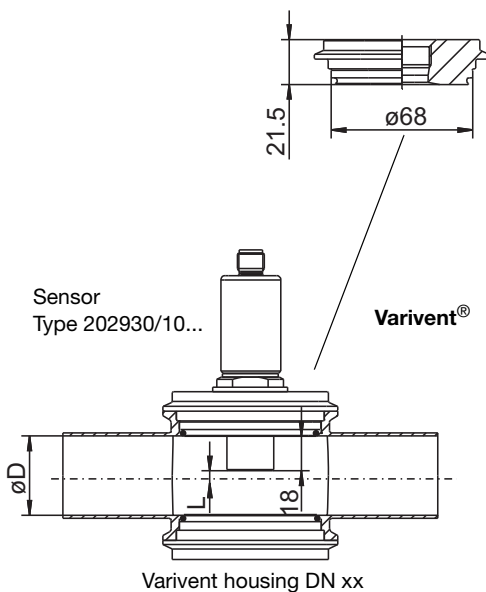
Immersion length EL	Total length GL	Type
18	126	202930/10
38	146	202930/20
48	156	202930/30



Mounting suggestions

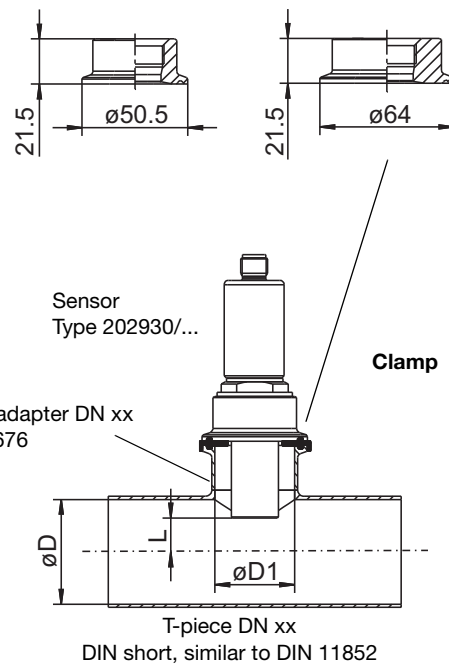
The customer must provide the T-pieces!

Process connection adapter JUMO PEKA
 Varivent DN 40-125
 Part no.: 00577961; Ra < 0.8 µm



Process connection adapter JUMO PEKA
 Clamp DN 25/32/40
 Part no.: 00577998; Ra < 0.8 µm

Clamp DN 50
 Part no.: 00577997; Ra < 0.8 µm



Varivent housing DN	Ø D	L	Sensor Type
40	38	3	202930/10
50	50	9	
65	66	18	
80	81	24,5	
100	100	34	

Clamp adapter DN	T-piece DN	Ø D	Ø D1	L	Sensor Type
25	32-25	32 ^a	26	5	202930/20
	40-25	38 ^a		0	202930/30
	50-25	50		7	
	65-25	66		15	
	80-25	81		20	
100-25	100	30			
50	65-50	66	50	15	
	80-50	81		20	
	100-50	100		30	

^a It is recommended to control the cell constant with the calibration procedure of the transmitter.

JUMO GmbH & Co. KG
 Delivery address: Mackenrodtstraße 14
 36039 Fulda, Germany
 Postal address: 36035 Fulda, Germany
 Phone: +49 661 6003-0
 Fax: +49 661 6003-607
 Email: mail@jumo.net
 Internet: www.jumo.net

JUMO Instrument Co. Ltd.
 JUMO House
 Temple Bank, Riverway
 Harlow, Essex CM 20 2DY, UK
 Phone: +44 1279 63 55 33
 Fax: +44 1279 62 50 29
 Email: sales@jumo.co.uk
 Internet: www.jumo.co.uk

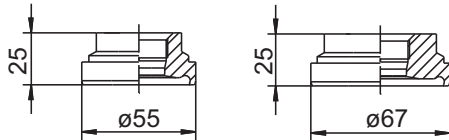
JUMO Process Control, Inc.
 6733 Myers Road
 East Syracuse, NY 13057, USA
 Phone: +1 315 437 5866
 Fax: +1 315 437 5860
 Email: info.us@jumo.net
 Internet: www.jumousa.com



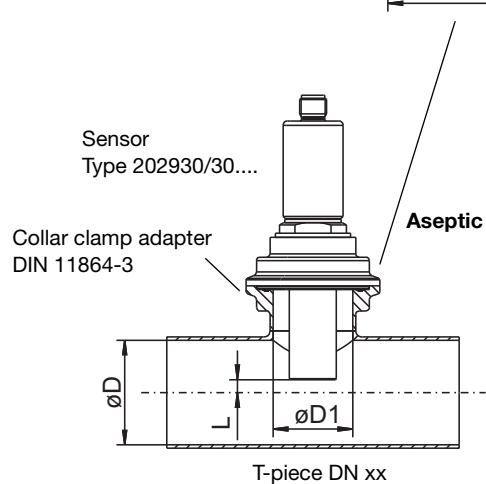
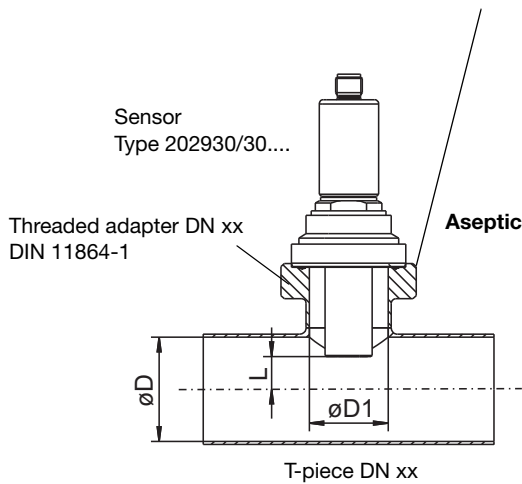
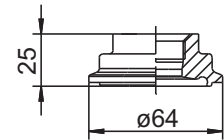
Mounting suggestions

The customer must provide the T-pieces!

Process connection adapter JUMO PEKA
 Aseptic DN 40 Part no.: 00577995; R < 0.8 µm
 Aseptic DN 50 Part no.: 00577979; Ra < 0.8 µm



Process connection adapter JUMO PEKA
 Aseptic NKS DN 40 Part no.: 00577999; Ra < 0.8 µm



Threaded adapter DN	T-piece DN	Ø D	Ø D1	L	Sensor Type
40	50-40	50	38	10	202930/30
	65-40	66		18	
	80-40	81		27	
	100-40	100		37	
50	65-50	66	50	18	202930/30
	80-50	81		27	
	100-50	100		37	

Collar clamp adapter DN	T-piece DN	Ø D	Ø D1	L	Sensor Type
NKS DN 40 Form A	50-40	50	38	3	202930/30
	65-40	66		13	
	80-40	81		25	
	100-40	100		35	

Electrical connection

Connection for		M12 sensor connection		CR-4P cable
		Pin	Assignment	Color
Temperature compensation		1 2 5		GN YE BN
Voltage tap inner electrode 2		3		PK
Current entry outer electrode 2		4		BL
Current entry outer electrode 1		6		RD
Voltage tap inner electrode 1		7		GR
NC				

Warning: The shielding of the cable has to be connected to the transmitter only – not to the sensor!

JUMO GmbH & Co. KG
 Delivery address: Mackenrodtstraße 14
 36039 Fulda, Germany
 Postal address: 36035 Fulda, Germany
 Phone: +49 661 6003-0
 Fax: +49 661 6003-607
 Email: mail@jumo.net
 Internet: www.jumo.net

JUMO Instrument Co. Ltd.
 JUMO House
 Temple Bank, Riverway
 Harlow, Essex CM 20 2DY, UK
 Phone: +44 1279 63 55 33
 Fax: +44 1279 62 50 29
 Email: sales@jumo.co.uk
 Internet: www.jumo.co.uk

JUMO Process Control, Inc.
 6733 Myers Road
 East Syracuse, NY 13057, USA
 Phone: +1 315 437 5866
 Fax: +1 315 437 5860
 Email: info.us@jumo.net
 Internet: www.jumousa.com



(1) Basic type	
202930	JUMO tecLine CR-4P - Conductive 4-Electrode Conductivity Sensor
(2) Basic type extension	
10	Short design
20	Medium design
30	Long design
(3) Temperature compensation	
1005	Pt1000
(4) Electrode material	
31	Stainless steel 1.4435 (316L)
(5) Process connection^a	
997	JUMO PEKA
(6) Electrical connection^b	
83	M12 connector
(7) Extra code	
000	none

^a Process connection adapters (see "Accessories") must be ordered separately!

^b The CR-4P cable is required for electrical connection (see "Accessories")!

Oder code (1) (2) (3) (4) (5) (6) (7)
 / - - - - - -
Sampe order 202930 / 10 - 1005 - 31 - 997 - 83 - 000

Other versions on request!

JUMO GmbH & Co. KG
 Delivery address: Mackenrodtstraße 14
 36039 Fulda, Germany
 Postal address: 36035 Fulda, Germany
 Phone: +49 661 6003-0
 Fax: +49 661 6003-607
 Email: mail@jumo.net
 Internet: www.jumo.net

JUMO Instrument Co. Ltd.
 JUMO House
 Temple Bank, Riverway
 Harlow, Essex CM 20 2DY, UK
 Phone: +44 1279 63 55 33
 Fax: +44 1279 62 50 29
 Email: sales@jumo.co.uk
 Internet: www.jumo.co.uk

JUMO Process Control, Inc.
 6733 Myers Road
 East Syracuse, NY 13057, USA
 Phone: +1 315 437 5866
 Fax: +1 315 437 5860
 Email: info.us@jumo.net
 Internet: www.jumousa.com



Stock versions

Type	Brief description	Part no.
202930/10-1005-31-997-83/000	4-Electrode Conductivity Sensor; short design	00531113
202930/20-1005-31-997-83/000	4-Electrode Conductivity Sensor; medium design	00531048
202930/30-1005-31-997-83/000	4-Electrode Conductivity Sensor; long design	00531114

Accessories

Designation	Part no.
Connecting cable for CR-4P, prefabricated, with M12 connector, length 5 m	00528699
Connecting cable for CR-4P, prefabricated, with M12 connector, length 10 m	00528700
Connecting cable for CR-4P, prefabricated, with M12 connector, version for use with JUMO AQUIS touch (extended connection cables for Pt1000), length 5 m	00502027
Connecting cable for CR-4P, prefabricated, with M12 connector, version for use with JUMO AQUIS touch (extended connection cables for Pt1000), length 10 m	00502029

Process connection adapter JUMO PEKA for	Material	Part no.
Varivent DN 40-125	Stainless steel 1.4435/316L; Ra < 0.8 µm with certificate EN 10204-3.1	00577961
Clamp DN25/32/40	Stainless steel 1.4435/316L; Ra < 0.8 µm with certificate EN 10204-3.1	00577998
Clamp DN 50	Stainless steel 1.4435/316L; Ra < 0.8 µm with certificate EN 10204-3.1	00577997
Aseptic DN 40	Stainless steel 1.4435/316L; Ra < 0.8 µm with certificate EN 10204-3.1	00577995
Aseptic DN 50	Stainless steel 1.4435/316L; Ra < 0.8 µm with certificate EN 10204-3.1	00577979
Aseptic NKS DN 40	Stainless steel 1.4435/316L; Ra < 0.8 µm with certificate EN 10204-3.1	00577999

O-Ring 21 × 2.5	EPDM	00446162
-----------------	------	----------