

JUMO GmbH & Co. KG
 Delivery address: Mackenrodtstraße 14
 36039 Fulda, Germany
 Postal address: 36035 Fulda, Germany
 Phone: +49 661 6003-0
 Fax: +49 661 6003-607
 Email: mail@jumo.net
 Internet: www.jumo.net

JUMO Instrument Co. Ltd.
 JUMO House
 Temple Bank, Riverway
 Harlow, Essex, CM20 2DY, UK
 Phone: +44 1279 63 55 33
 Fax: +44 1279 62 50 29
 Email: sales@jumo.co.uk
 Internet: www.jumo.co.uk

JUMO Process Control, Inc.
 6733 Myers Road
 East Syracuse, NY 13057, USA
 Phone: +1 315 437 5866
 Fax: +1 315 437 5860
 Email: info.us@jumo.net
 Internet: www.jumousa.com



JUMO glass pH electrodes

Brief description

Glass pH electrodes are used in conjunction with reference electrodes to record the pH value. The sensor part of the glass pH electrode is made from a special, pH-sensitive membrane glass.

Electrodes with special types of membrane glass are available for measuring in the different media:

- UW glass for general, aqueous media
- C glass for media containing fluorides (up to 1000 mg HF/l)
- HT glass for use at temperature ranges >80 °C and in highly alkaline media



Type 201081/...

Technical data

pH range	
UW glass	0 to 12 pH (briefly pH 14)
C glass	0 to 11 pH
HT glass	0 to 14 pH
Temperature range	
UW glass	0 to 80 °C
C glass	0 to 50 °C
HT glass	0 to 135 °C
Pressure range	
with plug cap	Unpressurized operation
with Pg13.5 screw cap	6 bar at 25 °C, 1 bar at 80 °C
Terminal head	PPO
Process connection	Plug cap no thread or Pg13.5 screw cap
Washer	PSU
Seal	FPM70
Shaft material	Glass (DIN 19263)
Insertion length	120 mm (standard) Other insertion length on request

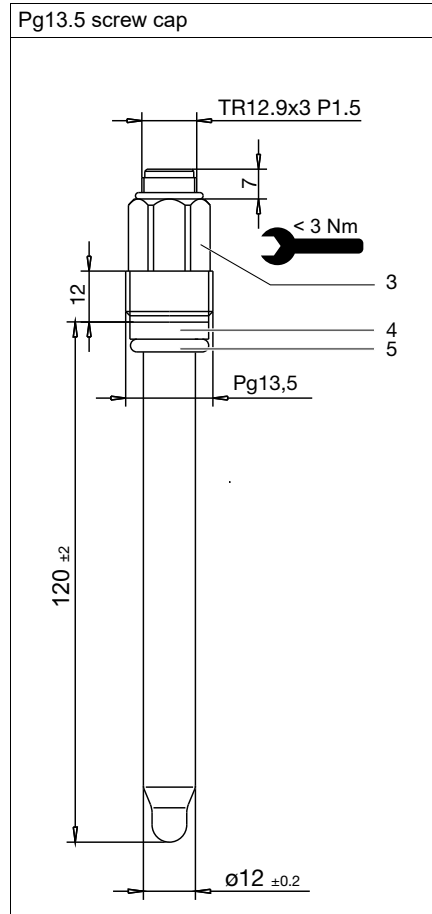
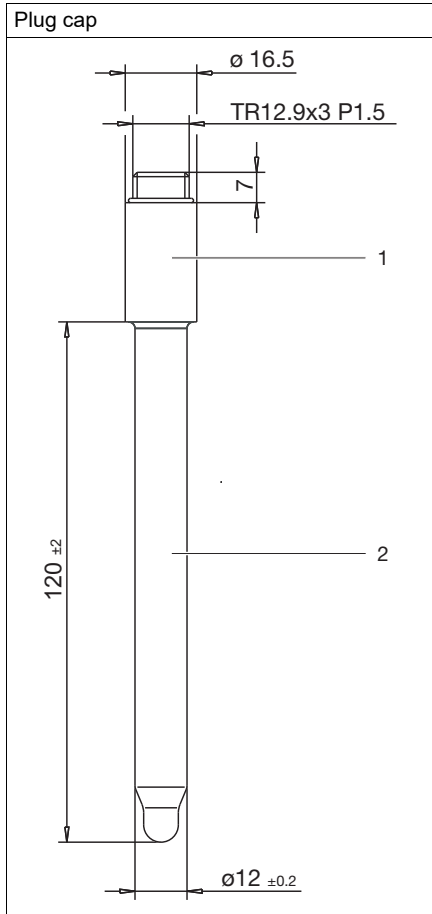
JUMO GmbH & Co. KG
 Delivery address: Mackenrodtstraße 14
 36039 Fulda, Germany
 Postal address: 36035 Fulda, Germany
 Phone: +49 661 6003-0
 Fax: +49 661 6003-607
 Email: mail@jumo.net
 Internet: www.jumo.net

JUMO Instrument Co. Ltd.
 JUMO House
 Temple Bank, Riverway
 Harlow, Essex, CM20 2DY, UK
 Phone: +44 1279 63 55 33
 Fax: +44 1279 62 50 29
 Email: sales@jumo.co.uk
 Internet: www.jumo.co.uk

JUMO Process Control, Inc.
 6733 Myers Road
 East Syracuse, NY 13057, USA
 Phone: +1 315 437 5866
 Fax: +1 315 437 5860
 Email: info.us@jumo.net
 Internet: www.jumousa.com



Dimensions



- | | | | |
|---|--------------------|---|----------------------------------|
| 1 | Plug cap no thread | 2 | Shaft material (glass DIN 19263) |
| 3 | Pg13.5 screw cap | 4 | Washer (PSU) |
| 5 | Seal (FMP70) | | |

JUMO GmbH & Co. KG
 Delivery address: Mackenrodtstraße 14
 36039 Fulda, Germany
 Postal address: 36035 Fulda, Germany
 Phone: +49 661 6003-0
 Fax: +49 661 6003-607
 Email: mail@jumo.net
 Internet: www.jumo.net

JUMO Instrument Co. Ltd.
 JUMO House
 Temple Bank, Riverway
 Harlow, Essex, CM20 2DY, UK
 Phone: +44 1279 63 55 33
 Fax: +44 1279 62 50 29
 Email: sales@jumo.co.uk
 Internet: www.jumo.co.uk

JUMO Process Control, Inc.
 6733 Myers Road
 East Syracuse, NY 13057, USA
 Phone: +1 315 437 5866
 Fax: +1 315 437 5860
 Email: info.us@jumo.net
 Internet: www.jumousa.com



Order details

(1)	Basic type
201081	JUMO glass pH electrodes
(2)	Shaft material
89	Glass
(3)	Active component
11	C glass
12	HT glass
18	UW glass
(4)	Connection
21	Plug cap
22	Pg13.5 screw cap
(5)	Insertion length
120	120 mm (standard)
225	225 mm

Order code	(1)	/	(2)	-	(3)	-	(4)	-	(5)
Order example	201081	/	89	-	18	-	22	-	120

Note:

The order code is a type explanation – not a modular system for own sensor combinations.
 If you wish your own combinations please ask the JUMO analytical measurement experts for prior approval.

Stock version

Item	Part no.
201081/89-18-22-0000-00-120	pH electrode, UW glass, Pg13.5 screw cap (S8), 120 mm
	00083302

Manufacturing versions

Item	Part no.
201081/89-18-21-0000-00-120 (2G-1-UW)	Glass pH electrode, UW glass, plug cap (S7), 120 mm
	00083260
201081/89-12-21-0000-00-120 (2G-1-HT)	Glass pH electrode, HT glass, plug cap (S7), 120 mm
	00083301
201081/89-11-22-0000-00-120 (2G-2-C)	Glass pH electrode, C glass, Pg13.5 screw cap (S8), 120 mm
	00083303
201081/89-12-22-0000-00-120 (2G-2-HT)	Glass pH electrode, HT glass, Pg13.5 screw cap (S8), 120 mm
	00083304
201081/89-18-22-0000-00-225 (2G-2-UW)	Glass pH electrode, UW glass, Pg13.5 screw cap (S8), 225 mm
	00407004