

Mounting set for JUMO AQUIS touch S

Panel mounting kit

Pipe mounting kit

Protective roof kit

Type 202581

Installation Instructions



20258100T94Z013K000

V2.00/EN//00609135



HINWEIS!

Read the operating manual or the Installation instructions before putting the device into service.

⇒ B 202581.0 or B 202581.4

| | | |
|----------|-----------------------------|----------|
| 1 | Mounting | 5 |
| 1.1 | Important information | 5 |
| 1.2 | Dimensions | 6 |
| 1.3 | Surface mounting | 7 |
| 1.4 | Pipe mounting | 10 |
| 1.5 | Panel installation | 12 |

Content

1.1 Important information



DANGER!

Under no circumstances may the device be installed or removed while under voltage! This poses the risk of electrocution.

Switch-off the entire system beforehand. This work must be performed only by qualified personnel!

The device must never be installed in potentially-explosive areas! There is the risk of an explosion.

Mounting site

When determining the mounting site, it is important to ensure that the device specifications are respected. The relevant tables with device specification data can be found in the chapter entitled "Technical data" in the operating manual, installation instructions or in the type sheet for the JUMO AQUIS touch S. The device must not be exposed to severe oscillations or continuous vibrations. Electromagnetic fields caused by equipment such as motors or transformers must be avoided!

Direct heat radiation, in particular sunlight causes, due to protection rating IP67, the inside of the case to heat up and can damage the device. The customer must ensure that the device is not exposed to direct sunlight.

Climatic conditions

The ambient temperature and the relative humidity at the mounting site must correspond to the technical data.

⇒ B 202581.0, B 202581.4 or T 202581

Installation position

The device can be installed in any position. However, the viewing angle of the TFT touchscreen should be taken into consideration.

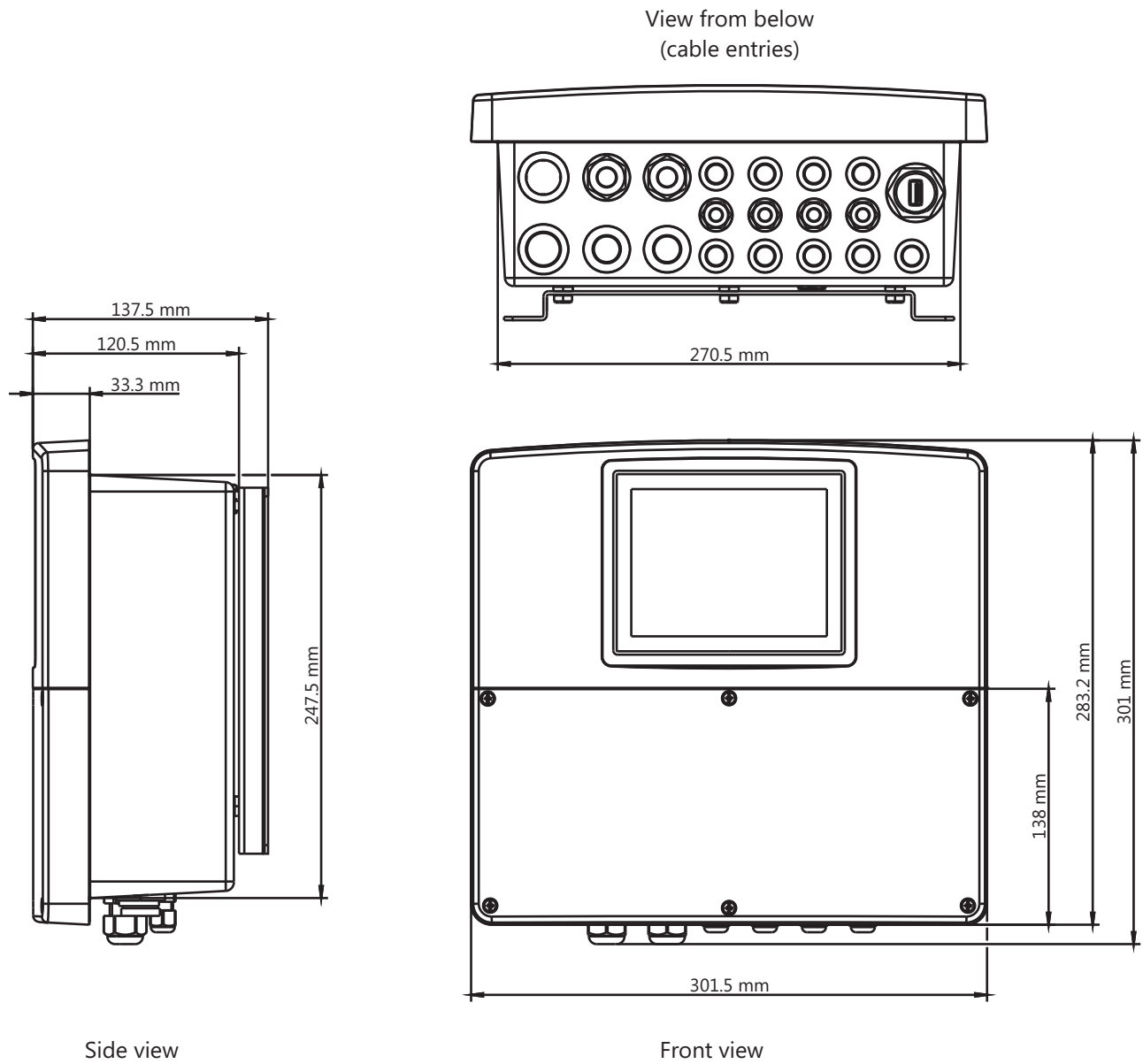
⇒ B 202581.0, B 202581.4 or T 202581

Space requirement

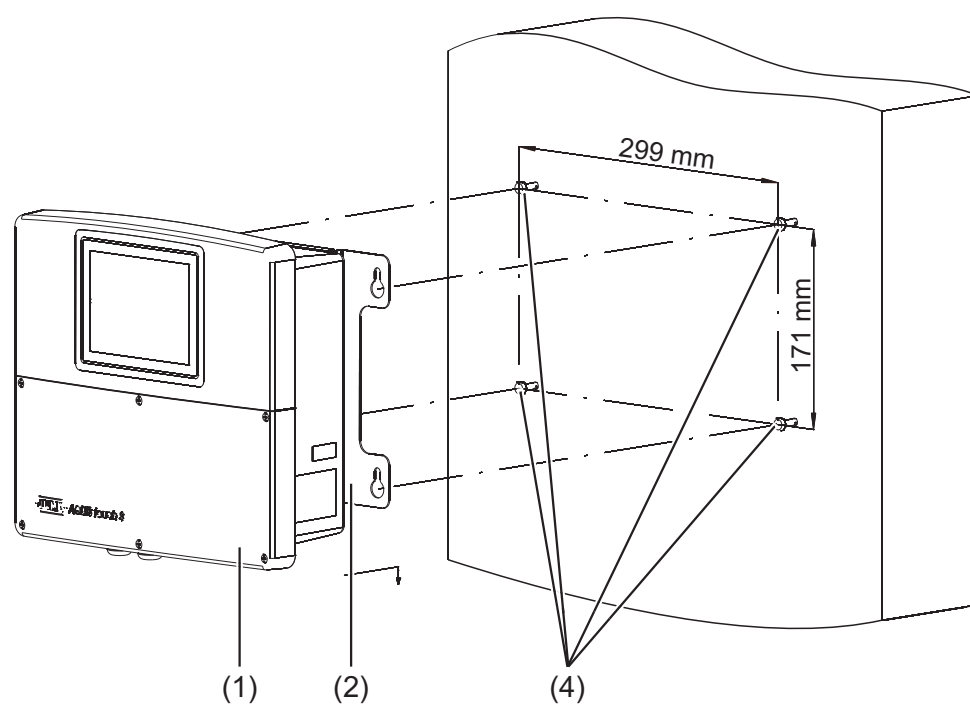
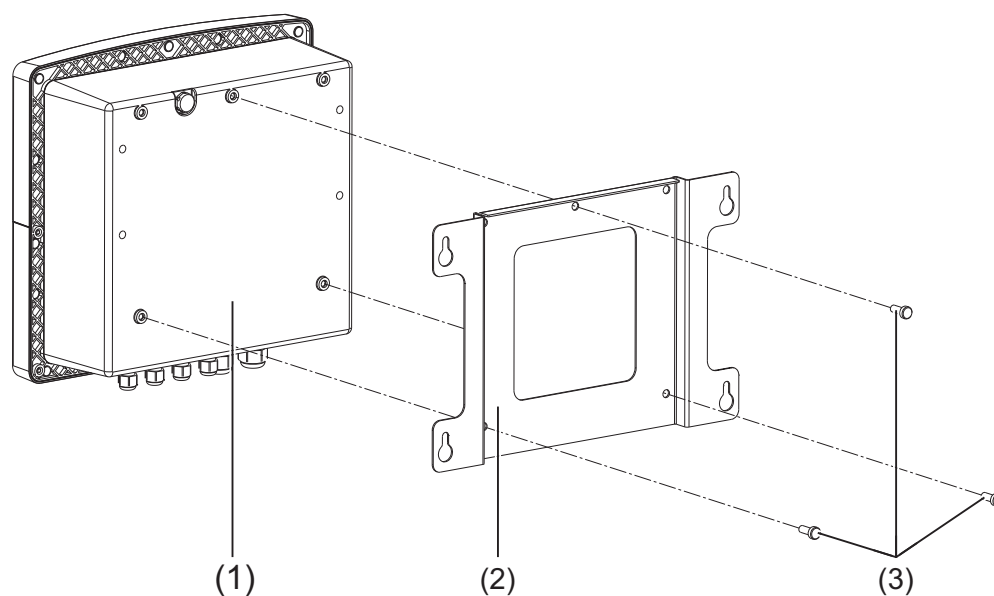
Ensure adequate access to the region around the cable entry points. The minimum bending radius of the cables must be taken into account!

1 Mounting

1.2 Dimensions



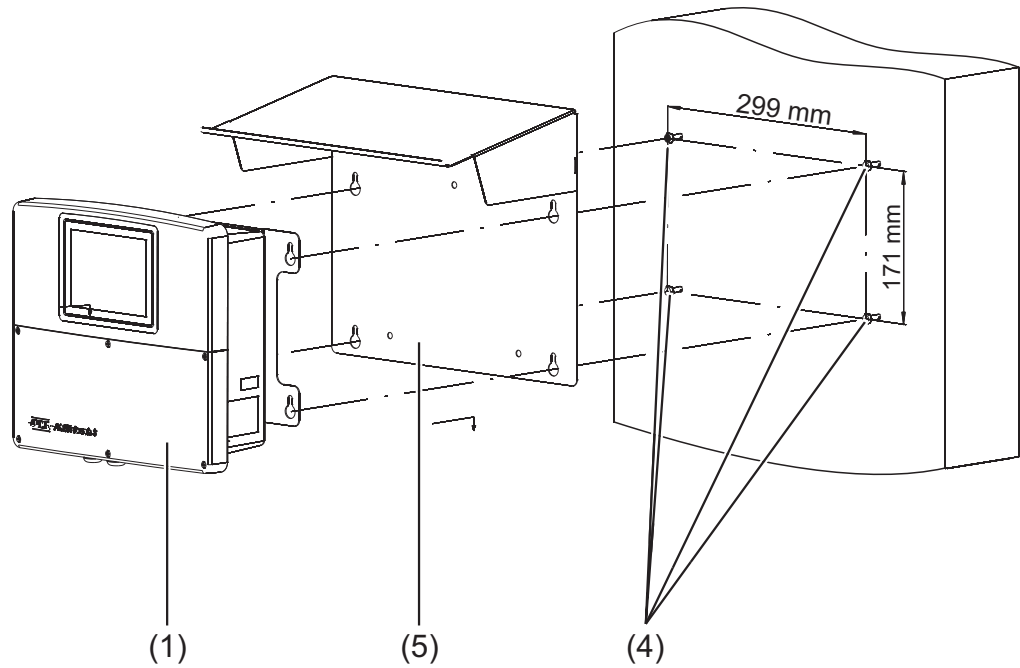
1.3 Surface mounting



- (1) JUMO AQUIS touch S
- (2) Mounting plate for surface mounting
- (3) Self-tapping screws 60 × 16 TORX PLUS^a 30IP (supplied as standard with the JUMO AQUIS touch S)
- (4) Fastening screws (hex-headed screws Ø 6 mm)

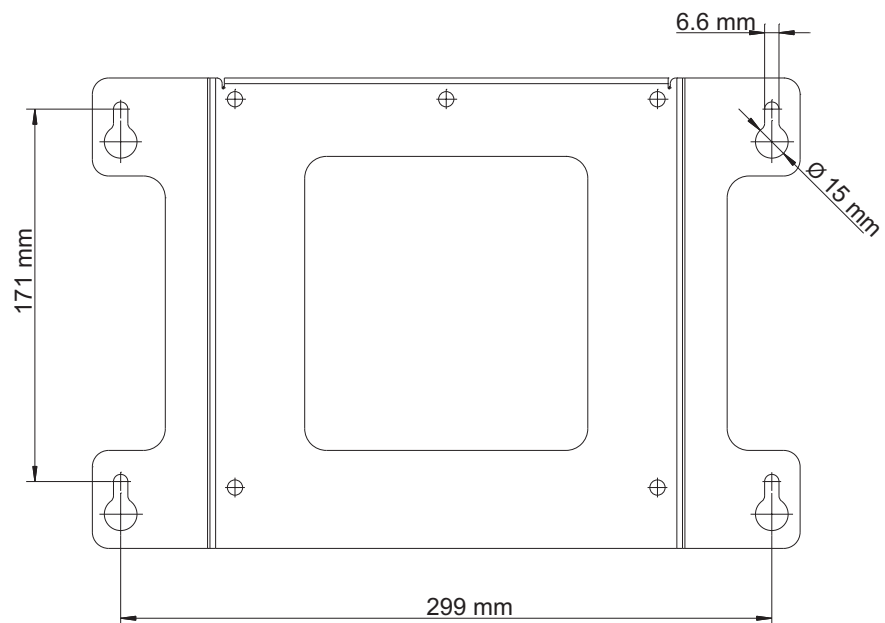
^a TORX PLUS[®] is a registered trademark of Acument Intellectual Properties, LLC. USA.

1 Mounting



- (1) JUMO AQUIS touch S
- (4) Fastening screws (hex-headed screws $\text{\O} 6 \text{ mm}$)
- (5) Weather protection canopy, stainless steel 1.4301 (part no. 00602404)

Drilling diagram



1 Mounting

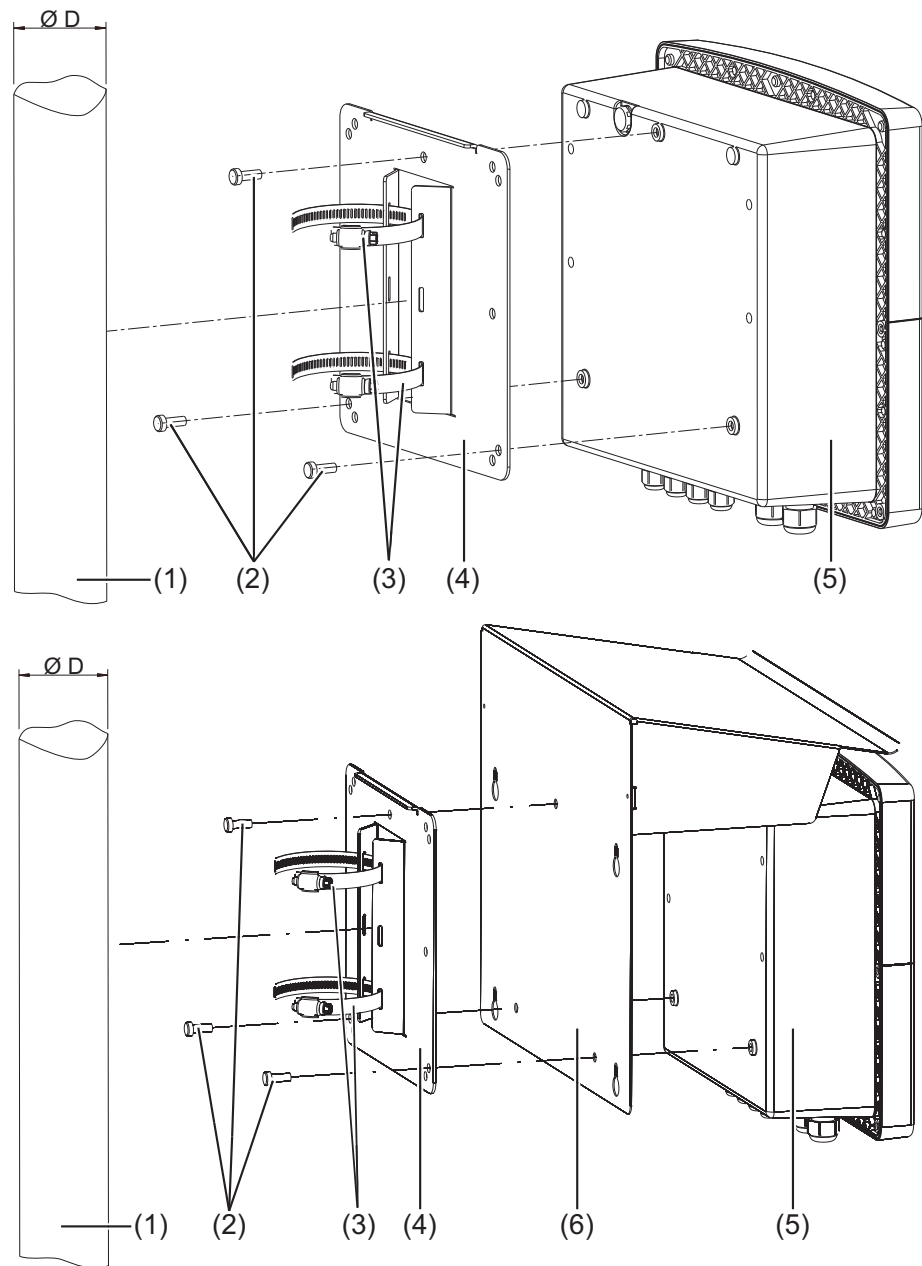
Procedure

| Step | Action |
|------|--|
| 1 | Use the drilling diagram to mark the mounting holes on the mounting surface. You can also use the mounting plate as a template for this purpose. Leave enough space around the cable entries to permit routing of cables. |
| 2 | Use suitable fastening screws (4) in order to ensure that the screw heads are at a distance of about 1 cm from the mounting surface. |
| 3 | Using the screws (3), fasten the mounting plate (2) to the the back of the unit (1). |
| 4 | Hook the device (1) and where applicable the weather protection canopy (5) with the mounting plate into the screws. |
| 5 | Tighten the fastening screws. |

1 Mounting

1.4 Pipe mounting

The optional pipe mounting kit (part no. 00602401) is needed for pipe mounting. A weather protection canopy (part no. 00602404) is also available.



- (1) Pipe/mast (customer provision) with a diameter of 35 to 55 mm
- (2) Self-tapping screws 60 × 16 TORX PLUS^a 30IP (supplied as standard with the JUMO AQUIS touch S)
- (3) Pipe clips from the pipe mounting kit (part no. 00602401)
- (4) Mounting plate for pipe mounting from the pipe mounting kit (part no. 00602401)
- (5) JUMO AQUIS touch S
- (6) Weather protection canopy, stainless steel 1.4301 (part no. 00602404)

^a TORX PLUS[®] is a registered trademark of Acument Intellectual Properties, LLC. USA.

1 Mounting

Procedure

| Step | Action |
|------|---|
| 1 | Using the screws (2), fasten the mounting plate (4) and possibly the weather protection canopy (6) to the right side of the unit (5). |
| 2 | Insert the two pipe clips (3) through the slots in the mounting straps on the mounting plate (4) as shown in the drawing. |
| 3 | Place the device on the pipe/mast (1) such that the pipe clips (3) enclose the pipe; close the pipe clips (3) and tighten them. |

1 Mounting

1.5 Panel installation

The optional panel mounting kit (part no. 00602403) is needed for installation in a control panel.

Using this kit, the device can be installed in control panels or machine/equipment panels, for instance, and fastened from behind. When installed in this way, the lines connecting to the device are protected behind the panels.



NOTE!

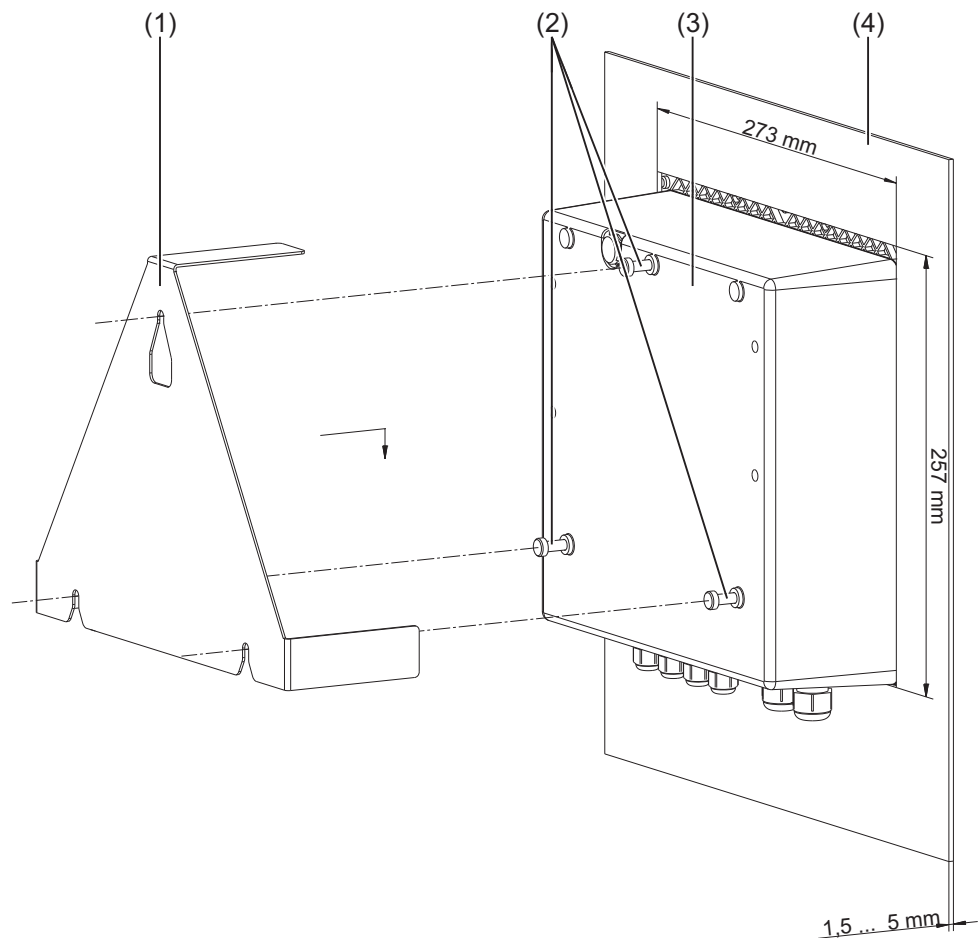
Installation in a control panel provides protection class IP20. When the JUMO AQUIS touch S is installed in the wall of control cabinets, the protection class of the control cabinet no longer applies; instead, the protection class for installation in a control panel applies (IP20).



CAUTION!

Ensure that the control panel provides adequate support for the device. The weight values listed in the technical data must be taken into account to ensure adequate mechanical stability for control panel installation.
⇒ Chapter 20.14 "Case", Page 121

1 Mounting



- (1) Fastening bracket, stainless steel 1.4301 from the panel mounting kit (part no. 00602403)
- (2) Self-tapping screws 60 × 16 TORX PLUS®^a 30IP (supplied as standard with the JUMO AQUIS touch S)
- (3) JUMO AQUIS touch S
- (4) Control panel with cutout 273 mm × 257 mm
Material thickness of panel: 1.5 to 5 mm

^a TORX PLUS® is a registered trademark of Acument Intellectual Properties, LLC. USA.

Procedure

| Step | Action |
|------|--|
| 1 | Insert the screws (2) about 2 to 3 threads into the holes provided for this purpose in the back of the device (3). |
| 2 | Place the device in the cutout provided for this purpose in the control panel (4) as shown in the drawing. |
| 3 | Hook the fastening bracket (1) into the screws (2) inserted into the back of the device (3). |
| 4 | Securely tighten the screws (2) in the back of the device. |

1 Mounting



JUMO GmbH & Co. KG

Street address:
Moritz-Juchheim-Straße 1
36039 Fulda, Germany
Delivery address:
Mackenrodtstraße 14
36039 Fulda, Germany
Postal address:
36035 Fulda, Germany
Phone: +49 661 6003-0
Fax: +49 661 6003-607
Email: mail@jumo.net
Internet: www.jumo.net

JUMO Instrument Co. Ltd.

JUMO House
Temple Bank, Riverway
Harlow, Essex CM 20 2DY, UK
Phone: +44 1279 63 55 33
Fax: +44 1279 62 50 29
Email: sales@jumo.co.uk
Internet: www.jumo.co.uk

JUMO Process Control, Inc.

6733 Myers Road
East Syracuse, NY 13057, USA
Phone: +1 315 437 5866
Fax: +1 315 437 5860
Email: info.us@jumo.net
Internet: www.jumousa.com