

JUMO GmbH & Co. KG

Delivery address: Mackenrodtstraße 14
36039 Fulda, Germany
Postal address: 36035 Fulda, Germany
Phone: +49 661 6003-0
Fax: +49 661 6003-607
Email: mail@jumo.net
Internet: www.jumo.net

JUMO Instrument Co. Ltd.

JUMO House
Temple Bank, Riverway
Harlow, Essex, CM20 2DY, UK
Phone: +44 1279 63 55 33
Fax: +44 1279 62 50 29
Email: sales@jumo.co.uk
Internet: www.jumo.co.uk

JUMO Process Control, Inc.

6733 Myers Road
East Syracuse, NY 13057, USA
Phone: +1 315 437 5866
Fax: +1 315 437 5860
Email: info.us@jumo.net
Internet: www.jumousa.com



Fittings for flowmeters

Brief description

These fittings allow the connection of the following flowmeters in tubes:

- JUMO flowTRANS MAG I01
Electromagnetic flowmeter, type 406010
- JUMO flowTRANS MAG I02
Electromagnetic flowmeter with display, type 406011
- JUMO flowTRANS PW I01
Paddlewheel flowmeter, type 406020



Type 406090, stainless steel T-fitting



Type 406090, PVC T-fitting

Special features

- Large selection of process connections
DN 15 to DN 400
- Available in plastic or stainless steel
- Simple mounting
- For neutral, aggressive, or contaminated
liquids

JUMO GmbH & Co. KG
 Delivery address: Mackenrodtstraße 14
 36039 Fulda, Germany
 Postal address: 36035 Fulda, Germany
 Phone: +49 661 6003-0
 Fax: +49 661 6003-607
 Email: mail@jumo.net
 Internet: www.jumo.net


JUMO Instrument Co. Ltd.
 JUMO House
 Temple Bank, Riverway
 Harlow, Essex, CM20 2DY, UK
 Phone: +44 1279 63 55 33
 Fax: +44 1279 62 50 29
 Email: sales@jumo.co.uk
 Internet: www.jumo.co.uk

JUMO Process Control, Inc.
 6733 Myers Road
 East Syracuse, NY 13057, USA
 Phone: +1 315 437 5866
 Fax: +1 315 437 5860
 Email: info.us@jumo.net
 Internet: www.jumousa.com



PVC T-fitting according to DIN 8063

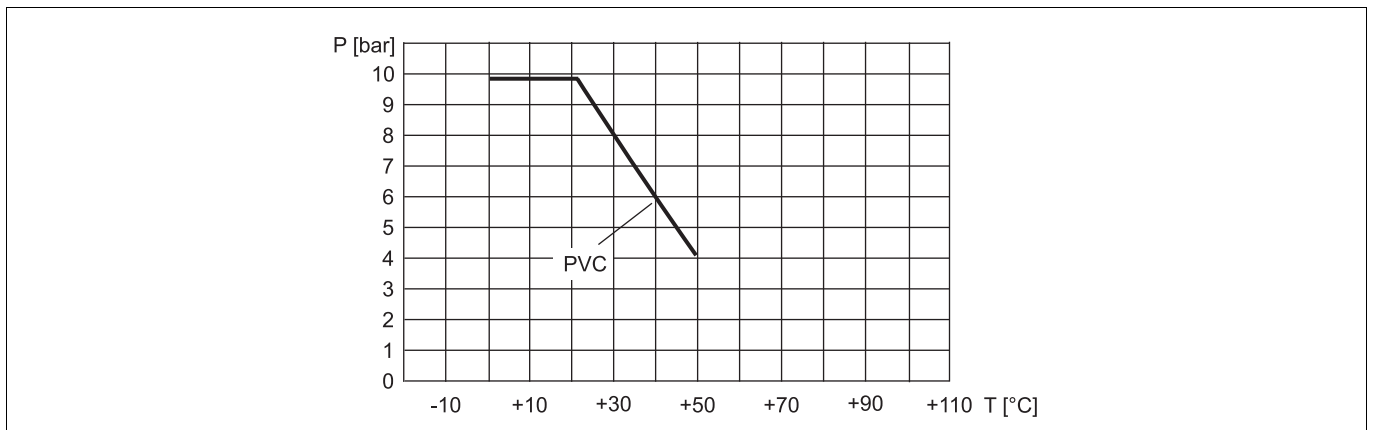
Technical data

Nominal widths	DN 15 to DN 50	
Maximum pressure	PN 10	
Medium temperature	0 to 50 °C	
Fitting material	PVC	
Sealing material	FKM	

Nominal width	Sensor version	Q _{max} ^a [l/s]	Part no.
DN 15	Short	3.19	00689250
DN 20		3.48	00689253
DN 25		5.42	00689255
DN 32		10.30	00689263
DN 40		17.52	00689265
DN 50		30.00	00689268

^a Maximum flow rate with flow velocity of 10 m/s

Pressure temperature diagram



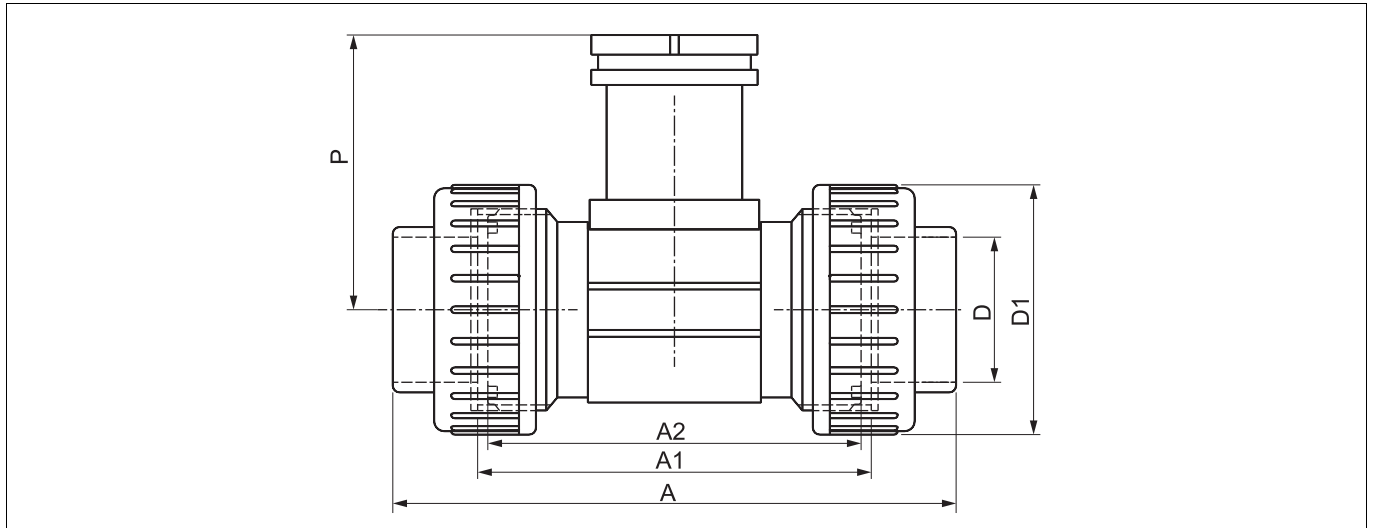
JUMO GmbH & Co. KG
 Delivery address: Mackenrodtstraße 14
 36039 Fulda, Germany
 Postal address: 36035 Fulda, Germany
 Phone: +49 661 6003-0
 Fax: +49 661 6003-607
 Email: mail@jumo.net
 Internet: www.jumo.net

JUMO Instrument Co. Ltd.
 JUMO House
 Temple Bank, Riverway
 Harlow, Essex, CM20 2DY, UK
 Phone: +44 1279 63 55 33
 Fax: +44 1279 62 50 29
 Email: sales@jumo.co.uk
 Internet: www.jumo.co.uk

JUMO Process Control, Inc.
 6733 Myers Road
 East Syracuse, NY 13057, USA
 Phone: +1 315 437 5866
 Fax: +1 315 437 5860
 Email: info.us@jumo.net
 Internet: www.jumousa.com



Dimensions



DN [mm]	P [mm]	A [mm]	A1 [mm]	A2 [mm]	D [mm]	D1 [mm]
15	80.4	128.0	96	90	20.00	43
20	77.8	144.0	106	100	25.00	53
25	78.0	160.0	116	110	32.00	60
32	81.4	168.0	116	110	40.00	74
40	85.2	188.0	127	120	50.00	83
50	91.5	212.0	136	130	63.00	103

JUMO GmbH & Co. KG
 Delivery address: Mackenrodtstraße 14
 36039 Fulda, Germany
 Postal address: 36035 Fulda, Germany
 Phone: +49 661 6003-0
 Fax: +49 661 6003-607
 Email: mail@jumo.net
 Internet: www.jumo.net

JUMO Instrument Co. Ltd.
 JUMO House
 Temple Bank, Riverway
 Harlow, Essex, CM20 2DY, UK
 Phone: +44 1279 63 55 33
 Fax: +44 1279 62 50 29
 Email: sales@jumo.co.uk
 Internet: www.jumo.co.uk

JUMO Process Control, Inc.
 6733 Myers Road
 East Syracuse, NY 13057, USA
 Phone: +1 315 437 5866
 Fax: +1 315 437 5860
 Email: info.us@jumo.net
 Internet: www.jumousa.com



Stainless steel T-fitting with internal thread connection

Technical data

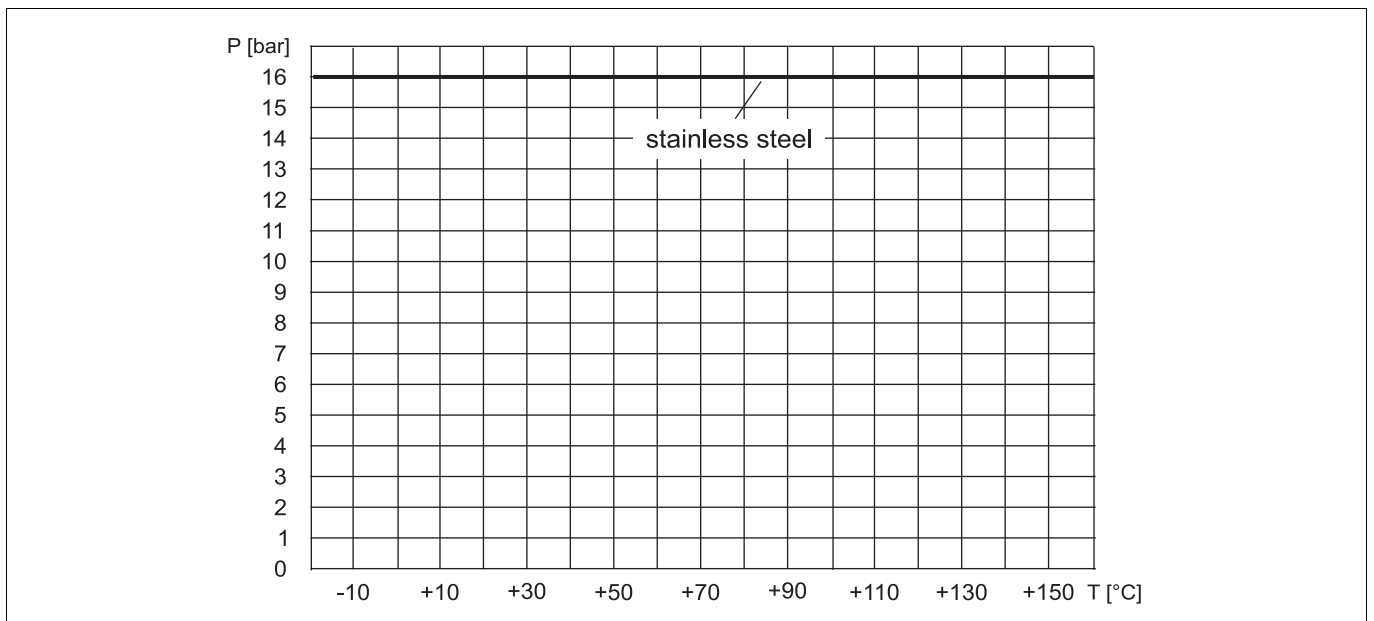
Nominal widths	DN 15 to DN 50	
Maximum pressure	PN 16	
Medium temperature	150 °C ^a	
Fitting material	316 L (1.4404)	

^a Observe installed sensor's limit values!

Nominal width	Sensor version	Q _{max} ^a [l/s]	Part no.
DN 15	Short	4.06	00689273
DN 20		4.75	00689277
DN 25		6.84	00689278
DN 32		10.37	00689279
DN 40		16.03	00689280
DN 50		27.12	00689281

^a Maximum flow rate with flow velocity of 10 m/s

Pressure temperature diagram



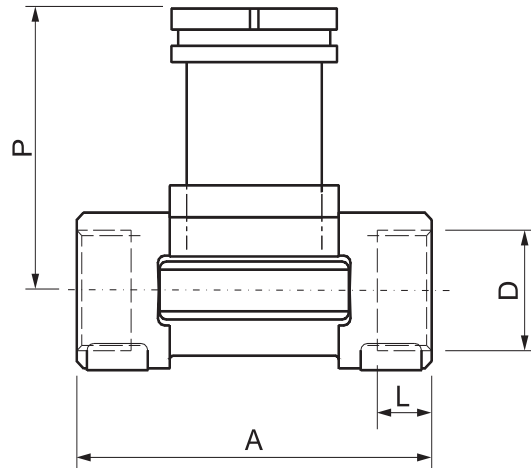
JUMO GmbH & Co. KG
 Delivery address: Mackenrodtstraße 14
 36039 Fulda, Germany
 Postal address: 36035 Fulda, Germany
 Phone: +49 661 6003-0
 Fax: +49 661 6003-607
 Email: mail@jumo.net
 Internet: www.jumo.net

JUMO Instrument Co. Ltd.
 JUMO House
 Temple Bank, Riverway
 Harlow, Essex, CM20 2DY, UK
 Phone: +44 1279 63 55 33
 Fax: +44 1279 62 50 29
 Email: sales@jumo.co.uk
 Internet: www.jumo.co.uk

JUMO Process Control, Inc.
 6733 Myers Road
 East Syracuse, NY 13057, USA
 Phone: +1 315 437 5866
 Fax: +1 315 437 5860
 Email: info.us@jumo.net
 Internet: www.jumousa.com



Dimensions



DN [mm]	P [mm]	A [mm]	D [inch]	L [mm]
15	80.3	84.0	G 1/2	16
20	77.8	94.0	G 3/4	17
25	78.0	104.0	G 1	23.5
32	81.4	119.0	G 1 1/4	23.5
40	85.4	129.0	G 1 1/2	23.5
50	91.5	148.5	G 2	27.5

JUMO GmbH & Co. KG
 Delivery address: Mackenrodtstraße 14
 36039 Fulda, Germany
 Postal address: 36035 Fulda, Germany
 Phone: +49 661 6003-0
 Fax: +49 661 6003-607
 Email: mail@jumo.net
 Internet: www.jumo.net


JUMO Instrument Co. Ltd.
 JUMO House
 Temple Bank, Riverway
 Harlow, Essex, CM20 2DY, UK
 Phone: +44 1279 63 55 33
 Fax: +44 1279 62 50 29
 Email: sales@jumo.co.uk
 Internet: www.jumo.co.uk

JUMO Process Control, Inc.
 6733 Myers Road
 East Syracuse, NY 13057, USA
 Phone: +1 315 437 5866
 Fax: +1 315 437 5860
 Email: info.us@jumo.net
 Internet: www.jumousa.com



PE welded socket

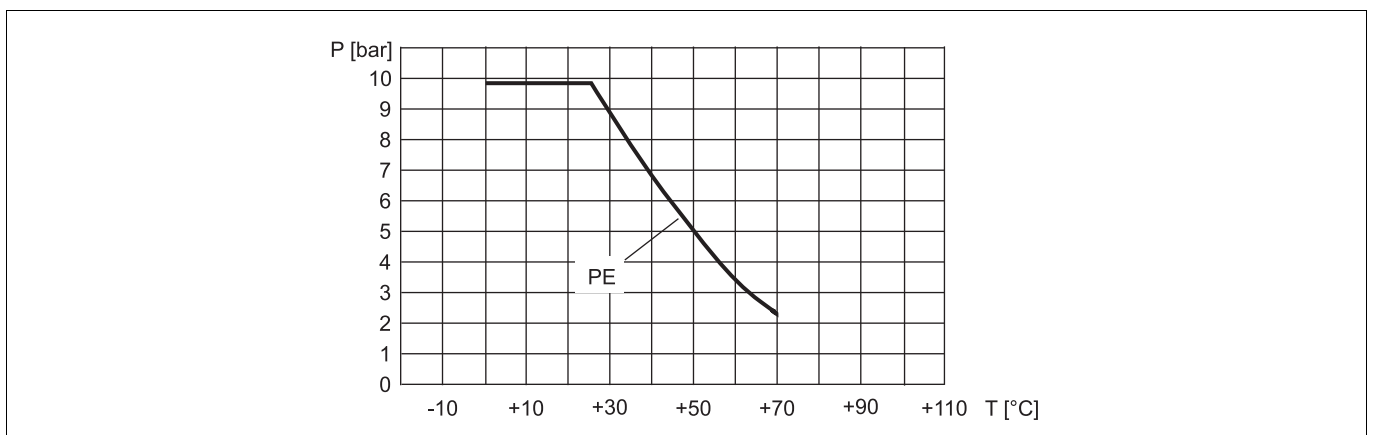
Technical data

Nominal widths	DN 65 to DN 400	
Maximum pressure	PN 10	
Medium temperature	0 to 70 °C	
Fitting material	PE	

Nominal width	Sensor version	Q _{max} ^a [l/s]	Part no.
DN 65	Short	42.72	00523060
DN 80		61.44	00537732
DN 100		91.44	00537733
DN 125	Long	196.08	00537734
DN 150		247.20	00537735
DN 200		537.60	00537737
DN 250		832.80	00537738
DN 300		1224.00	00537740
DN 350		1692.00	00537741
DN 400		2234.40	00537742

^a Maximum flow rate with flow velocity of 10 m/s

Pressure temperature diagram



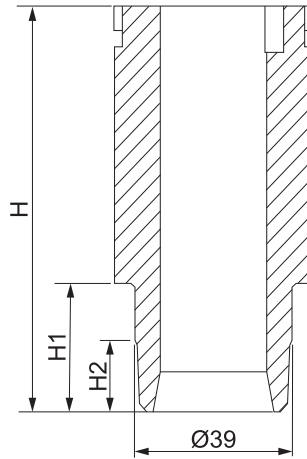
JUMO GmbH & Co. KG
 Delivery address: Mackenrodtstraße 14
 36039 Fulda, Germany
 Postal address: 36035 Fulda, Germany
 Phone: +49 661 6003-0
 Fax: +49 661 6003-607
 Email: mail@jumo.net
 Internet: www.jumo.net

JUMO Instrument Co. Ltd.
 JUMO House
 Temple Bank, Riverway
 Harlow, Essex, CM20 2DY, UK
 Phone: +44 1279 63 55 33
 Fax: +44 1279 62 50 29
 Email: sales@jumo.co.uk
 Internet: www.jumo.co.uk

JUMO Process Control, Inc.
 6733 Myers Road
 East Syracuse, NY 13057, USA
 Phone: +1 315 437 5866
 Fax: +1 315 437 5860
 Email: info.us@jumo.net
 Internet: www.jumousa.com



Dimensions



DN [mm]	H [mm]	H1 [mm]	H2 [mm]
65	72.5	13.0	-
80	72.5	15.6	-
100	72.5	19.0	5.0
125	102.0	24.2	8.0
150	102.0	27.7	10.0
200	102.0	38.9	16.0
250	102.0	48.4	21.0
300	102.0	54.5	24.0
350	120.0	61.3	28.0
400	102.0	69.1	31.5

JUMO GmbH & Co. KG
 Delivery address: Mackenrodtstraße 14
 36039 Fulda, Germany
 Postal address: 36035 Fulda, Germany
 Phone: +49 661 6003-0
 Fax: +49 661 6003-607
 Email: mail@jumo.net
 Internet: www.jumo.net


JUMO Instrument Co. Ltd.
 JUMO House
 Temple Bank, Riverway
 Harlow, Essex, CM20 2DY, UK
 Phone: +44 1279 63 55 33
 Fax: +44 1279 62 50 29
 Email: sales@jumo.co.uk
 Internet: www.jumo.co.uk

JUMO Process Control, Inc.
 6733 Myers Road
 East Syracuse, NY 13057, USA
 Phone: +1 315 437 5866
 Fax: +1 315 437 5860
 Email: info.us@jumo.net
 Internet: www.jumousa.com



Stainless steel welded socket with radius

Technical data

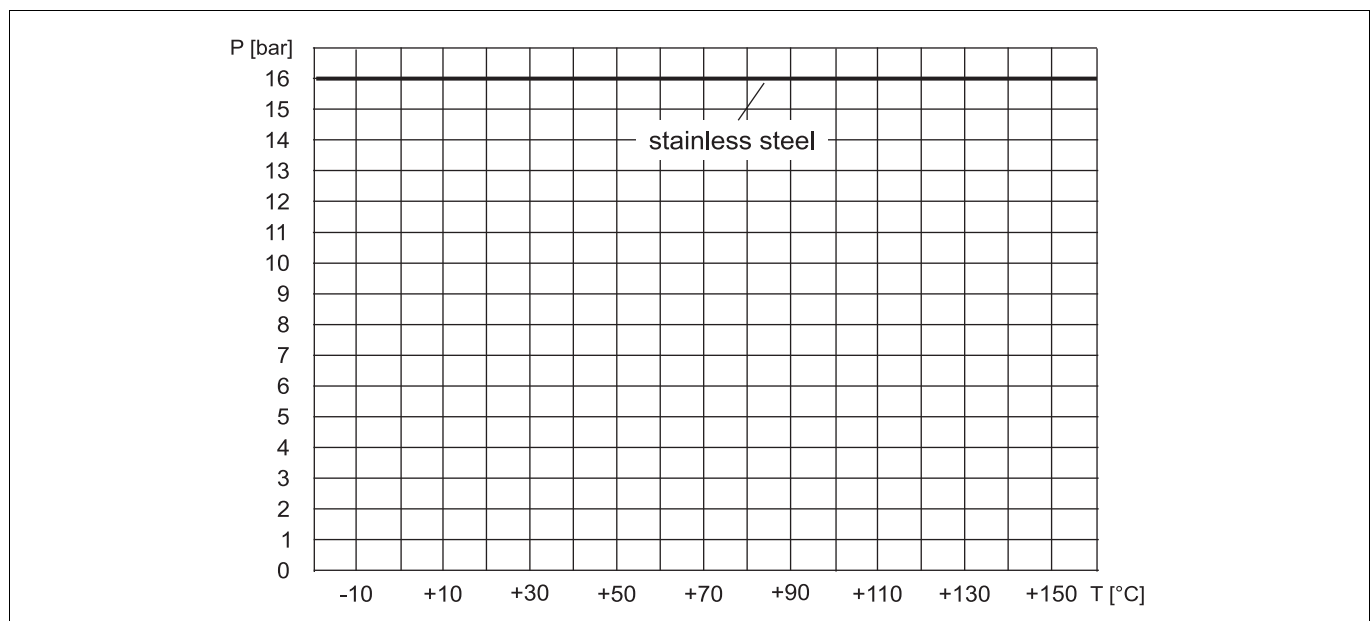
Nominal widths	DN 50 to DN 350	
Maximum pressure	PN 16 ^a	
Medium temperature	0 to 150 °C ^a	
Fitting material	316 L (1.4404)	

^a Observe installed sensor's limit values!

Nominal width	Sensor version	Q _{max} ^a [l/s]	Part no.
DN 50	Short	27.84	00553874
DN 65		48.00	00553875
DN 80		68.40	00553877
DN 100		118.08	00553878
DN 125		187.20	00553879
DN 150		236.16	00553881
DN 200		504.00	00553882
DN 250	Long	746.40	00553883
DN 300		1072.80	00553885
DN 350		1461.60	00553887

^a Maximum flow rate with flow velocity of 10 m/s

Pressure temperature diagram



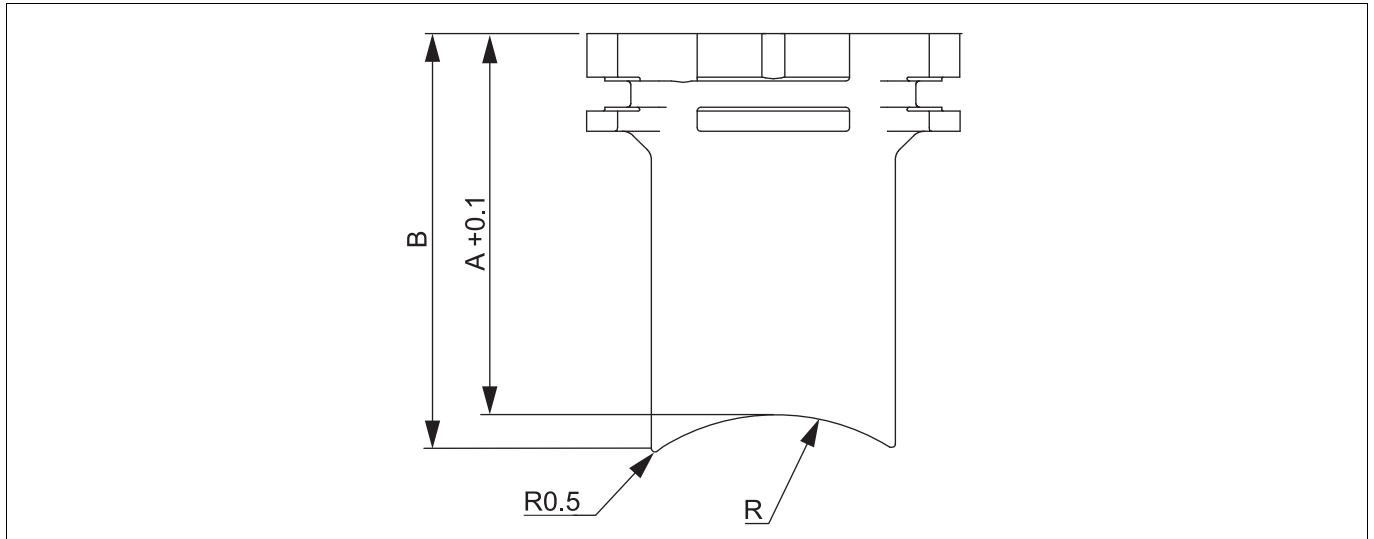
JUMO GmbH & Co. KG
 Delivery address: Mackenrodtstraße 14
 36039 Fulda, Germany
 Postal address: 36035 Fulda, Germany
 Phone: +49 661 6003-0
 Fax: +49 661 6003-607
 Email: mail@jumo.net
 Internet: www.jumo.net

JUMO Instrument Co. Ltd.
 JUMO House
 Temple Bank, Riverway
 Harlow, Essex, CM20 2DY, UK
 Phone: +44 1279 63 55 33
 Fax: +44 1279 62 50 29
 Email: sales@jumo.co.uk
 Internet: www.jumo.co.uk

JUMO Process Control, Inc.
 6733 Myers Road
 East Syracuse, NY 13057, USA
 Phone: +1 315 437 5866
 Fax: +1 315 437 5860
 Email: info.us@jumo.net
 Internet: www.jumousa.com



Dimensions



DN [mm]	A [mm]	W [mm]	R [mm]
50	56.6	61.6	30.2
65	54.5	58.6	36.7
80	53.1	56.4	44.5
100	50.7	53.2	57.2
125	48.2	50.3	70.7
150	45.7	47.4	84.2
200	41.0	42.3	109.6
250	73.6	74.7	136.6
300	67.8	68.7	162.0
350	63.9	64.7	177.8

JUMO GmbH & Co. KG
 Delivery address: Mackenrodtstraße 14
 36039 Fulda, Germany
 Postal address: 36035 Fulda, Germany
 Phone: +49 661 6003-0
 Fax: +49 661 6003-607
 Email: mail@jumo.net
 Internet: www.jumo.net

JUMO Instrument Co. Ltd.
 JUMO House
 Temple Bank, Riverway
 Harlow, Essex, CM20 2DY, UK
 Phone: +44 1279 63 55 33
 Fax: +44 1279 62 50 29
 Email: sales@jumo.co.uk
 Internet: www.jumo.co.uk

JUMO Process Control, Inc.
 6733 Myers Road
 East Syracuse, NY 13057, USA
 Phone: +1 315 437 5866
 Fax: +1 315 437 5860
 Email: info.us@jumo.net
 Internet: www.jumousa.com



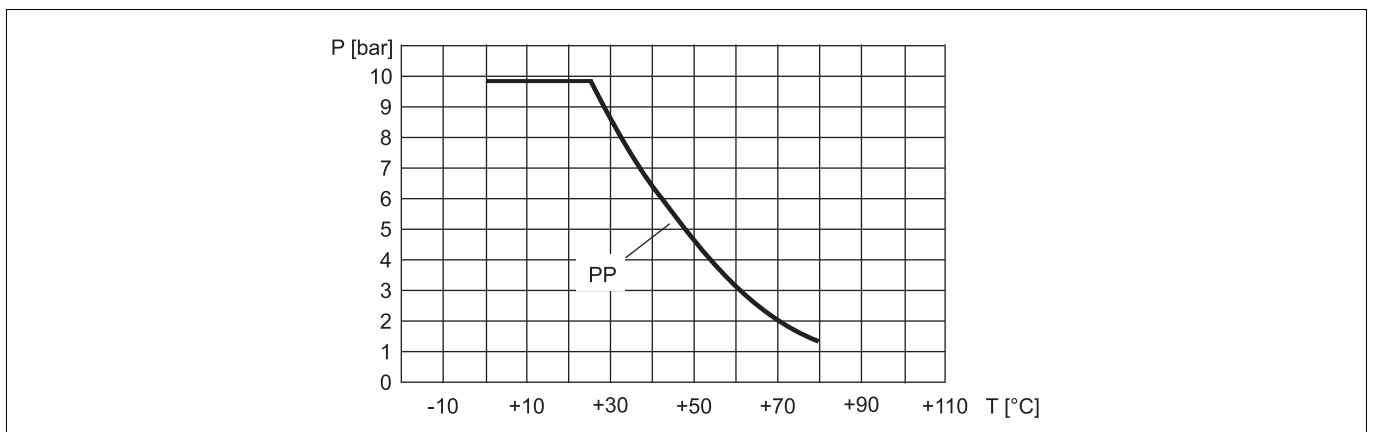
PP connection clamp

Technical data

Nominal widths	DN 50 to DN 200	
Maximum pressure	PN 10	
Medium temperature	0 to 80 °C	
Fitting material	PP (housing) and PVC (clamp)	
Sealing material	EPDM	

Nominal width	Sensor version	Part no.
DN 50	Long	00553889
DN 65		00553890
DN 80		00553891
DN 100		00553893
DN 110		00553894
DN 125		00553895
DN 150		00553898
DN 180		00553900
DN 200		00553901

Pressure temperature diagram



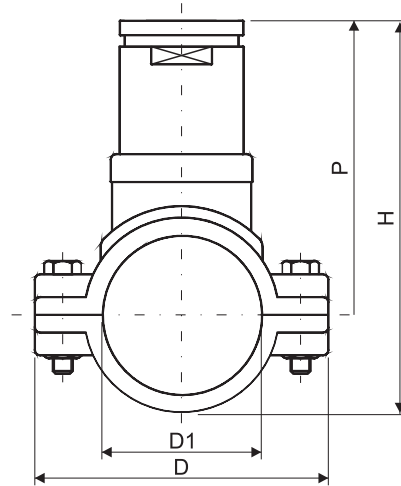
JUMO GmbH & Co. KG
 Delivery address: Mackenrodtstraße 14
 36039 Fulda, Germany
 Postal address: 36035 Fulda, Germany
 Phone: +49 661 6003-0
 Fax: +49 661 6003-607
 Email: mail@jumo.net
 Internet: www.jumo.net

JUMO Instrument Co. Ltd.
 JUMO House
 Temple Bank, Riverway
 Harlow, Essex, CM20 2DY, UK
 Phone: +44 1279 63 55 33
 Fax: +44 1279 62 50 29
 Email: sales@jumo.co.uk
 Internet: www.jumo.co.uk

JUMO Process Control, Inc.
 6733 Myers Road
 East Syracuse, NY 13057, USA
 Phone: +1 315 437 5866
 Fax: +1 315 437 5860
 Email: info.us@jumo.net
 Internet: www.jumousa.com



Dimensions



DN [mm]	P [mm]	H [mm]	D [mm]	D1 [mm]
50	116.0	155	116	63
65	115.0	160	129	75
80	119.0	171	144	90
100	124.0	187	166	110
110	120.0	191	181	125
125	127.0	205	196	140
150	137.0	225	216	160
180	161.0	271	266	200
200	173.0	291	290	225

JUMO GmbH & Co. KG
 Delivery address: Mackenrodtstraße 14
 36039 Fulda, Germany
 Postal address: 36035 Fulda, Germany
 Phone: +49 661 6003-0
 Fax: +49 661 6003-607
 Email: mail@jumo.net
 Internet: www.jumo.net

JUMO Instrument Co. Ltd.
 JUMO House
 Temple Bank, Riverway
 Harlow, Essex, CM20 2DY, UK
 Phone: +44 1279 63 55 33
 Fax: +44 1279 62 50 29
 Email: sales@jumo.co.uk
 Internet: www.jumo.co.uk

JUMO Process Control, Inc.
 6733 Myers Road
 East Syracuse, NY 13057, USA
 Phone: +1 315 437 5866
 Fax: +1 315 437 5860
 Email: info.us@jumo.net
 Internet: www.jumousa.com

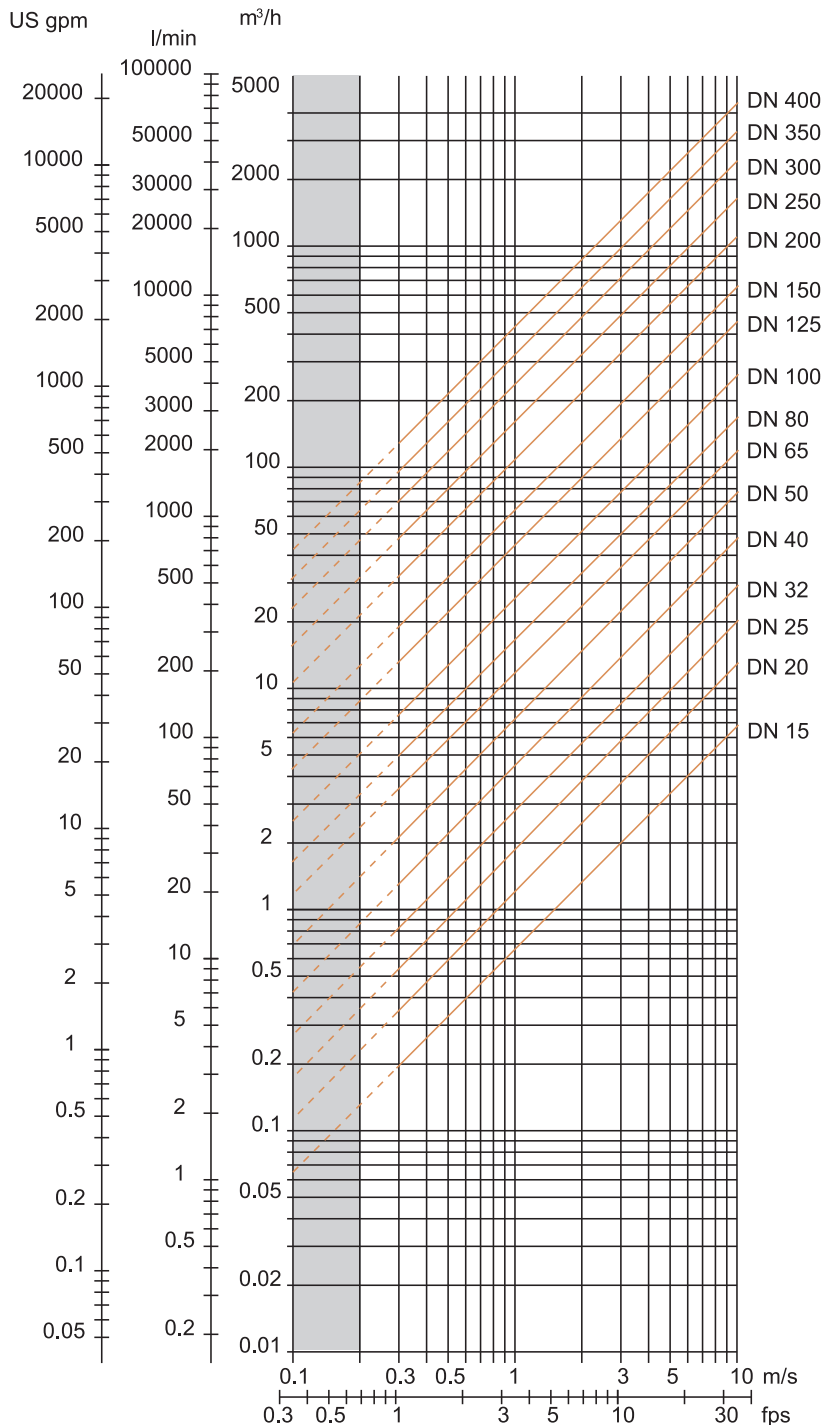


Selection of the nominal pipe width

Example

Nominal flow	10 m ³ /h
Desired medium velocity	2 to 3 m/s
Suitable pipe	DN 40

Flow rate of the medium



JUMO GmbH & Co. KG
Delivery address: Mackenrodtstraße 14
36039 Fulda, Germany
Postal address: 36035 Fulda, Germany
Phone: +49 661 6003-0
Fax: +49 661 6003-607
Email: mail@jumo.net
Internet: www.jumo.net

JUMO Instrument Co. Ltd.
JUMO House
Temple Bank, Riverway
Harlow, Essex, CM20 2DY, UK
Phone: +44 1279 63 55 33
Fax: +44 1279 62 50 29
Email: sales@jumo.co.uk
Internet: www.jumo.co.uk

JUMO Process Control, Inc.
6733 Myers Road
East Syracuse, NY 13057, USA
Phone: +1 315 437 5866
Fax: +1 315 437 5860
Email: info.us@jumo.net
Internet: www.jumousa.com



Mounting example

- (1) Flowmeter
- (2) Circlip
- (3) Union nut
- (4) Groove for circlip
- (5) Fitting 406090

The detailed description of device installation is contained in the chapter on mounting in the operating manual of the device.

