

JUMO GmbH & Co. KG
 Delivery address: Mackenrodtstraße 14
 36039 Fulda, Germany
 Postal address: 36035 Fulda, Germany
 Phone: +49 661 6003-0
 Fax: +49 661 6003-607
 Email: mail@jumo.net
 Internet: www.jumo.net

JUMO Instrument Co. Ltd.
 JUMO House
 Temple Bank, Riverway
 Harlow, Essex, CM20 2DY, UK
 Phone: +44 1279 63 55 33
 Fax: +44 1279 62 50 29
 Email: sales@jumo.co.uk
 Internet: www.jumo.co.uk

JUMO Process Control, Inc.
 6733 Myers Road
 East Syracuse, NY 13057, USA
 Phone: +1 315 437 5866
 Fax: +1 315 437 5860
 Email: info.us@jumo.net
 Internet: www.jumousa.com



Retractable Fitting

Series 202822

Brief description

The quick-change fittings, which can be operated manually, permit sensor mounting and removal under process conditions, which means that the liquid cycle concerned, or the main flow, need not be interrupted. Quick-change fittings are mainly used for pH measurements in closed cycles, or for measurements in the inflow and outflow of water purification plants. The quick-change fitting can also be installed at the side of the tank, which allows the sensor to be removed without previously emptying the tank. The fitting enables the mounting of one sensor with a Pg13.5 thread and a mounting length of 120 or 225mm.

Applications

- Measurements in closed liquid cycles, e.g. pH measurement in cooling and water purification plants
- Measurements in closed containers and tanks
- Final pH check in outflow, if a bypass is not possible
- Type 202822/106-135-.. fitting with screw-in thread G1A, material: stainless steel or PP, for installing one sensor with a Pg 13.5 thread and a mounting length of 225 mm
- Type 202822/105-62-.. fitting with screw-in thread G3/4A, material: stainless steel or PP, for installing one sensor with a Pg 13.5 thread and a mounting length of 120 mm
- Type 202822/613-48-26 fitting with clamp connection, material: stainless steel, for installing one sensor with a Pg 13.5 thread and a mounting length of 120 mm



Type 202822/106.../26

Further fittings

| Fitting type | Data sheet |
|-------------------------------|------------|
| Flow-through fittings | 202810 |
| Immersion fittings | 202820 |
| Process immersion fitting | 202821 |
| Quick-change fittings | 202822 |
| Pneumatic retractable fitting | 202823 |
| Process fittings | 202825 |



Type 202822/613.../26

JUMO GmbH & Co. KG
 Delivery address: Mackenrodtstraße 14
 36039 Fulda, Germany
 Postal address: 36035 Fulda, Germany
 Phone: +49 661 6003-0
 Fax: +49 661 6003-607
 Email: mail@jumo.net
 Internet: www.jumo.net

JUMO Instrument Co. Ltd.
 JUMO House
 Temple Bank, Riverway
 Harlow, Essex, CM20 2DY, UK
 Phone: +44 1279 63 55 33
 Fax: +44 1279 62 50 29
 Email: sales@jumo.co.uk
 Internet: www.jumo.co.uk

JUMO Process Control, Inc.
 6733 Myers Road
 East Syracuse, NY 13057, USA
 Phone: +1 315 437 5866
 Fax: +1 315 437 5860
 Email: info.us@jumo.net
 Internet: www.jumousa.com



Technical data

| | |
|--------------------------------------|--|
| Parts in contact with medium | Stainless steel 1.4571 and FPM or PP and FPM |
| Permissible temperature ^a | -30 to +135 °C stainless steel -10 to +60 °C PP |
| Safe pressure at 25 °C | up to 10 bar for stainless steel up to 6 bar for PP |
| Seal | FPM |
| Protection type | IP65 |
| Mounting position | Please observe the mounting instructions for the sensor that is used. |
| Electrode holder | Pg13.5 thread A type 202995 impedance converter or a type 202705 two-wire transmitter (JUMO digiLine with analog output) can be incorporated. |
| Weight | Type 202822/105-062-26: 0.8 kg Type 202822/106-135-26: 1.0 kg Type 202822/613-048-26: 1.2 kg |

^a Please also note the maximum operating data for the sensor used! It is **not** possible to remove the sensor at maximum temperature!

Mounting options

| | | | | |
|--------------------------------------|---|--|--------------------------------|------------------------------|
| <p>Type 202822/106-135...</p> | <p>Type 202822/105-062..</p> <table border="1"> <tr> <td data-bbox="545 1046 1046 1881"> <p>Insertion in a pipeline</p> </td> <td data-bbox="1046 1046 1487 1881"> <p>Insertion in a vessel</p> </td> </tr> </table> | | <p>Insertion in a pipeline</p> | <p>Insertion in a vessel</p> |
| <p>Insertion in a pipeline</p> | <p>Insertion in a vessel</p> | | | |

- (1) Seal (not include in delivery)
- (2) Sleeve DIN 2986-1

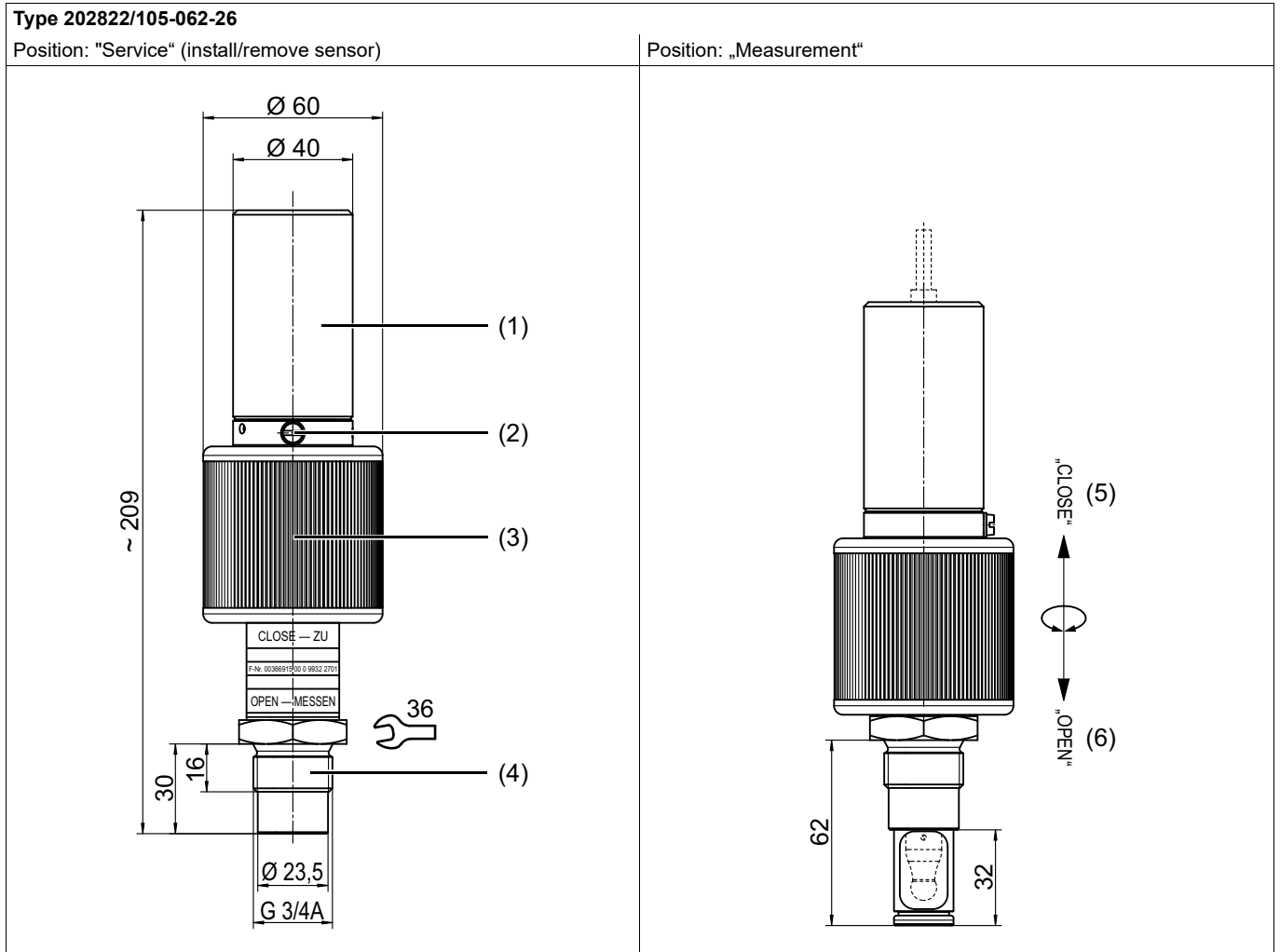
JUMO GmbH & Co. KG
 Delivery address: Mackenrodtstraße 14
 36039 Fulda, Germany
 Postal address: 36035 Fulda, Germany
 Phone: +49 661 6003-0
 Fax: +49 661 6003-607
 Email: mail@jumo.net
 Internet: www.jumo.net

JUMO Instrument Co. Ltd.
 JUMO House
 Temple Bank, Riverway
 Harlow, Essex, CM20 2DY, UK
 Phone: +44 1279 63 55 33
 Fax: +44 1279 62 50 29
 Email: sales@jumo.co.uk
 Internet: www.jumo.co.uk

JUMO Process Control, Inc.
 6733 Myers Road
 East Syracuse, NY 13057, USA
 Phone: +1 315 437 5866
 Fax: +1 315 437 5860
 Email: info.us@jumo.net
 Internet: www.jumousa.com



Dimensions



- | | |
|------------------------|---|
| (1) Protective cap, PP | (4) Connection G 3/4 A, stainless steel |
| (2) Grounding screw | (5) Position „closed“ |
| (3) Union nut, PP | (6) Position „open“ |

JUMO GmbH & Co. KG
 Delivery address: Mackenrodtstraße 14
 36039 Fulda, Germany
 Postal address: 36035 Fulda, Germany
 Phone: +49 661 6003-0
 Fax: +49 661 6003-607
 Email: mail@jumo.net
 Internet: www.jumo.net

JUMO Instrument Co. Ltd.
 JUMO House
 Temple Bank, Riverway
 Harlow, Essex, CM20 2DY, UK
 Phone: +44 1279 63 55 33
 Fax: +44 1279 62 50 29
 Email: sales@jumo.co.uk
 Internet: www.jumo.co.uk

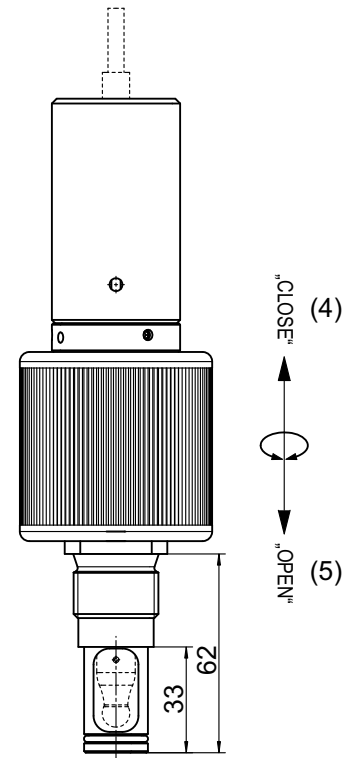
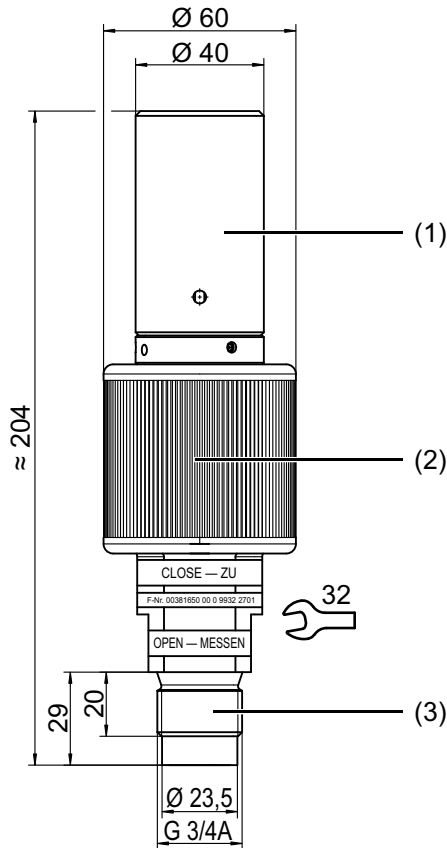
JUMO Process Control, Inc.
 6733 Myers Road
 East Syracuse, NY 13057, USA
 Phone: +1 315 437 5866
 Fax: +1 315 437 5860
 Email: info.us@jumo.net
 Internet: www.jumousa.com



Type 202822/105-062-87

Position: "Service" (install/remove sensor)

Position: „Measurement“



- (1) Protective cap, PP
- (2) Union nut, PP
- (3) Connection G 3/4 A, PP
- (4) Position „closed“
- (5) Position „open“

JUMO GmbH & Co. KG
 Delivery address: Mackenrodtstraße 14
 36039 Fulda, Germany
 Postal address: 36035 Fulda, Germany
 Phone: +49 661 6003-0
 Fax: +49 661 6003-607
 Email: mail@jumo.net
 Internet: www.jumo.net

JUMO Instrument Co. Ltd.
 JUMO House
 Temple Bank, Riverway
 Harlow, Essex, CM20 2DY, UK
 Phone: +44 1279 63 55 33
 Fax: +44 1279 62 50 29
 Email: sales@jumo.co.uk
 Internet: www.jumo.co.uk

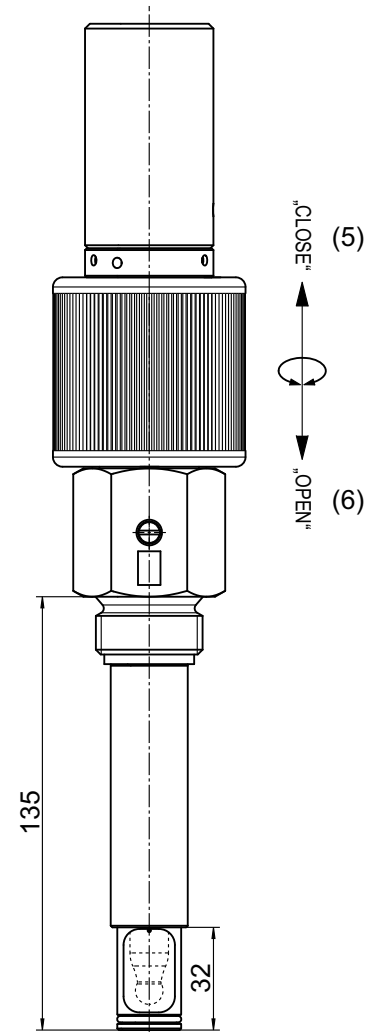
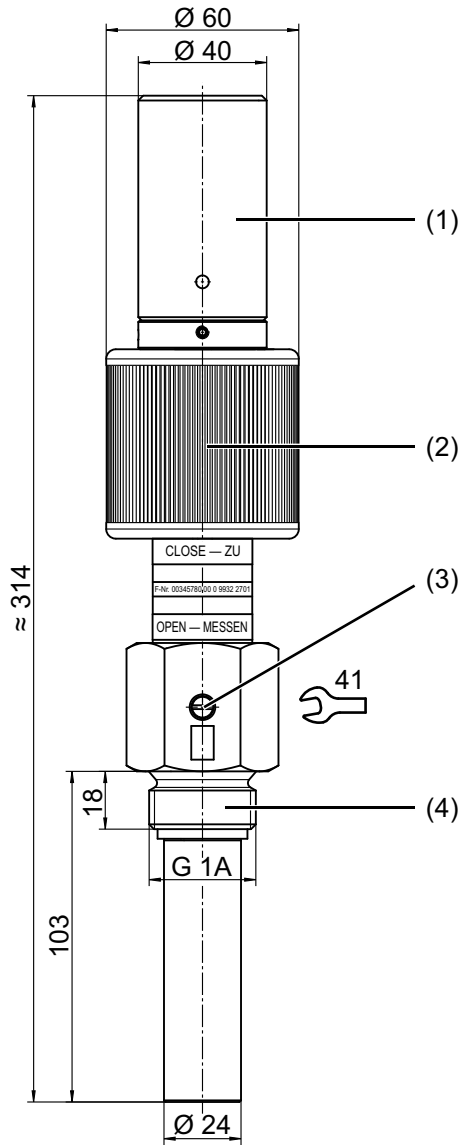
JUMO Process Control, Inc.
 6733 Myers Road
 East Syracuse, NY 13057, USA
 Phone: +1 315 437 5866
 Fax: +1 315 437 5860
 Email: info.us@jumo.net
 Internet: www.jumousa.com



Type 202822/106-135-26

Position: "Service" (install/remove sensor)

Position: „Measurement“



- | | |
|------------------------|---------------------------------------|
| (1) Protective cap, PP | (4) Connection G 1 A, stainless steel |
| (2) Union nut, PP | (5) Position „closed“ |
| (3) Grounding screw | (6) Position „open“ |

JUMO GmbH & Co. KG
 Delivery address: Mackenrodtstraße 14
 36039 Fulda, Germany
 Postal address: 36035 Fulda, Germany
 Phone: +49 661 6003-0
 Fax: +49 661 6003-607
 Email: mail@jumo.net
 Internet: www.jumo.net

JUMO Instrument Co. Ltd.
 JUMO House
 Temple Bank, Riverway
 Harlow, Essex, CM20 2DY, UK
 Phone: +44 1279 63 55 33
 Fax: +44 1279 62 50 29
 Email: sales@jumo.co.uk
 Internet: www.jumo.co.uk

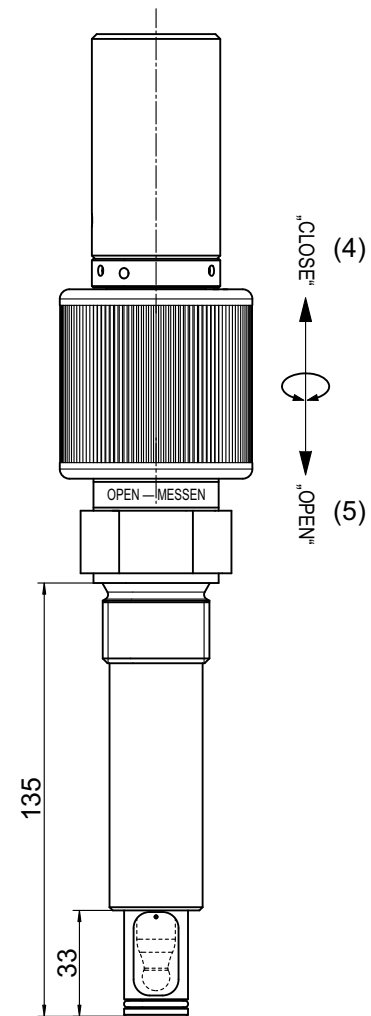
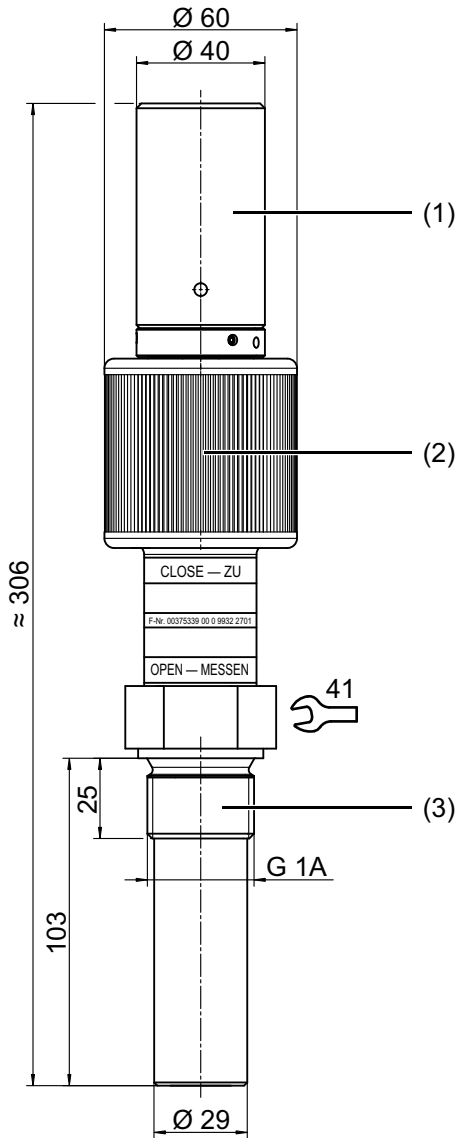
JUMO Process Control, Inc.
 6733 Myers Road
 East Syracuse, NY 13057, USA
 Phone: +1 315 437 5866
 Fax: +1 315 437 5860
 Email: info.us@jumo.net
 Internet: www.jumousa.com



Type 202822/106-135-87

Position: "Service" (install/remove sensor)

Position: „Measurement“



- (1) Protective cap, PP
- (2) Union nut, PP
- (3) Connection G 3/4 A, PP

- (4) Position „closed“
- (5) Position „open“

JUMO GmbH & Co. KG
 Delivery address: Mackenrodtstraße 14
 36039 Fulda, Germany
 Postal address: 36035 Fulda, Germany
 Phone: +49 661 6003-0
 Fax: +49 661 6003-607
 Email: mail@jumo.net
 Internet: www.jumo.net

JUMO Instrument Co. Ltd.
 JUMO House
 Temple Bank, Riverway
 Harlow, Essex, CM20 2DY, UK
 Phone: +44 1279 63 55 33
 Fax: +44 1279 62 50 29
 Email: sales@jumo.co.uk
 Internet: www.jumo.co.uk

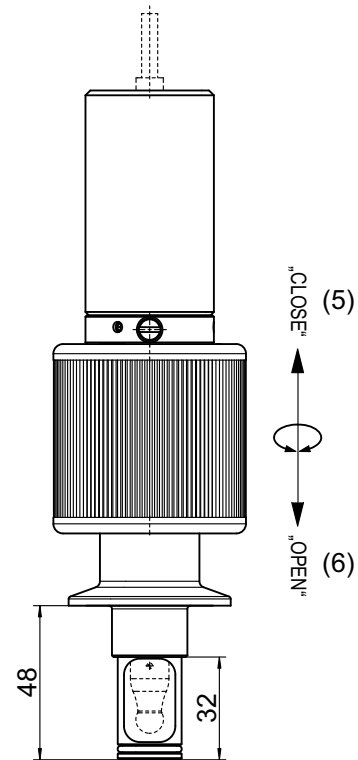
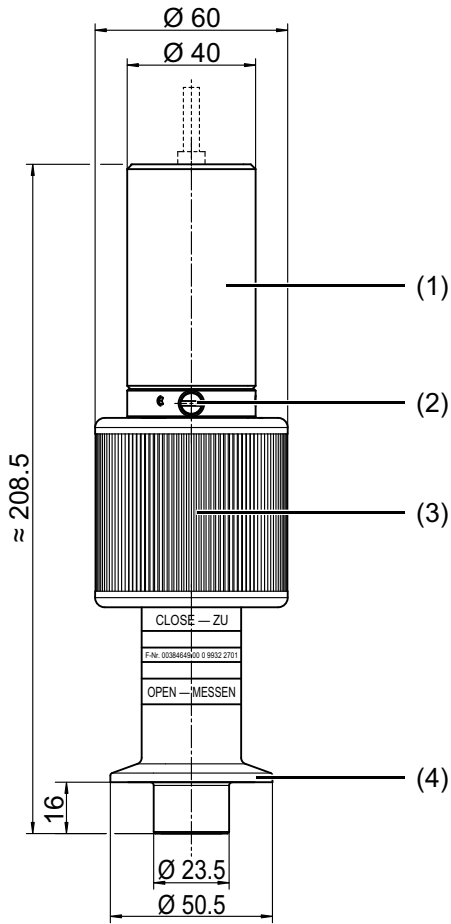
JUMO Process Control, Inc.
 6733 Myers Road
 East Syracuse, NY 13057, USA
 Phone: +1 315 437 5866
 Fax: +1 315 437 5860
 Email: info.us@jumo.net
 Internet: www.jumousa.com



Type 202822/613-048-26

Position: "Service" (install/remove sensor)

Position: „Measurement“



- | | |
|------------------------|---|
| (1) Protective cap, PP | (4) Connection Clamp DN 25/32/40, stainless steel |
| (2) Grounding screw | (5) Position „closed“ |
| (3) Union nut, PP | (6) Position „open“ |

JUMO GmbH & Co. KG
 Delivery address: Mackenrodtstraße 14
 36039 Fulda, Germany
 Postal address: 36035 Fulda, Germany
 Phone: +49 661 6003-0
 Fax: +49 661 6003-607
 Email: mail@jumo.net
 Internet: www.jumo.net

JUMO Instrument Co. Ltd.
 JUMO House
 Temple Bank, Riverway
 Harlow, Essex, CM20 2DY, UK
 Phone: +44 1279 63 55 33
 Fax: +44 1279 62 50 29
 Email: sales@jumo.co.uk
 Internet: www.jumo.co.uk

JUMO Process Control, Inc.
 6733 Myers Road
 East Syracuse, NY 13057, USA
 Phone: +1 315 437 5866
 Fax: +1 315 437 5860
 Email: info.us@jumo.net
 Internet: www.jumousa.com



Order details

| | | | |
|---|--------|--|---|
| | | (1) Basic type | |
| | 202822 | Manual quick-change fitting | |
| | | (2) Process connection | |
| | 105 | Screw-in thread G 3/4 A ^a (3/4" pipe) | |
| | 106 | Screw-in thread G 1 A ^b (1" pipe) | |
| | 613 | Clamp connection DN 25/32/40 according to DIN 32676 ^a | |
| | | (3) Insertion length | |
| | X | 048 48 mm | |
| | X | 062 62 mm | |
| | X | 135 135 mm | |
| | | (4) Material | |
| X | X | X | 26 Parts in contact with medium: stainless steel 1.4571 |
| O | O | | 87 Polypropylene (PP) |

^a For electrodes with an insertion length of 120 mm.

^b For electrodes with an insertion length of 225 mm.

X = standard

O = as an option

| | | | | | | | | |
|----------------------|--|--------|---|-----|---|-----|---|-----|
| Order code | | (1) | / | (2) | - | (3) | - | (4) |
| Order example | | 202822 | / | 105 | - | 062 | - | 26 |

Note:

The order code is not modular. When placing orders, if possible please select the items listed under "**Stock versions**". We must check the technical feasibility of and approve freely chosen combinations of individual code parts.

JUMO GmbH & Co. KG
 Delivery address: Mackenrodtstraße 14
 36039 Fulda, Germany
 Postal address: 36035 Fulda, Germany
 Phone: +49 661 6003-0
 Fax: +49 661 6003-607
 Email: mail@jumo.net
 Internet: www.jumo.net

JUMO Instrument Co. Ltd.
 JUMO House
 Temple Bank, Riverway
 Harlow, Essex, CM20 2DY, UK
 Phone: +44 1279 63 55 33
 Fax: +44 1279 62 50 29
 Email: sales@jumo.co.uk
 Internet: www.jumo.co.uk

JUMO Process Control, Inc.
 6733 Myers Road
 East Syracuse, NY 13057, USA
 Phone: +1 315 437 5866
 Fax: +1 315 437 5860
 Email: info.us@jumo.net
 Internet: www.jumousa.com



Stock versions

| Type | Process connection | Insertion length | Material | Part no. |
|-------------------|---|------------------|--|----------|
| 202822/105-62-26 | Screw-in thread G 3/4 A for electrodes with insertion length = 120 mm | 62 mm | Parts in contact with medium: stainless steel 1.4571 | 00366915 |
| 202822/105-62-87 | Screw-in thread G 3/4 A for electrodes with insertion length = 120 mm | 62 mm | PP | 00381650 |
| 202822/106-135-26 | Screw-in thread G 1 A for electrodes with insertion length = 225 mm | 135 mm | Parts in contact with medium: stainless steel 1.4571 | 00345780 |
| 202822/106-135-87 | Screw-in thread G 1 A for electrodes with insertion length = 225 mm | 135 mm | PP | 00375339 |
| 202822/613-48-26 | Clamp connection DN 25/32/40 DIN 32676 | 48 mm | Parts in contact with medium: stainless steel 1.4571 | 00384649 |

Accessories

| Description | Part no. |
|--|----------|
| KCl reservoir, pressure-resistant, for building up an electrolyte bridge or when using KCl-filled electrodes ^a , wall-mounted | 00060254 |
| Sealing set ^b FPM for 202822 retractable fitting | 00420614 |
| Sealing set ^b EPDM for 202822 retractable fitting | 00706820 |

^a Specify insertion length.

^b O-Ring 25 × 2, O-Ring 16 × 2, and installation wrench.