

JUMO GmbH & Co. KG

Delivery address: Mackenrodtstraße 14,
36039 Fulda, Germany
Postal address: 36035 Fulda, Germany
Phone: +49 661 6003-0
Fax: +49 661 6003-607
E-mail: mail@jumo.net
Internet: www.jumo.net

JUMO Instrument Co. Ltd.

JUMO House
Temple Bank, Riverway
Harlow - Essex CM20 2DY, UK
Phone: +44 1279 63 55 33
Fax: +44 1279 63 52 62
E-mail: sales@jumo.co.uk
Internet: www.jumo.co.uk

JUMO Process Control, Inc.

8 Technology Boulevard
Canastota, NY 13032, USA
Phone: 315-697-JUMO
1-800-554-JUMO
Fax: 315-697-5867
E-mail: info@jumo.us
Internet: www.jumo.us



JUMO FOODtemp

Thermocouple Insertion Probes

- For temperatures from -100 ... +260°C
- Steam-tight
- High mechanical strength
- For use in the food industry
- Available with multiple measurement points

Due to their special construction, these robust, steam-tight thermocouple insertion probes are especially suited to smoking, cooking, boiling, and baking processes in all food processing and food preservation applications.

The stainless steel thermocouple is available with a concentric or oblique insertion tip. All versions have a highly vibration resistant design. The handle is oil-resistant and acid-proof. The measurement insert is equipped with thermal pairs NiCr-Ni according to type K thermocouples per DIN EN 60 584, class 1.



Technical Data

Cable termination

Stripped wire ends, with ferrules, also available with contacts or multi-pole connectors

Cable

PTFE, permissible ambient temperature range -100 ... +260°C

Handle

PTFE handle, ambient temperature max. +260°C
PEEK handle, ambient temperature max. +260°C

Probe

Stainless steel 1.4571 (equivalent to SS 316 Ti), Ø 4mm, Ø 4.5mm

Probe tip

Concentric, angled at approx. 25°
oblique, angled at 45°

Measurement insert

3x NiCr-Ni Type K, DIN EN 60 584, class 1, operating temperature -100 ... +260°C
4 x NiCr-Ni Type K, DIN EN 60 584, cl. 1, operating temperature -100 ... +260°C
5 x NiCr-Ni Type K, DIN EN 60 584, cl. 1, operating temperature -100 ... +260°C

Protection class

IP67

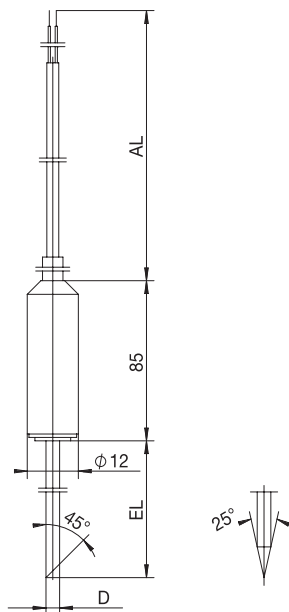
JUMO GmbH & Co. KG
 Delivery address: Mackenrodtstraße 14,
 36039 Fulda, Germany
 Postal address: 36035 Fulda, Germany
 Phone: +49 661 6003-0
 Fax: +49 661 6003-607
 E-mail: mail@jumo.net
 Internet: www.jumo.net

JUMO Instrument Co. Ltd.
 JUMO House
 Temple Bank, Riverway
 Harlow - Essex CM20 2DY, UK
 Phone: +44 1279 63 55 33
 Fax: +44 1279 63 52 62
 E-mail: sales@jumo.co.uk
 Internet: www.jumo.co.uk

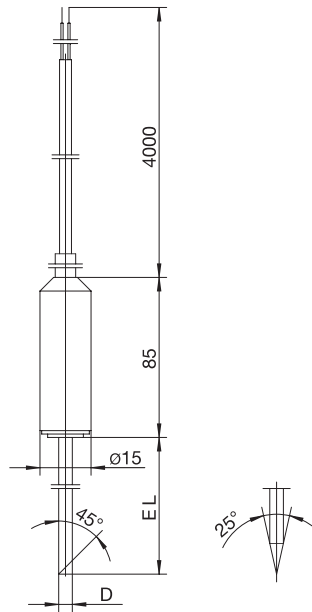
JUMO Process Control, Inc.
 8 Technology Boulevard
 Canastota, NY 13032, USA
 Phone: 315-697-JUMO
 1-800-554-JUMO
 Fax: 315-697-5867
 E-mail: info@jumo.us
 Internet: www.jumo.us



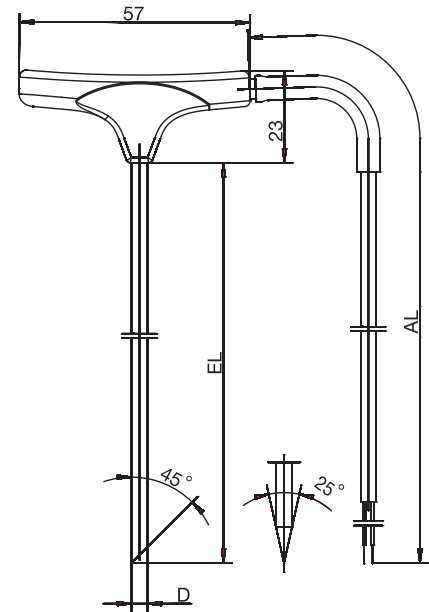
Dimensions



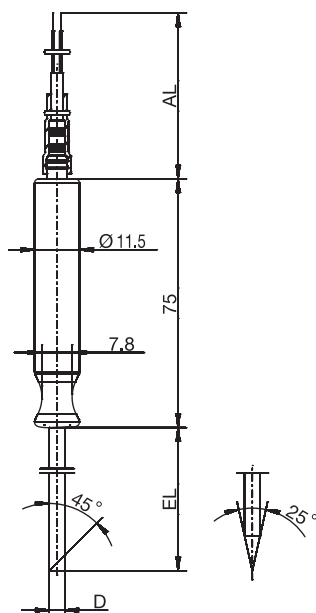
Type 901350/33



Type 901350/63



Type 901350/83



Type 901350/84

JUMO GmbH & Co. KG
 Delivery address: Mackenrodtstraße 14,
 36039 Fulda, Germany
 Postal address: 36035 Fulda, Germany
 Phone: +49 661 6003-0
 Fax: +49 661 6003-607
 E-mail: mail@jumo.net
 Internet: www.jumo.net

JUMO Instrument Co. Ltd.
 JUMO House
 Temple Bank, Riverway
 Harlow - Essex CM20 2DY, UK
 Phone: +44 1279 63 55 33
 Fax: +44 1279 63 52 62
 E-mail: sales@jumo.co.uk
 Internet: www.jumo.co.uk

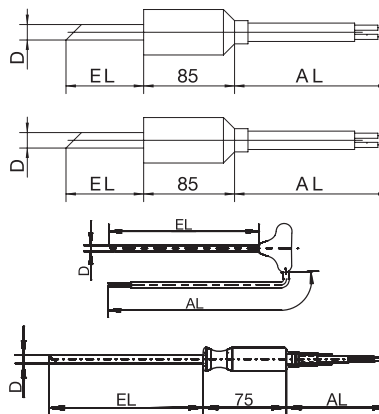
JUMO Process Control, Inc.
 8 Technology Boulevard
 Canastota, NY 13032, USA
 Phone: 315-697-JUMO
 1-800-554-JUMO
 Fax: 315-697-5867
 E-mail: info@jumo.us
 Internet: www.jumo.us



Order details: Thermocouple insertion probes

(1) Basic type

901350/33	with multiple measurement points, PTFE handle Ø 12mm, and PTFE cable
901350/63	with multiple measurement points, PTFE handle Ø 15mm, and PTFE cable
901350/83	with multiple measurement points, PEEK handle, and PTFE cable
901350/84	with multiple measurement points, PEEK handle, and PTFE cable



x x x x	(2) Operating temperature range in °C 261 -100 ... +260°C
x x x x	(3) Measurement insert (distributed along probe length EL) 3043 3x NiCr-Ni Type K 4043 4x NiCr-Ni Type K 5043 5x NiCr-Ni Type K (only in combination with probe diameter 4.5mm)
x x x x	(4) Probe diameter D in mm 4 Ø 4mm 4,5 Ø 4.5mm
x x x x	(5) Insertion length EL in mm 100 100mm (Standard) 150 150mm 200 200mm
x x x x	(6) Insertion tip 2 Concentric, angled at approx. 25° 3 Oblique, angled at 45° (standard)
x x x x	(7) Cable termination 03 stripped wires 11 Ferrules per DIN 46 228 Part 4 (Standard) 80 Multi-pole connector (specify type in plain text)
x x x x	(8) Cable length AL in mm (500 ≤ AL ≤ 500000) 4000 4000mm (Standard) ... Please specify in plain text (500mm steps)

Order code	(1)	(2)	(3)	(4)	(5)	(6)	(7)	(8)
Order example	901350/33	- 261	- 3043	- 4	- 100	- 2	- 03	- 4000