

JUMO GmbH & Co. KG
 Delivery address: Mackenrodtstraße 14,
 36039 Fulda, Germany
 Postal address: 36035 Fulda, Germany
 Phone: +49 661 6003-0
 Fax: +49 661 6003-607
 E-mail: mail@jumo.net
 Internet: www.jumo.net

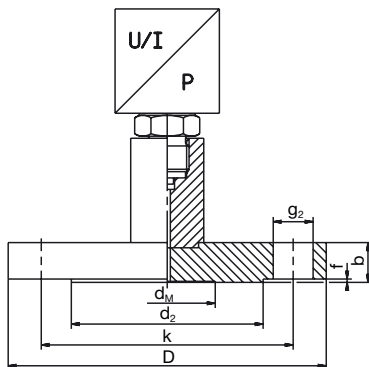
JUMO Instrument Co. Ltd.
 JUMO House
 Temple Bank, Riverway
 Harlow - Essex CM20 2DY, UK
 Phone: +44 1279 63 55 33
 Fax: +44 1279 63 52 62
 E-mail: sales@jumo.co.uk
 Internet: www.jumo.co.uk

JUMO Process Control, Inc.
 8 Technology Boulevard
 Canastota, NY 13032, USA
 Phone: 315-697-JUMO
 1-800-554-JUMO
 Fax: 315-697-5867
 E-mail: info@jumo.us
 Internet: www.jumo.us



Pressure separator with flange connection to ANSI B 16.5 with sealing lip Form RF Type 409786

Diaphragm pressure separator Type 409786/00-...



Technical data

Process connection	Nominal pressure psi	Recommended min. pressure range bar	Weight (without meas. device) kg	Dimensions [mm]						
				D	d ₂	d _M	f	g ₂	k	b
DN2"	PN150	0 - 1	2.60	152	91.9	52	1.6	4 x Ø20	120.7	19.5
	PN300		3.40	165				8 x Ø20	127	22.5
	PN600		4.30	165			6.4	8 x Ø20	127	32
	PN1500		10.30	216				8 x Ø26	163.1	44.5
	PN2500		15.80	235				8 x Ø29	171.5	57.5
DN3"	PN150	0 - 0.6	5.10	191	127	80	1.6	4 x Ø20	152.4	24
	PN300		7.00	210				8 x Ø23	168.1	28.5
	PN600		8.60	210			6.4	8 x Ø23	168.1	38.5
	PN900		13.30	241				8 x Ø26	190.5	44.5
	PN1500		19.30	267				8 x Ø32	203.2	54.5
	PN2500		35.00	305				8 x Ø36	228.6	73
DN4"	PN150	0 - 0.6	7.20	229	157.2	80	1.6	8 x Ø20	190.5	24
	PN300		11.70	254				8 x Ø23	200.2	32
	PN400		13.90	254			6.4	8 x Ø26	200.2	41.5
	PN600		17.50	273				8 x Ø26	215.9	44.5
	PN900		27.10	292				8 x Ø32	234.9	51

JUMO GmbH & Co. KG

Delivery address: Mackenrodtstraße 14,
36039 Fulda, Germany
Postal address: 36035 Fulda, Germany
Phone: +49 661 6003-0
Fax: +49 661 6003-607
E-mail: mail@jumo.net
lr

JUMO Instrument Co. Ltd.

JUMO House
Temple Bank, Riverway
Harlow - Essex CM20 2DY, UK
Phone: +44 1279 63 55 33
Fax: +44 1279 63 52 62
E-mail: sales@jumo.co.uk
Internet: www.jumo.co.uk

JUMO Process Control, Inc.

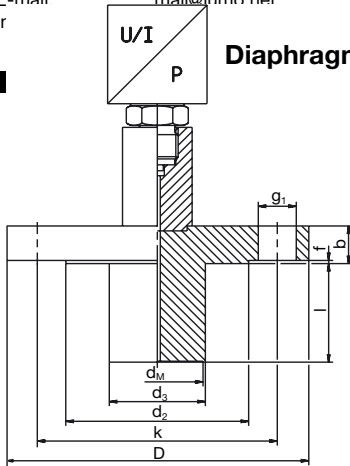
8 Technology Boulevard
Canastota, NY 13032, USA
Phone: 315-697-JUMO
1-800-554-JUMO
Fax: 315-697-5867
E-mail: info@jumo.us
Internet: www.jumo.us



Diaphragm pressure separator Type 409786/19...

Data Sheet 40.9786

Page 2/3



Technical data

Process connection	Nominal pressure psi	Recommended min. pressure range bar	Weight (without meas. device) kg	Dimensions [mm]									
				D	d ₂	d ₃	d _M	f	g ₂	k	b	l	
DN2"	PN300	0 - 0.1	3.84	165	91.9	48.3	45	1.6	8 x Ø20	127	22.5	50	
			4.16									100	
			4.47									150	
			4.77									200	
DN3"	PN150	0 - 0.6	6.01	191	127	76	72	1.6	4 x Ø20	152.4	24	50	
			6.56									100	
			7.12									150	
			7.67									200	
	PN300		210	7.90	210	157.2	94	80	1.6	8 x Ø23	168.1	28.5	50
				8.46									100
				9.02									150
				9.57									200
DN4"	PN150	0 - 0.6	8.63	229	157.2	94	80	1.6	8 x Ø20	190.5	24	50	
			9.90									100	
			11.15									150	
			12.40									200	
	PN300		254	13.13	254	157.2	94	80	1.6	8 x Ø23	200.1	32	50
				14.40									100
				15.65									150
				16.91									200

JUMO GmbH & Co. KG

Delivery address: Mackenrodtstraße 14,
36039 Fulda, Germany
Postal address: 36035 Fulda, Germany
Phone: +49 661 6003-0
Fax: +49 661 6003-607
E-mail: mail@jumo.net
Internet: www.jumo.net

JUMO Instrument Co. Ltd.

JUMO House
Temple Bank, Riverway
Harlow - Essex CM20 2DY, UK
Phone: +44 1279 63 55 33
Fax: +44 1279 63 52 62
E-mail: sales@jumo.co.uk
Internet: www.jumo.co.uk

JUMO Process Control, Inc.

8 Technology Boulevard
Canastota, NY 13032, USA
Phone: 315-697-JUMO
1-800-554-JUMO
Fax: 315-697-5867
E-mail: info@jumo.us
Internet: www.jumo.us

**Order details**

	(1) Basic type
409786	pressure separator with flange connection to ANSI B 16.5, with sealing lip Form RF
	(2) Basic type extension
00	no tube
19	with tube
	(3) Process connection
695	DN2"
696	DN3"
697	DN4"
	(4) Nominal pressure in psi
0150	PN150
0300	PN300
0400	PN400
0600	PN600
0900	PN900
1500	PN1500
2500	PN2500
	(5) Tube length
000	no tube
050	tube 50 mm long
100	tube 100 mm long
150	tube 150 mm long
200	tube 200 mm long
	(6) Material
20	st. steel
99	special material ¹
	(7) Filling liquid
1	silicone oil
2	halogenized oil
3	vegetable oil
	(8) Capillary
0000	no capillary
0001	with cooling device
1000	1.0 m capillary
1500	1.5 m capillary
2000	2.0 m capillary
3000	3.0 m capillary
5000	5.0 m capillary

	(1)	(2)	(3)	(4)	(5)	(6)	(7)	(8)
Order code	<input type="text"/>	/ <input type="text"/>	- <input type="text"/>	- <input type="text"/>	- <input type="text"/>	- <input type="text"/>	- <input type="text"/>	- <input type="text"/>
Order example	409786	/ 00	- 695	- 0300	- 000	- 20	- 3	- 1500

¹ please specify in plain text when ordering