

JUMO GmbH & Co. KG
 Delivery address: Mackenrodtstraße 14
 36039 Fulda, Germany
 Postal address: 36035 Fulda, Germany
 Phone: +49 661 6003-0
 Fax: +49 661 6003-607
 E-mail: mail@jumo.net
 Internet: www.jumo.net

JUMO Instrument Co. Ltd.
 JUMO House
 Temple Bank, Riverway
 Harlow, Essex CM20 2DY, UK
 Phone: +44 1279 635533
 Fax: +44 1279 635262
 E-mail: sales@jumo.co.uk
 Internet: www.jumo.co.uk

JUMO Process Control, Inc.
 6733 Myers Road
 East Syracuse, NY 13057, USA
 Phone: 315-437-5866
 1-800-554-5866
 Fax: 315-437-5860
 E-mail: info.us@jumo.net
 Internet: www.jumousa.com



Melt Pressure Transmitter

General application

Type 4ADM-35 pressure transmitter are used in plastics processing, process engineering and chemical plant. The pressure transmitter operates on the strain gauge measurement principle.

Technical data

Reference conditions	As per DIN 16086 and IEC 770/5.3
Measuring ranges	See order details
Overload limit	
Up to 1000 bar	1.5 × full scale
Up to 1000 bar	1.5 × full scale
Parts in contact with medium	
Standard	Stainless steel, mat. ref. 1.4545/1.4541
Optionally	Inconel® 2.4668 or Hastelloy® 2.4610
Measuring head	Aluminium, anodized blue
Output	See order details
Ambient temperature effect	on diaphragm, deviation from 200 °C calibration temperature
Zero point	±0.02 % pro K
Span	±0.02 % pro K
Ambient temperature effect	on measuring head, deviation vom 20 °C
Zero point	±0.04 % pro K
Zero point deviation	±3 % of measuring range
Deviation from characteristic (with tolerance band setting)	1 % from 10 % of measuring range
Repeatability	< 0.15 % of full scale
Voltage supply	
For output 432 or 433	DC 5 to 10 V
For output 405 or 450	DC 11,5 to 30 V
Calibration resistance	Built-in for 80 % of full-scale value
Permissible temperature of medium	
On diaphragm	20 to 400 °C
With filling medium 18 (NAK)	20 to 480 °C
On measuring head	≤ 100 °C
Permissible ambient temperature	100 °C max.
Case	Aluminium
Process connection	See order details
Tightening torque	30 Nm max.
Electrical connection	
For output 405, 432 or 433	Bendix round plug connector
For output 450	M12 × 1/5-pole
Insulation resistance	10000 MΩ bei 100 V Prüfspannung
Protection type	IP64 according to EN 60529
Nominal position	Unrestricted
Weight	Approx. 500 g



Type 404450 - 4ADM-35

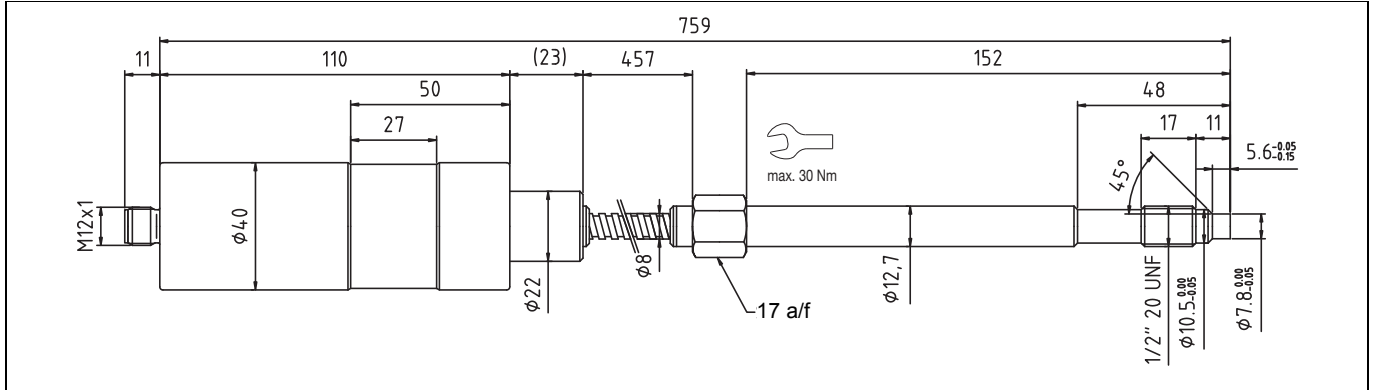
JUMO GmbH & Co. KG
 Delivery address: Mackenrodtstraße 14
 36039 Fulda, Germany
 Postal address: 36035 Fulda, Germany
 Phone: +49 661 6003-0
 Fax: +49 661 6003-607
 E-mail: mail@jumo.net
 Internet: www.jumo.net

JUMO Instrument Co. Ltd.
 JUMO House
 Temple Bank, Riverway
 Harlow, Essex CM20 2DY, UK
 Phone: +44 1279 635533
 Fax: +44 1279 635262
 E-mail: sales@jumo.co.uk
 Internet: www.jumo.co.uk

JUMO Process Control, Inc.
 6733 Myers Road
 East Syracuse, NY 13057, USA
 Phone: 315-437-5866
 1-800-554-5866
 Fax: 315-437-5860
 E-mail: info.us@jumo.net
 Internet: www.jumousa.com



Type 404450/031-xxx-450-xxx-xx-xx-27-36/000



D ₁	D ₂	D ₃	D ₄	D ₅	A	B	C	a/f
1/2" - 20 UNF 2A	$\phi 7.8^{+0/0.05}$	$\phi 10.5^{+0/0.05}$	$\phi 10.5^{+0/0.5}$	$\phi 12.7$	$5.6^{+0/-0.1}$	10.8	17	17
M18 x 1.5	$\phi 10^{+0/0.05}$	$\phi 16^{+0/0.1}$	$\phi 16^{+0/0.5}$	$\phi 18$	$6^{+0/-0.25}$	14	20	19

Bore for transducer

	d ₁	d ₂	d ₃	d ₄	a	b	c
	1/2" - 20 UNF 2A	$\phi 7.92^{+0.05/-0.0}$	$\phi 10.69^{+0.1/-0.0}$	$\phi 13$	5.7	3.2 max.	19
	M18 x 1.5	$\phi 10.1^{+0.05/-0.0}$	$\phi 16.1^{+0.1/-0.0}$	$\phi 20$	6.15	4 max.	25

Insert socket

d ₁	d ₂	Part no.	d ₃	d ₄	d ₅	d _K	a	l
M16	1/2" - 20 UNF 2A	00310280	$\phi 10^{+0.05/-0.1}$	$\phi 18$	$\phi 10$	$\phi 18$	6	25
M24	M18 x 1.5	00310281	$\phi 14^{+0.05/-0.1}$	$\phi 26$	$\phi 14$	$\phi 26$	10	35

JUMO GmbH & Co. KG
 Delivery address: Mackenrodtstraße 14
 36039 Fulda, Germany
 Postal address: 36035 Fulda, Germany
 Phone: +49 661 6003-0
 Fax: +49 661 6003-607
 E-mail: mail@jumo.net
 Internet: www.jumo.net

JUMO Instrument Co. Ltd.
 JUMO House
 Temple Bank, Riverway
 Harlow, Essex CM20 2DY, UK
 Phone: +44 1279 635533
 Fax: +44 1279 635262
 E-mail: sales@jumo.co.uk
 Internet: www.jumo.co.uk

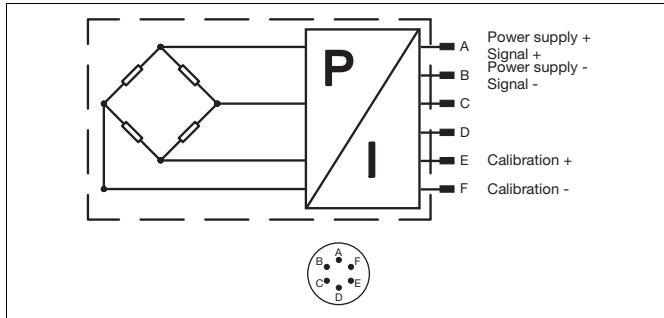
JUMO Process Control, Inc.
 6733 Myers Road
 East Syracuse, NY 13057, USA
 Phone: 315-437-5866
 1-800-554-5866
 Fax: 315-437-5860
 E-mail: info.us@jumo.net
 Internet: www.jumousa.com



Electrical connection

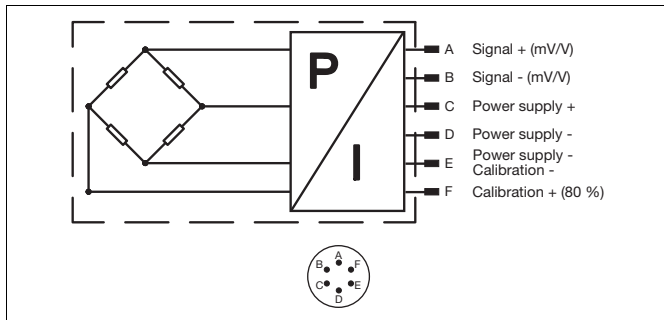
Pressure transmitter

with output 405 (4 to 20 mA, two-wire)

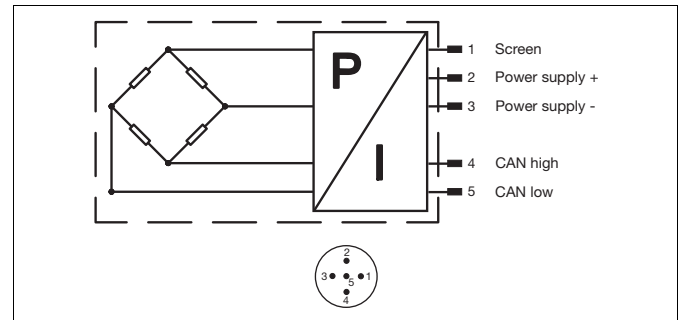


Pressure transducer

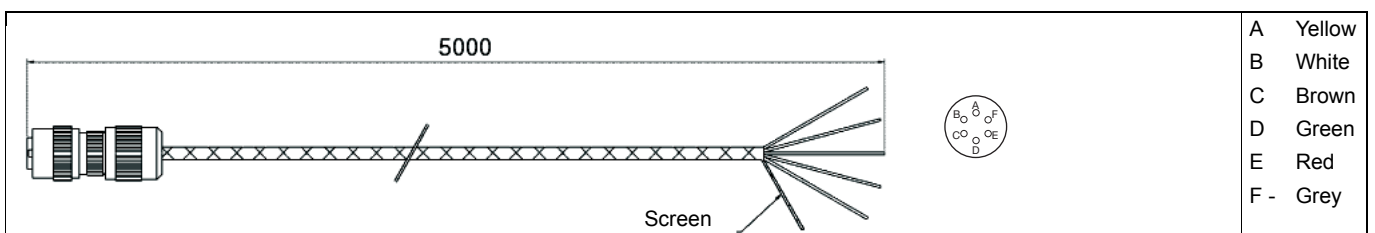
with output 432 oder 433 (2 mV/V or 3.3 mV/V)



with output 450 (CANopen)



Connection cable



JUMO GmbH & Co. KG

Delivery address: Mackenrodtstraße 14
36039 Fulda, Germany
Postal address: 36035 Fulda, Germany
Phone: +49 661 6003-0
Fax: +49 661 6003-607
E-mail: mail@jumo.net
Internet: www.jumo.net

JUMO Instrument Co. Ltd.

JUMO House
Temple Bank, Riverway
Harlow, Essex CM20 2DY, UK
Phone: +44 1279 635533
Fax: +44 1279 635262
E-mail: sales@jumo.co.uk
Internet: www.jumo.co.uk

JUMO Process Control, Inc.

6733 Myers Road
East Syracuse, NY 13057, USA
Phone: 315-437-5866
1-800-554-5866
Fax: 315-437-5860
E-mail: info.us@jumo.net
Internet: www.jumousa.com

**Order details**

(1) Basic type	
404450/000	Melt pressure transmitter JUMO 4ADM-35 with rigid stem
404450/031	Melt pressure transmitter JUMO 4ADM-35 with capillary
404450/999	Melt pressure transmitter JUMO 4ADM-35, special version
(2) Input	
464	0 to 100 bar relative pressure
467	0 to 400 bar relative pressure
468	0 to 600 bar relative pressure
469	0 to 1000 bar relative pressure ^a
471	0 to 2000 bar relative pressure ^a
510	0 to 50 bar relative pressure
511	0 to 200 bar relative pressure
512	0 to 800 bar relative pressure ^a
999	Special measuring range
(3) Output	
405	4 to 20 mA, two-wire
432	2 mV/V
433	3.33 mV/V
450	CANopen
(4) Process connection	
535	M18 × 1.5 DIN 3852-1
592	1/2" - 20 UNF 2A
(5) Material of diaphragm	
20	Stainless steel 1.4545
81	Inconel [®] 2.4668
82	Hastelloy [®] 2.4610
(6) Filling medium	
17	Mercury Hg
18	NAK (mercury-free filling) ^b
(7) Power supply	
15	DC 10 V
27	DC 11.5 to 30 V ^c
(9) Electrical connection	
35	Bendix round plug connector
36	M12 × 1 ^d
69	Bendix round plug connector with coupling socket
70	Bendix round plug connector with coupling socket, including 5 m cable
(10) Extra codes	
000	None
620	Deviation from characteristic: 0.5 % of measuring range

^a Not with filling medium 18^b Only with diaphragm material 81^c Only for output 405 or 450^d Only for output 450

Order code	(1)	(2)	(3)	(4)	(5)	(6)	(7)	(8)	(9)								
Order example	404450/000	-	468	-	432	-	592	-	20	-	17	-	15	-	35	/	000

JUMO GmbH & Co. KG

Delivery address: Mackenrodtstraße 14
 36039 Fulda, Germany
 Postal address: 36035 Fulda, Germany
 Phone: +49 661 6003-0
 Fax: +49 661 6003-607
 E-mail: mail@jumo.net
 Internet: www.jumo.net

JUMO Instrument Co. Ltd.

JUMO House
 Temple Bank, Riverway
 Harlow, Essex CM20 2DY, UK
 Phone: +44 1279 635533
 Fax: +44 1279 635262
 E-mail: sales@jumo.co.uk
 Internet: www.jumo.co.uk

JUMO Process Control, Inc.

6733 Myers Road
 East Syracuse, NY 13057, USA
 Phone: 315-437-5866
 1-800-554-5866
 Fax: 315-437-5860
 E-mail: info.us@jumo.net
 Internet: www.jumousa.com

**Accessories**

Designation	Sales no.
Cleaning tool for location bore, M18 × 1,5 thread	00307887
Cleaning tool for location bore, 1/2" - 20 UNF 2A	00307891
Insert socket 1/2" - 20 UNF	00310280
Insert socket M18 × 1.5	00310281
Instrument amplifier with LED indication and contracts	00456229