



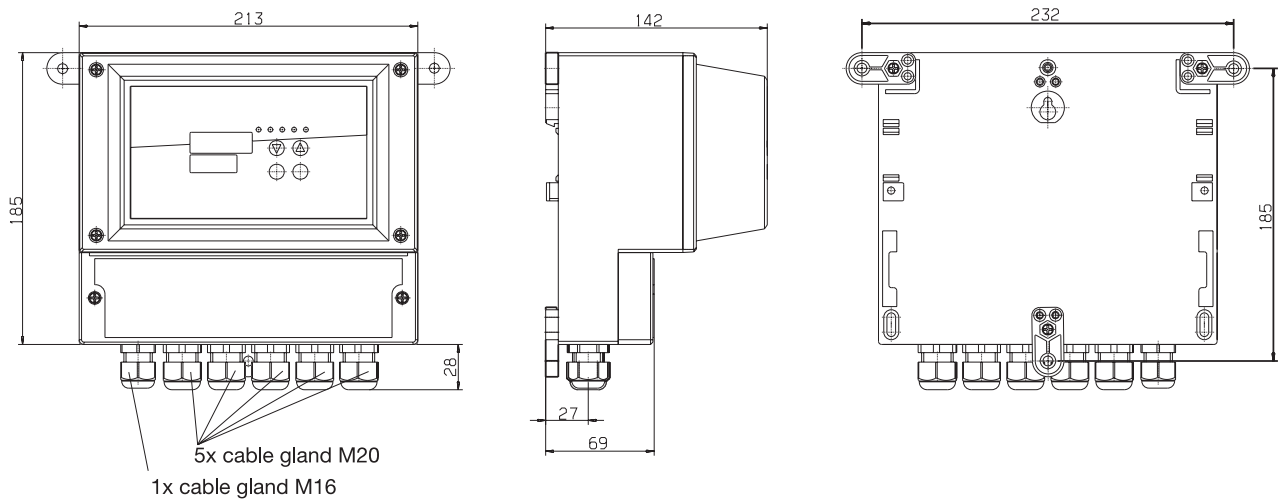
**Wall-mounting  
Housing  
extra code / 640  
for Type 202550**

**B 20.2550.0.2  
Operating Manual**

12.04/00437427

# Mounting and electrical connection

## Dimensions

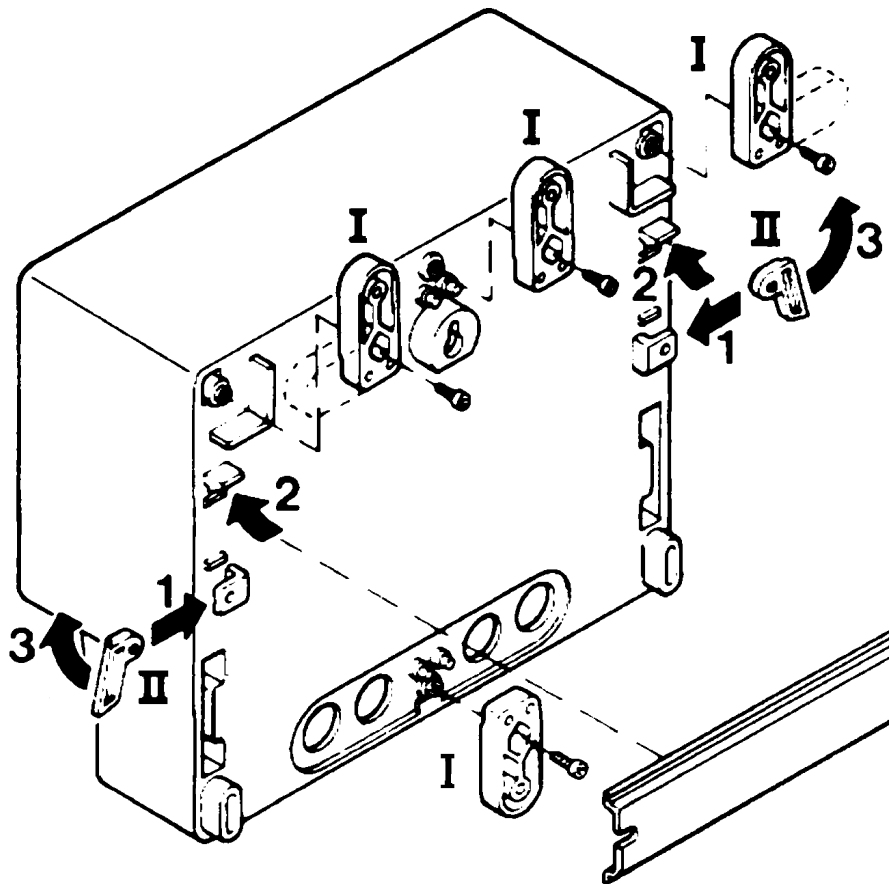


## Mounting options

The housing is suitable both for wall-mounting ( I ) and mounting on a DIN rail ( II ) as per EN 50 022 (35 x 7.5 mm).

For mounting on a DIN rail, plastic brackets are supplied with the housing.

**Note:** Only use original parts ( I / II ) for mounting!



# Mounting and electrical connection

## Electrical connection



It is essential to observe the safety notes in the corresponding Operating Manual B 20.2550.0.1, Chapter 7.1 “Electrical connection”.

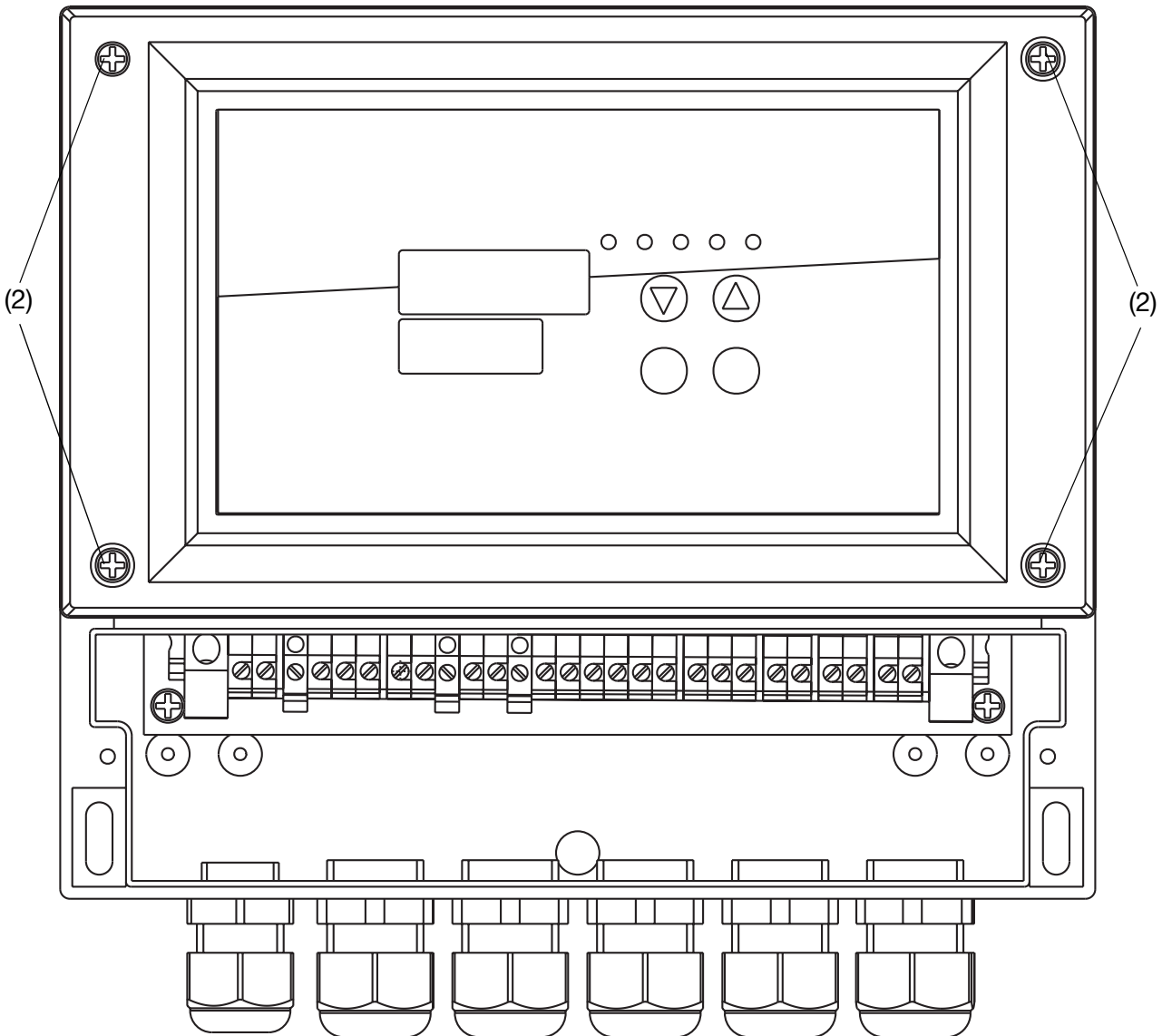


Only unscrew the bottom cover of the housing.

If you remove the screws (2) you will endanger your rights under the instrument warranty!

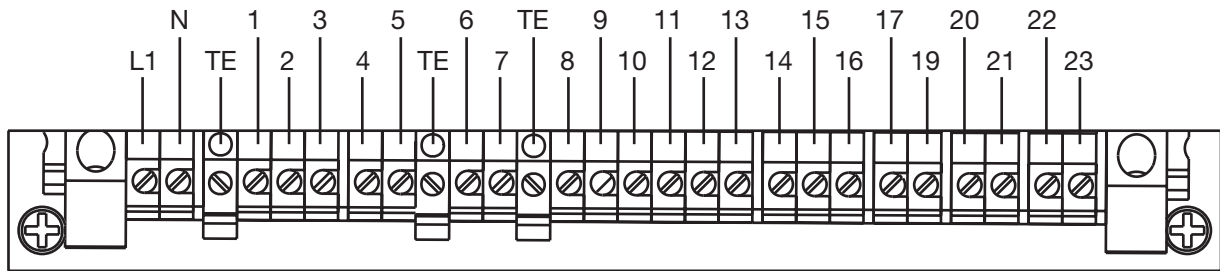
\* Only unscrew the bottom cover of the housing.

The electrical connection is made at the terminal strip located underneath.



# Mounting and electrical connection

## Terminal designation



## Terminal assignment

Outputs		Terminal assignment	Symbol
Relay 1 (K1) Status indication LED K1	1	23 common 22 n.o. (make)	
Relay 2 (K2) Status indication LED K2	2	21 common 20 n.o. (make)	
Relay 3 (K3) Status indication LED K3 <b>or</b> supply voltage for 2-wire transmitter <b>or</b> process value output	3	16 n.c. (break) 15 common 14 n.o. (make)  14 - 15 +  14 + 15 -	
Logic output 1 (K4) Status indication LED K4	4	19 - 17 +	

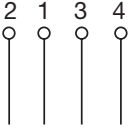
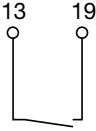
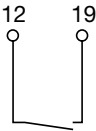
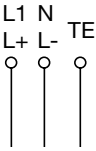
# Mounting and electrical connection

Outputs		Terminal assignment	Symbol
Relay 4 (K5) no status indication <b>or</b> supply voltage for 2-wire transmitter <b>or</b> process value output (electrically isolated)	5	3 n.c. (break) 2 common 1 n.o. (make)	
		2 - 3 +	
		1 + 2 -	

Measurement inputs		Terminal assignment	Symbol
Input for standard signal I <sub>x</sub> (0(4) – 20 mA)		7 - 8 +	
Resistance thermometer in 3-wire circuit		9 10 11	
Resistance thermometer in 2-wire circuit		9 10 11	

Inputs/outputs		Terminal assignment	Symbol
Serial interface RS422 (option)	RxD	5 RxD +      receive data 4 RxD -	
		TxD	
	GND	3 GND	
Serial interface RS485 (option)	+	2 TxD/RxD +	
	-	1 TxD/RxD -	
	GND	3 GND	

# Mounting and electrical connection

Inputs/outputs		Terminal assignment		Symbol
Serial interface Profibus-DP (option)	VP	4	supply voltage, positive (P5V)	
	RxD/TxD-P	2	receive/transmit data, positive, B conductor	
	RxD/TxD-N	1	receive/transmit data, negative, A conductor	
	DGND	3	ground for data transmission	
Logic input 1		13 19		
Logic input 2		12 19		
Supply voltage see nameplate	AC/ DC	AC: L1 phase N neutral TE technical earth	DC: L + L -	

---

