

JUMO GmbH & Co. KG
 Delivery address: Mackenrodtstraße 14,
 36039 Fulda, Germany
 Postal address: 36035 Fulda, Germany
 Phone: +49 661 6003-0
 Fax: +49 661 6003-607
 E-mail: mail@jumo.net
 Internet: www.jumo.net

JUMO Instrument Co. Ltd.
 JUMO House
 Temple Bank, Riverway
 Harlow - Essex CM20 2DY, UK
 Phone: +44 1279 63 55 33
 Fax: +44 1279 63 52 62
 E-mail: sales@jumo.co.uk
 Internet: www.jumo.co.uk

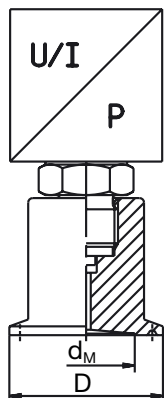
JUMO Process Control, Inc.
 8 Technology Boulevard
 Canastota, NY 13032, USA
 Phone: 315-697-JUMO
 1-800-554-JUMO
 Fax: 315-697-5867
 E-mail: info@jumo.us
 Internet: www.jumo.us



Pressure separator with clamp connection

Type 409774

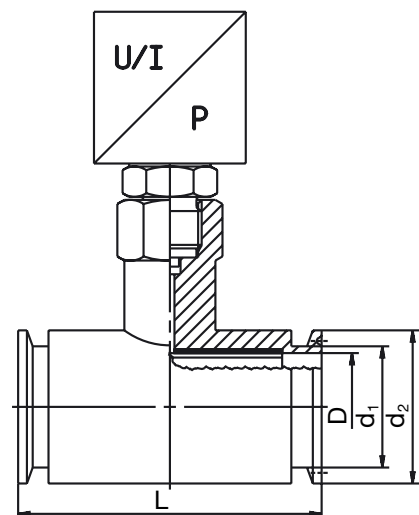
Diaphragm pressure separator Type 409774/17-...



Technical data

Process connection	Nominal pressure bar	Recommended min. pressure range bar	Temperature coefficient mbar/10°C	Weight (without meas. device) kg	Dimensions [mm]	
					d _M	D
DN 1½"	PN40	above 0.4	+12	0.32	34	50.5
DN 2"		above 0.1	+3	0.70	45	64

Pipe pressure separator Type 409774/18-...



Technical data

Process connection	Nominal pressure bar	Recommended min. pressure range bar	Temperature coefficient mbar/10°C	Weight (without meas. device) kg	Dimensions [mm]			
					L	D	d ₁	d ₂
DN 1½"	PN40	above 0.4	+12	0.99	126	35.5	40	50.5
DN 2"		above 0.1	+3	1.69	100	48.6	55	64

JUMO GmbH & Co. KG

Delivery address: Mackenrodtstraße 14,
36039 Fulda, Germany
Postal address: 36035 Fulda, Germany
Phone: +49 661 6003-0
Fax: +49 661 6003-607
E-mail: mail@jumo.net
Internet: www.jumo.net

JUMO Instrument Co. Ltd.

JUMO House
Temple Bank, Riverway
Harlow - Essex CM20 2DY, UK
Phone: +44 1279 63 55 33
Fax: +44 1279 63 52 62
E-mail: sales@jumo.co.uk
Internet: www.jumo.co.uk

JUMO Process Control, Inc.

8 Technology Boulevard
Canastota, NY 13032, USA
Phone: 315-697-JUMO
1-800-554-JUMO
Fax: 315-697-5867
E-mail: info@jumo.us
Internet: www.jumo.us

**Order details**

- (1) Basic type**
409774 pressure separator with clamp connection
- (2) Basic type extension**
17 diaphragm pressure separator
18 pipe pressure separator
- (3) Process connection**
615 DN1½"
616 DN2"
- (4) Nominal pressure in bar**
040 PN40
- (5) Material**
20 st. steel
99 special material¹
- (6) Filling liquid**
1 silicone oil
2 halogenized filling oil
3 vegetable oil
- (7) Capillary**
0000 no capillary
0001 with cooling device
1000 1.0 m capillary
1500 1.5 m capillary
2000 2.0 m capillary
3000 3.0 m capillary
5000 5.0 m capillary

	(1)	(2)	(3)	(4)	(5)	(6)	(7)
Order code	<input type="text"/>	- <input type="text"/>	<input type="text"/>	<input type="text"/>	<input type="text"/>	<input type="text"/>	<input type="text"/>
Order example	409774	- 18	616	040	20	3	1500

¹ please specify in plain text when ordering