

JUMO

More than **sensors + automation**

JUMO MIDAS C18 SW OEM pressure transmitter – Seawater



Highly-resistant titanium ensures amazing safety

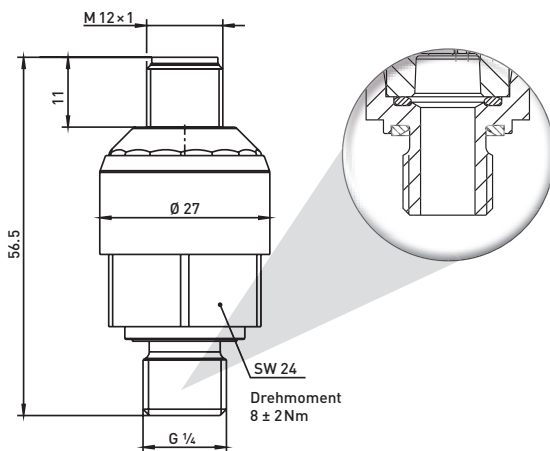
- The use of titanium and aluminium oxide ceramics provide high operational safety for use in organic solutions and solutions containing chloride
- Compact and sturdy design for a long operating life
- 100% final inspection with a fully automated measuring and calibrating system
- 40% lighter than comparable stainless steel version

Type 401012



Dimensions

JUMO MIDAS C18 SW (type 401012)



Made of highly-resistant titanium to ensure amazing safety

The foundation of the pressure transmitter is a ceramic-based piezoresistive pressure sensor that exhibits excellent long-term stability of 0.2% of the end value. Each individual pressure transmitter runs through a fully automated pressure and calibrating system and is subjected to a final 100% final inspection. The boards and sensor are encapsulated in the standard version to protect the measuring instrument against failure due to vibrations and extreme temperature changes which could otherwise result in condensation and moisture.

Outstanding resistance to corrosion is achieved due to the use of titanium and aluminium oxide ceramic as materials. In addition to these materials, the compact and sturdy design allows the use in such applications areas as desalination plants, reverse osmosis systems, or wastewater systems.

General data

JUMO MIDAS C18 SW

Measuring ranges	1.6 to 100 bar
Pressure type	Relative pressure
Measuring system	Thick film on ceramic body
Linearity	0.25% to 0.3% of the measuring span
Outputs	4 to 20 mA, DC 0 to 10 V
Temperatures of media to be measured	-20 to +125 °C
Protection type	IP65/67
Electrical connections	Terminal box, round plug M12 x 1, fixed cable
Pressure connection	G 1/4 DIN EN 837 with pressure channel Ø 8 mm

Applications

- Salt and seawater
- Pure and ultra-pure water
- Gray water and wastewater