

**JUMO GmbH & Co. KG**  
Delivery address: Mackenrodtstraße 14  
36039 Fulda, Germany  
Postal address: 36035 Fulda, Germany  
Phone: +49 661 6003-0  
Fax: +49 661 6003-607  
Email: mail@jumo.net  
Internet: www.jumo.net

**JUMO Instrument Co. Ltd.**  
JUMO House  
Temple Bank, Riverway  
Harlow, Essex CM 20 2DY, UK  
Phone: +44 1279 63 55 33  
Fax: +44 1279 62 50 29  
Email: sales@jumo.co.uk  
Internet: www.jumo.co.uk

**JUMO Process Control, Inc.**  
6733 Myers Road  
East Syracuse, NY 13057, USA  
Phone: +1 315 437 5866  
Fax: +1 315 437 5860  
Email: info.us@jumo.net  
Internet: www.jumousa.com



# JUMO tecLine HD pH/Rd

## pH and redox combination electrodes, digital with reusable JUMO digiLine electronics or analog

Series 201021 — pH electrodes  
Series 201026 — redox electrodes

### Brief description

Premium materials and components make JUMO tecLine HD electrodes particularly suitable for the most demanding applications in process and industrial measurement technology. They are designed as combination electrodes (glass or metal electrodes and reference electrodes in one shaft). Depending on the model, a Pt1000 temperature probe can be optionally integrated.

An optimised PTFE ring diaphragm enables a quick response time while at the same time being largely impervious to greater pollution loads or oily/fatty process water and wastewater. Alternatively, a variant with a pinhole diaphragm is available as the optimal solution for processes with a high solids content (e.g. wastewater with sand particles or media that is subject to precipitation and/or crystallization reactions).

JUMO tecLine HD electrodes are state-of-the-art for modern pH and redox electrodes. Each top-quality electrode is individually tested and supplied with a calibration certificate. Modern production facilities ensure consistent characteristics.

All standard electrodes are manufactured using physiologically safe and FDA-listed materials. They feature lead-free shaft glass and therefore comply with the RoHS-2 directive.



Type 201021/10...

### Typical areas of application

#### Chemical industry:

Process water, high process pressures up to 13 bar, broad temperature range up to max. 135 °C, and wide pH range from pH 0 to pH 14; suspensions, coatings and media with solid particles.

#### Industrial wastewater engineering:

Process wastewater, wastewater with highly contaminating media (presence of oil or electrode poisons)

#### Galvanic:

Process water, media with electrode poisons (metal ions, complexing agents)

#### Power plants and waste incineration plants (flue gas scrubbing):

Wide pH range of pH 0 to pH 14, presence of fine ash particles

#### Sugar industry:

Consistent high temperature, presence of electrode poisons (e.g. sulfides)

### The advantages of electrodes with combined JUMO digiLine electronics

- Fail-safe digital data transfer for optimal process monitoring
- Modular system: for single measuring points and for establishing electrode networks
- Plug and Play function when connected to transmitters from the JUMO AQUIS touch series. This facilitates the replacement of electrodes or the brief exchange of electrodes for calibration purposes.
- Also suitable for use with the JUMO mTRON T automation system
- Version with 4 to 20 mA output for integration into existing systems
- digiLine electronics can continue to be used even when the electrode becomes worn
- Easy and secure configuration in the lab using USB interface and JUMO DSM tool (software)

### Special features

- Low-maintenance thanks to dirt-repellant PTFE ring diaphragm with polymerized highly elastic gel
- Alternatively with a pinhole diaphragm for suspensions, coatings and media with solid particles
- Designed for use at a continually high process temperature of up to max. 135 °C<sup>1</sup>
- For process pressures of up to 13 bar
- Pt1000 temperature probe can be integrated as an option
- With salt reserve to increase service life in media with low conductivity
- Long service life with presence of electrode poisons thanks to double-chamber version
- Redox versions with platinum or gold tip up to ±1500 mV
- Supplied with quality certificate

<sup>1</sup> Electrodes with a PTFE diaphragm: 135 °C  
Electrodes with a pinhole diaphragm: 110 °C

**JUMO GmbH & Co. KG**  
 Delivery address: Mackenrodtstraße 14  
 36039 Fulda, Germany  
 Postal address: 36035 Fulda, Germany  
 Phone: +49 661 6003-0  
 Fax: +49 661 6003-607  
 Email: mail@jumo.net  
 Internet: www.jumo.net

**JUMO Instrument Co. Ltd.**  
 JUMO House  
 Temple Bank, Riverway  
 Harlow, Essex CM 20 2DY, UK  
 Phone: +44 1279 63 55 33  
 Fax: +44 1279 62 50 29  
 Email: sales@jumo.co.uk  
 Internet: www.jumo.co.uk

**JUMO Process Control, Inc.**  
 6733 Myers Road  
 East Syracuse, NY 13057, USA  
 Phone: +1 315 437 5866  
 Fax: +1 315 437 5860  
 Email: info.us@jumo.net  
 Internet: www.jumousa.com



## Technical data

### Specifications

Measurands	pH value or redox potential Temperature (optional)
Measuring ranges	
pH	0 to 14 pH
Redox potential	±1500 mV
Temperature	0 to max. 135 °C on versions with a PTFE diaphragm 0 to max. 110 °C on versions with a pinhole diaphragm

### Environmental influences

Storage temperature	-5 to +30 °C
Protection type	IP66 and IP 67

### Process conditions

	Versions with a PTFE diaphragm <sup>a</sup>	Versions with a pinhole diaphragm
Process temperature	0 to +135 °C	0 to +110 °C
Process pressure	13 bar	
Pressure-temperature diagram		
Recommended minimum conductivity	50 µS/cm	500 µS/cm

<sup>a</sup> Pressure/temperature diagrams for the electrode in conjunction with electrode holders ⇒ page 9.

### Design

Process connection	Pg13.5
Temperature sensor	Pt1000 (class A)
Plug heads	N screw head (S8), Pg13.5 thread VarioPin (VP) plug head, Pg13.5 thread
Reference system	Pressure-compensated <b>double-chamber system</b> , silver/silver chloride (Ag/AgCl) cartridge-style conduction system, highly elastic gel (AgCl-free)
Diaphragm	
Exterior	PTFE ring diaphragm or pinhole diaphragm
Interior	Ceramic diaphragm <sup>a</sup>
Glass membrane	Spherical
Membrane glass	High-temperature (HT) glass, high alkaliresistant
Materials	See illustrations in chapter "Dimensions", page 4

<sup>a</sup> In double chamber

**JUMO GmbH & Co. KG**  
 Delivery address: Mackenrodtstraße 14  
 36039 Fulda, Germany  
 Postal address: 36035 Fulda, Germany  
 Phone: +49 661 6003-0  
 Fax: +49 661 6003-607  
 Email: mail@jumo.net  
 Internet: www.jumo.net

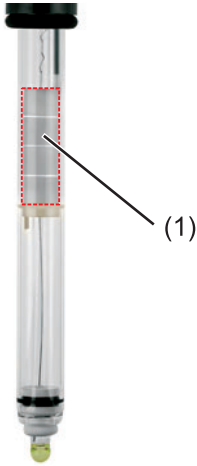
**JUMO Instrument Co. Ltd.**  
 JUMO House  
 Temple Bank, Riverway  
 Harlow, Essex CM 20 2DY, UK  
 Phone: +44 1279 63 55 33  
 Fax: +44 1279 62 50 29  
 Email: sales@jumo.co.uk  
 Internet: www.jumo.co.uk

**JUMO Process Control, Inc.**  
 6733 Myers Road  
 East Syracuse, NY 13057, USA  
 Phone: +1 315 437 5866  
 Fax: +1 315 437 5860  
 Email: info.us@jumo.net  
 Internet: www.jumousa.com



## Special design features

### Salt reserve



The electrode is equipped as standard with a salt reserve in the form of four salt rings (see illustration).<sup>a</sup>

This makes it particularly well suited for use in low-ion media or at high flow rates.

The salt reserve helps to improve the service life of the electrode.

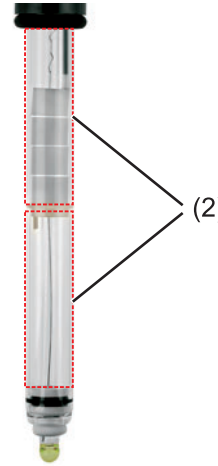
The rings are not a manufacturing defect (crystallization).

The „usage status“ of the electrode can be assessed by the reduction of the salt rings.

(1) Salt reserve

<sup>a</sup> KCl powder as a salt reserve on versions with a pinhole diaphragm

### Double chamber



If electrode poisons such as sulfides are present in the measurement medium, the extended diffusion path (due to the two consecutive chambers – double chamber system) and the double diaphragm separation prevent electrode poisoning.

(2) Double chamber

### JUMO digiLine electronics



The JUMO digiLine electronics are delivered screwed firmly to the combination electrode. They can continue to be used even when the sensor becomes worn.

The factory calibration and further sensor data are stored in the head. Additional information is available in data sheet 202705 and in system data sheet 203501.

**Extra code /960:** JUMO digiLine interface, bus-compatible (the transmission of measured values, calibration and configuration are all digital).

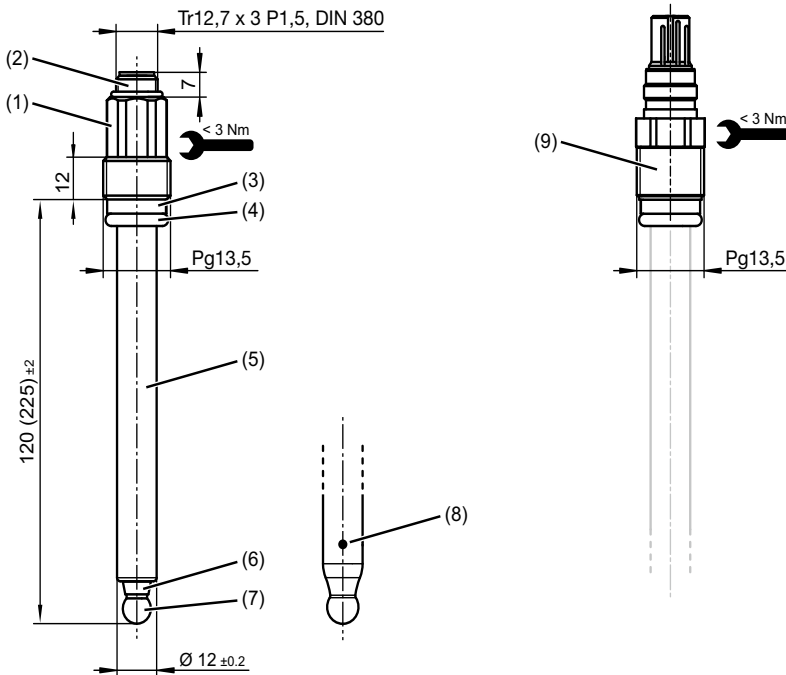
**Extra code /961:** with analog 4 to 20 mA output for integration into an existing infrastructure (the transmission of measured values is analog, calibration and configuration are performed via a digital interface). With additional digital input (e.g. hold function).

- (3) M12 plug connector
- (4) Screw connection
- (5) Combination electrode



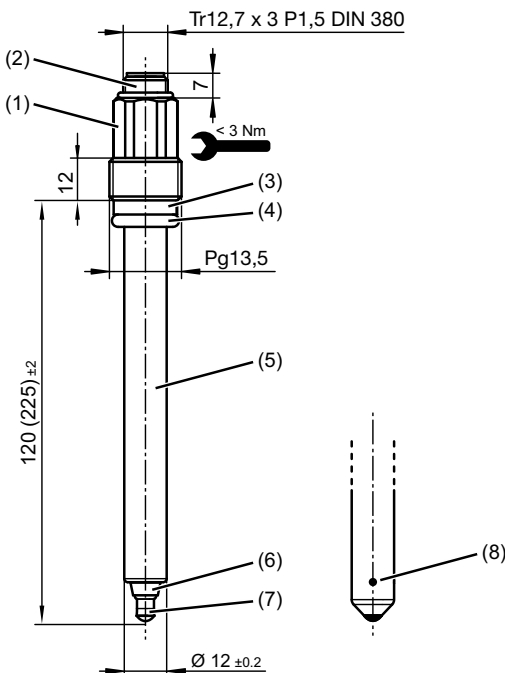
## Dimensions

### pH combination electrode type 201021/10...



- (1) N screw head (S8) Pg13.5 (PPS), max. tightening torque 3 Nm
- (2) Thread Tr12.7 × 3 P1.5
- (3) Ring (PEEK)
- (4) O-ring 10 × 3.5 (FPM70)
- (5) Electrode shaft (glass DIN 19263)
- (6) Ring diaphragm (PTFE)
- (7) Spherical membrane
- (8) Pinhole diaphragm
- (9) VarioPin (VP) plug head connection variant with rotatable union nut Pg13.5 (PBT), max. tightening torque 3 Nm

### Redox combination electrode type 201026/10...



- (1) N screw head (S8) Pg13.5 (PPS), max. tightening torque 3 Nm
- (2) Thread Tr12.7 × 3 P1.5
- (3) Ring (PEEK)
- (4) O-ring 10 × 3.5 (FPM70)
- (5) Electrode shaft (glass DIN 19263)
- (6) Ring diaphragm (PTFE)
- (7) Platinum or gold tip
- (8) Pinhole diaphragm

**JUMO GmbH & Co. KG**  
 Delivery address: Mackenrodtstraße 14  
 36039 Fulda, Germany  
 Postal address: 36035 Fulda, Germany  
 Phone: +49 661 6003-0  
 Fax: +49 661 6003-607  
 Email: mail@jumo.net  
 Internet: www.jumo.net

**JUMO Instrument Co. Ltd.**  
 JUMO House  
 Temple Bank, Riverway  
 Harlow, Essex CM 20 2DY, UK  
 Phone: +44 1279 63 55 33  
 Fax: +44 1279 62 50 29  
 Email: sales@jumo.co.uk  
 Internet: www.jumo.co.uk

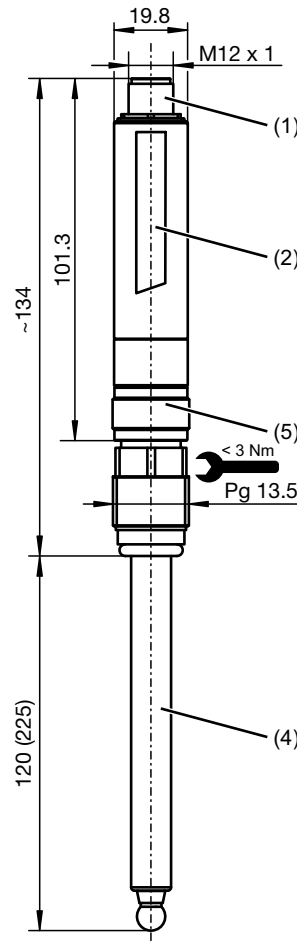
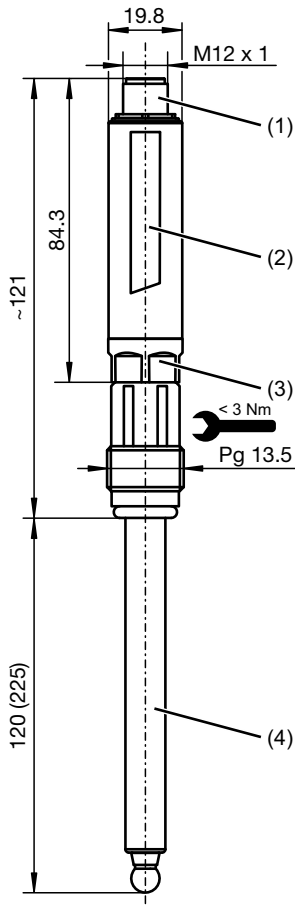
**JUMO Process Control, Inc.**  
 6733 Myers Road  
 East Syracuse, NY 13057, USA  
 Phone: +1 315 437 5866  
 Fax: +1 315 437 5860  
 Email: info.us@jumo.net  
 Internet: www.jumousa.com



## Combination electrode with reusable JUMO digiLine electronics

JUMO digiLine electronics with N connection

JUMO digiLine electronics with VarioPin connection



- (1) M12 plug connector, 5 or 8-pole (see order details)
- (2) JUMO digiLine electronics
- (3) N connection (screw head S8) for JUMO digiLine electronics
- (4) pH or redox electrode with N connection
- (5) VarioPin connection<sup>a</sup> (plug head) for JUMO digiLine electronics

<sup>a</sup> Only for type 201021/...

**JUMO GmbH & Co. KG**

Delivery address: Mackenrodtstraße 14  
36039 Fulda, Germany  
Postal address: 36035 Fulda, Germany  
Phone: +49 661 6003-0  
Fax: +49 661 6003-607  
Email: mail@jumo.net  
Internet: www.jumo.net

**JUMO Instrument Co. Ltd.**

JUMO House  
Temple Bank, Riverway  
Harlow, Essex CM 20 2DY, UK  
Phone: +44 1279 63 55 33  
Fax: +44 1279 62 50 29  
Email: sales@jumo.co.uk  
Internet: www.jumo.co.uk

**JUMO Process Control, Inc.**

6733 Myers Road  
East Syracuse, NY 13057, USA  
Phone: +1 315 437 5866  
Fax: +1 315 437 5860  
Email: info.us@jumo.net  
Internet: www.jumousa.com



## Order details type 201021

<b>(1) Basic type</b>	
201021/10	JUMO tecLine HD pH — pH combination electrode in glass shaft version, solid gel, double chamber, salt reserve, 13 bar
<b>(2) Active pH component</b>	
12	HT glass
<b>(3) Diaphragm</b>	
04	PTFE ring
11	Pinhole diaphragm
<b>(4) Electrical connection</b>	
18	VarioPin (VP) plug head Pg13.5
82	N screw head (S8) Pg13.5, material PPS
<b>(5) Insertion length</b>	
120	120 mm (standard)
225	225 mm
<b>(6) Extra code</b>	
000	none
841	Integrated Pt1000
960	With JUMO digiLine electronics, 5-pin M12 plug connector (digital interface output)
961	With JUMO digiLine electronics, 8-pin M 12 plug connector (4 to 20 mA output and digital programming interface)

<b>Order code</b>	(1)	-	(2)	-	(3)	-	(4)	-	(5)	/	(6)
<b>Order example</b>	201021/10	-	12	-	04	-	82	-	120	/	000

**Important information:**

The order code is not modular. When placing orders, if possible please select the items listed under "**Stock versions**" or "**Production versions**".  
**We must check the technical feasibility of and approve freely chosen combinations of individual code parts.**

**JUMO GmbH & Co. KG**  
 Delivery address: Mackenrodtstraße 14  
 36039 Fulda, Germany  
 Postal address: 36035 Fulda, Germany  
 Phone: +49 661 6003-0  
 Fax: +49 661 6003-607  
 Email: mail@jumo.net  
 Internet: www.jumo.net

**JUMO Instrument Co. Ltd.**  
 JUMO House  
 Temple Bank, Riverway  
 Harlow, Essex CM 20 2DY, UK  
 Phone: +44 1279 63 55 33  
 Fax: +44 1279 62 50 29  
 Email: sales@jumo.co.uk  
 Internet: www.jumo.co.uk

**JUMO Process Control, Inc.**  
 6733 Myers Road  
 East Syracuse, NY 13057, USA  
 Phone: +1 315 437 5866  
 Fax: +1 315 437 5860  
 Email: info.us@jumo.net  
 Internet: www.jumousa.com



## Order details type 201026

<b>(1) Basic type</b>	
201026/10	JUMO tecLINE HD Rd — Rd combination electrode in glass shaft version, Solid gel, double chamber, salt reserve, 13 bar
<b>(2) Active pH component</b>	
22	Pt (platinum) tip
32	Au (gold) tip
<b>(3) Diaphragm</b>	
04	PTFE ring
11	Pinhole diaphragm
<b>(4) Electrical connection</b>	
82	N screw head (S8) Pg13.5, material PPS
<b>(5) Insertion length</b>	
120	120 mm (standard)
225	225 mm
<b>(6) Extra code</b>	
000	none
960	With JUMO digiLine electronics, 5-pin M12 plug connector (digital interface output)
961	With JUMO digiLine electronics, 8-pin M 12 plug connector (4 to 20 mA output and digital programming interface)

<b>Order code</b>	(1)	-	(2)	-	(3)	-	(4)	-	(5)	/	(6)
<b>Order example</b>	201026/10	-	22	-	04	-	82	-	120	/	000

### Important information:

The order code is not modular. When placing orders, if possible please select the items listed under "**Stock versions**" or "**Production versions**".  
**We must check the technical feasibility of and approve freely chosen combinations of individual code parts.**

**JUMO GmbH & Co. KG**  
 Delivery address: Mackenrodtstraße 14  
 36039 Fulda, Germany  
 Postal address: 36035 Fulda, Germany  
 Phone: +49 661 6003-0  
 Fax: +49 661 6003-607  
 Email: mail@jumo.net  
 Internet: www.jumo.net

**JUMO Instrument Co. Ltd.**  
 JUMO House  
 Temple Bank, Riverway  
 Harlow, Essex CM 20 2DY, UK  
 Phone: +44 1279 63 55 33  
 Fax: +44 1279 62 50 29  
 Email: sales@jumo.co.uk  
 Internet: www.jumo.co.uk

**JUMO Process Control, Inc.**  
 6733 Myers Road  
 East Syracuse, NY 13057, USA  
 Phone: +1 315 437 5866  
 Fax: +1 315 437 5860  
 Email: info.us@jumo.net  
 Internet: www.jumousa.com



## Scope of delivery

1 electrode in the ordered version
1 quality certificate for the electrode
1 operating manual 202900.0 for electrodes

For extra codes /960 and /961 (JUMO digiLine electronics) also:

Combination electrode screwed firmly, sealed and pre-calibrated to the JUMO digiLine electronics
1 calibration certificate for JUMO digiLine electronics
1 JUMO digiLine installation instructions

## Stock versions

(Delivery within 3 working days after receipt of order)

Type	Part no.
201021/10-12-04-82-120/000 (HT glass, PTFE diaphragm, N screw head, 120 mm)	00621059
201021/10-12-04-18-120/841 (HT glass, PTFE diaphragm, VarioPin plug head, 120 mm, Pt1000)	00621070
201021/10-12-11-82-120/000 (HT glass, pinhole diaphragm, N screw head, 120 mm)	00643604
201021/10-12-11-18-120/841 (HT glass, pinhole diaphragm, VarioPin plug head, 120 mm, Pt1000)	00648964
201021/10-12-11-18-225/841 (HT glass, pinhole diaphragm, VarioPin plug head, 225 mm, Pt1000)	00648965
201026/10-22-04-82-120/000 (platinum tip, PTFE diaphragm, N screw head, 120 mm)	00625340
201026/10-22-11-82-120/000 (platinum tip, pinhole diaphragm, N screw head, 120 mm)	00648967
201026/10-32-11-82-120/000 (gold tip, pinhole diaphragm, N screw head, 120 mm)	00648968

## Accessories

Cables

Item	Part no.
Cable for sensors with N screw head (S8) Pg13.5: 202990/02-92-x-13	See data sheet
Cable for sensors with VarioPin (VP) plug head: 202990/11-95-x-11	202990

Solutions

Item	Part no.
pH buffer solutions	See data sheet
Redox reference solution	202950
Electrode cleanser	

JUMO digiLine electronics (for retrofitting a combination electrode with digiLine functionality or as a replacement)

Item	Part no.
202705/10-90-530/000 (pH, VarioPin plug head, digital interface output)	00652273
202705/10-90-888/000 (pH, VarioPin plug head, 4 to 20 mA output)	00652277
202705/10-86-530/000 (pH, N screw head, digital interface output)	00652283
202705/10-86-888/000 (pH, N screw head, 4 to 20 mA output)	00652284
202705/20-90-530/000 (redox, VarioPin plug head, digital interface output)	00652285
202705/20-90-888/000 (redox, VarioPin plug head, 4 to 20 mA output)	00652286

more JUMO digiLine system components

Item	Part no.
JUMO DSM software (digital sensor management), base version (measuring, sensor information, configuration, calibration), for free download from the internet (product page JUMO tecLine HD ⇒ Software)	
JUMO DSM software (digital sensor management), activation of the „data management“ module	00655587
USB-RS485 interface	00638346
JUMO digiLine system data sheet 203501	



**JUMO GmbH & Co. KG**  
 Delivery address: Mackenrodtstraße 14  
 36039 Fulda, Germany  
 Postal address: 36035 Fulda, Germany  
 Phone: +49 661 6003-0  
 Fax: +49 661 6003-607  
 Email: mail@jumo.net  
 Internet: www.jumo.net

**JUMO Instrument Co. Ltd.**  
 JUMO House  
 Temple Bank, Riverway  
 Harlow, Essex CM 20 2DY, UK  
 Phone: +44 1279 63 55 33  
 Fax: +44 1279 62 50 29  
 Email: sales@jumo.co.uk  
 Internet: www.jumo.co.uk

**JUMO Process Control, Inc.**  
 6733 Myers Road  
 East Syracuse, NY 13057, USA  
 Phone: +1 315 437 5866  
 Fax: +1 315 437 5860  
 Email: info.us@jumo.net  
 Internet: www.jumousa.com



## Elektrode holder

Electrode holders can be used to install **electrodes with a PTFE membrane** and a length of **120 mm** (types 20102x/xx-xx-04-xx-120/xxx) in tanks or pipelines with 3/4-14 NPT threaded connections.

Item	Part no.
Stainless steel electrode holder	00674618
PEEK electrode holder	00674617
PPS electrode holder	00674620
PP electrode holder	00674619
PVDF electrode holder (Fig.)	00673945

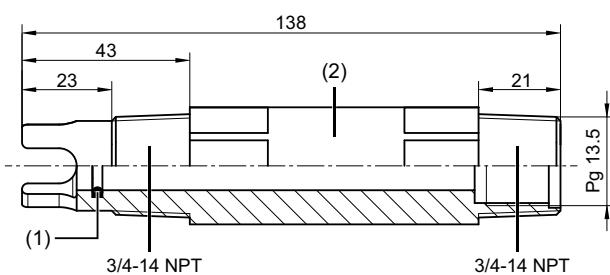


## Process conditions

When using the electrodes in conjunction with the electrode holders, the following pressure/temperature limits must be observed:

Electrode holders made of stainless steel, PEEK, PPS	Electrode holder made of PP	Electrode holder made of PVDF
0 °C (13 bar); 135 °C (13 bar)	0 °C (10 bar); 50 °C (10 bar); 80 °C (8 bar)	0 °C (10 bar); 50 °C (10 bar); 80 °C (8 bar); 135 °C (2 bar)

## Dimensions



- (1) O-ring (material: FKM)
- (2) Electrode holder (material: stainless steel or PEEK or PPS or PP or PVDF)