

JUMO GmbH & Co. KG

Delivery address: Mackenrodtstraße 14
 36039 Fulda, Germany
 Postal address: 36035 Fulda, Germany
 Phone: +49 661 6003-0
 Fax: +49 661 6003-607
 Email: mail@jumo.net
 Internet: www.jumo.net

JUMO Korea Co.,Ltd

A706 Acrotower,230 ,Simin daero,Dongan-gu
 Anyang-si,Gyeonggi-do
 Phone:+82 31 689 3345
 Fax:+82 70 4324 6733
 Email:sales@jumo.kr
 Internet:www.jumo.kr



JUMO tecLine pH

pH combination electrodes in plastic shaft HF versions

For Semiconductor industry ,water and process measurement technology

Brief description

JUMO tecLine electrodes are high-quality sensors for professional applications in process and industrial measurement technology. These electrodes are known for their use of top-quality materials and components. They are designed as combined electrodes (the glass or metal electrode and the reference electrode are combined in one shaft).

JUMO tecLine sensors are state-of-the-art for modern pH and redox electrodes. Each electrode is a quality product and is individually tested as a matter of routine. Modern production facilities ensure consistent characteristics.

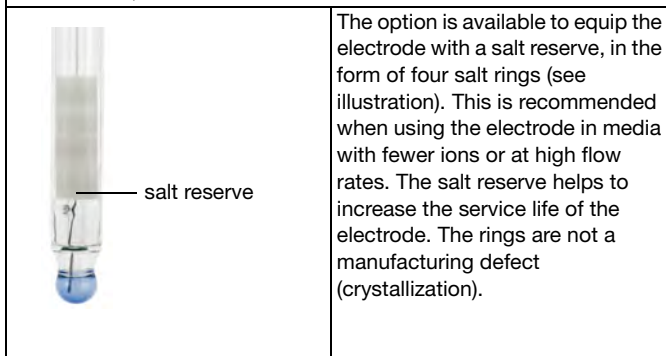
Typical areas of application

- Semiconductor industry
- Media containing fluoride(hydrofluoric acid) up to 1000mg/l HF

Key features

- Dirt-repellent PTFE ring diaphragm with highly viscous KCL solution(gel)
- Cartridge-style conduction system with a reference electrolyte (free from silver ions)
- Pressure-resistant versions up to 2 bar absolute
- Temperature range: -5 to +50 °C
- With doubled reinforced cone membrane
- Salt reserve

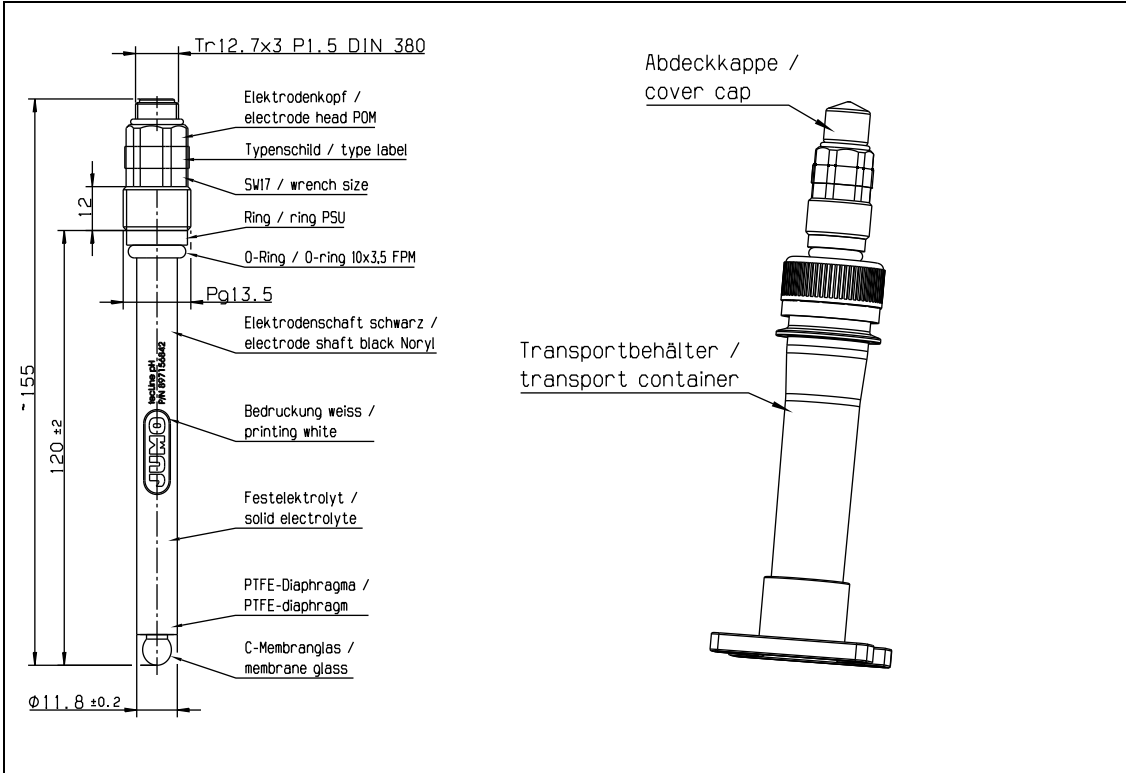
Salt reserve, extra code 837



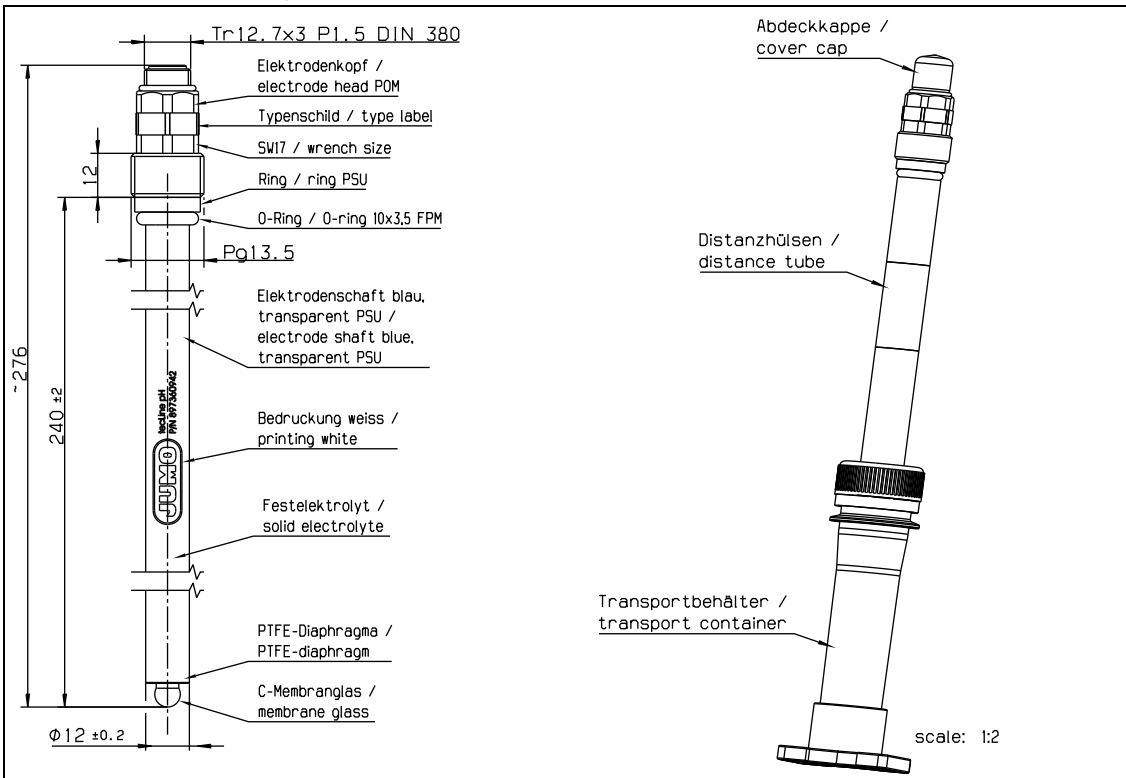


Dimensions

Type 201020/77 length 120mm



Type 201020/77 special length 240mm



JUMO GmbH & Co. KG

Delivery address: Mackenrodtstraße 14
36039 Fulda, Germany
Postal address: 36035 Fulda, Germany
Phone: +49 661 6003-0
Fax: +49 661 6003-607
Email: mail@jumo.net
Internet: www.jumo.net

JUMO Korea Co.,Ltd

A706 Acrotower,230 ,Simin daero,Dongan-gu
Anyang-si,Gyeonggi-do,14067
Republic of Korea
Phone:+82 31 689 3345
Fax:+82 70 4324 6733
Email:sales@jumo.kr
Internet:www.jumo.kr

**pH stock versions**

(delivery 3 working days after receipt of order)

Type	Brief description	Part no.
201020/77 length 120mm	Plastic shaft, C glass ,pH 0-12,fluoride-resistant, PTFE diaphragm, Pg13.5 screw head,120mm, Salt reserve	897156842
201020/77 Special length 240mm	Plastic shaft, C glass ,pH 0-12,fluoride-resistant, PTFE diaphragm, Pg13.5 screw head,240mm, Salt reserve	897360942