



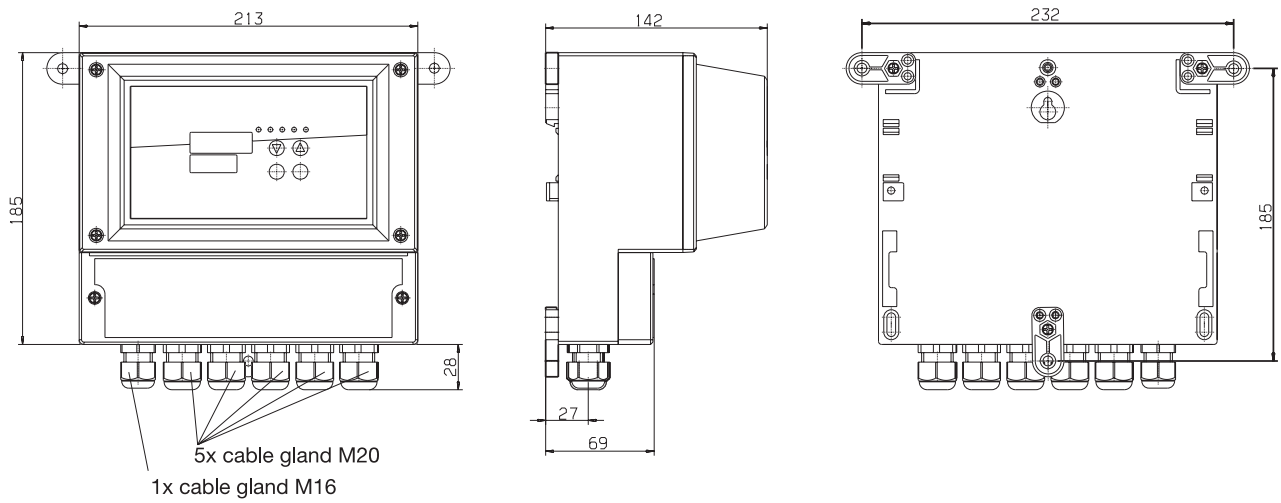
**Wall-mounting
Housing
extra code / 640
for Type 202540
Type 202545**

**B 20.2540.0.2
Operating Manual**

08.04/00437416

Mounting and electrical connection

Dimensions

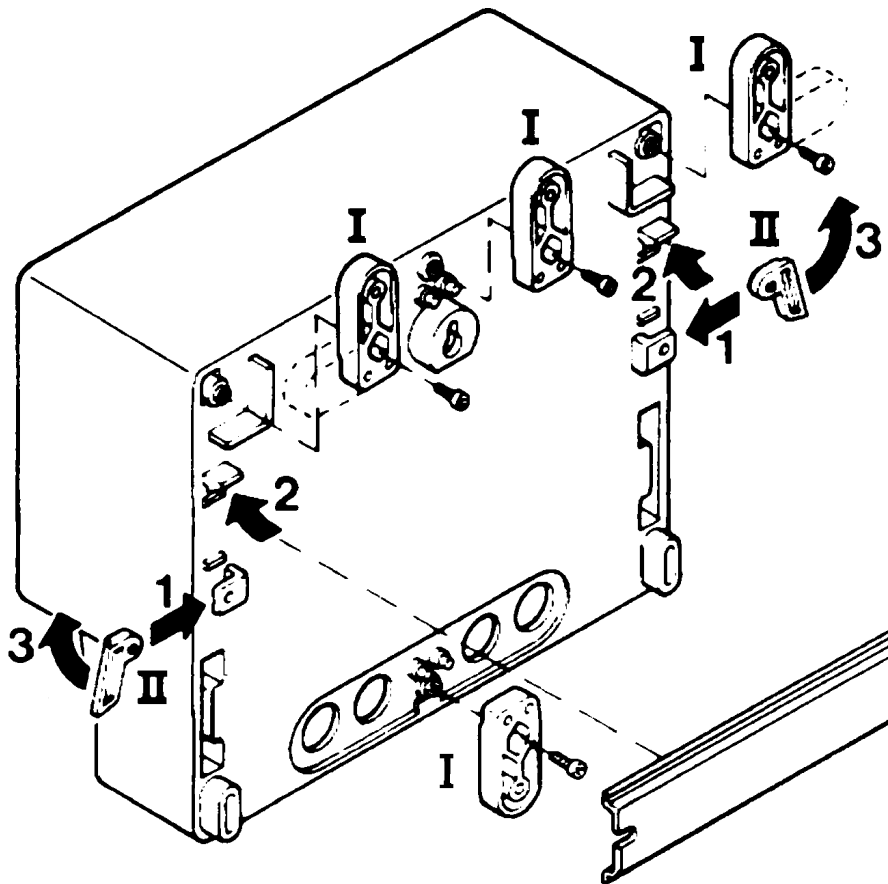


Mounting options

The housing is suitable both for wall-mounting (I) and mounting on a DIN rail (II) as per EN 50 022 (35 x 7.5 mm).

For mounting on a DIN rail, plastic brackets are supplied with the housing.

Note: Only use original parts (I / II) for mounting!



Mounting and electrical connection

Electrical connection



It is essential to observe the safety notes in the corresponding Operating Manuals B 20.2540.0.1 / B 20.2545.0.1 Chapter 7.1 “Electrical connection”.

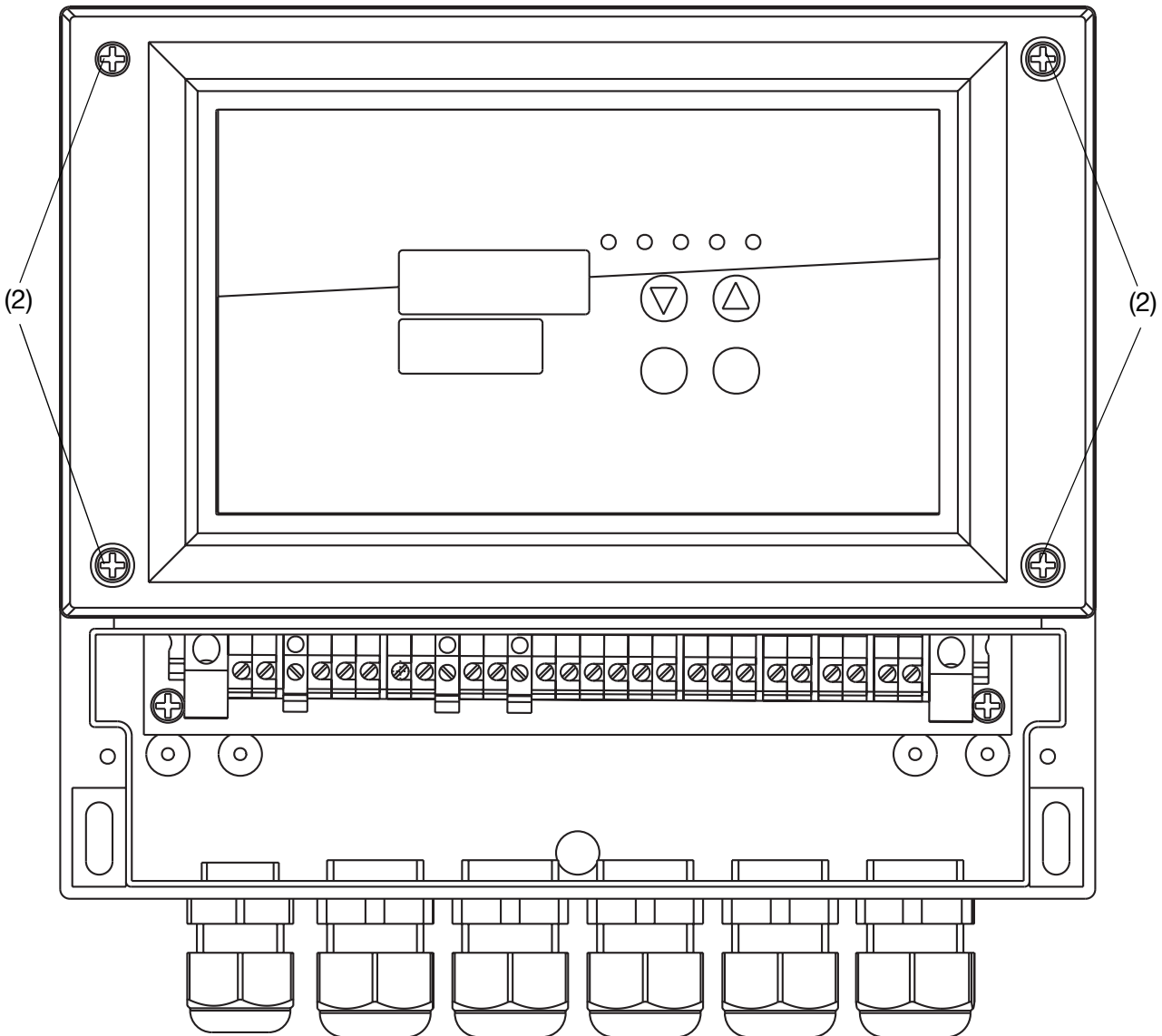


Only unscrew the bottom cover of the housing!

If you remove the screws (2), you will endanger your rights under the instrument warranty!

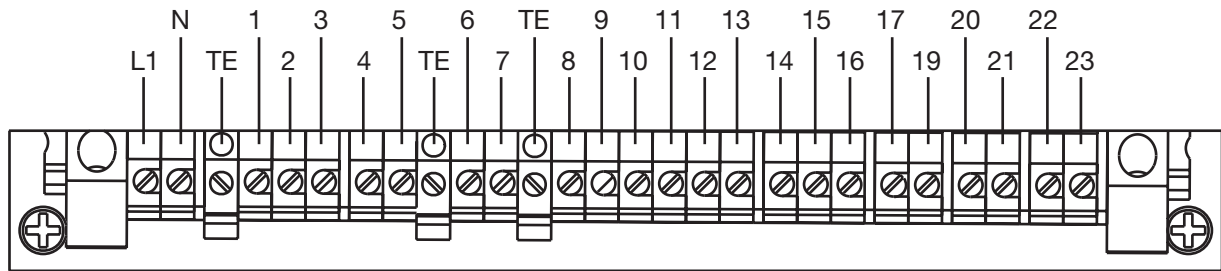
* Only unscrew the bottom cover of the housing.

The electrical connection is made at the terminal strip located underneath.



Mounting and electrical connection

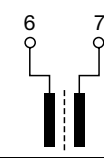
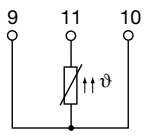
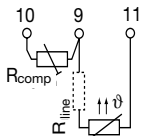
Terminal assignment

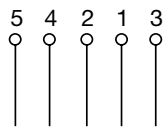
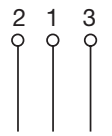
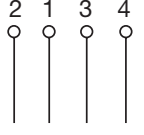
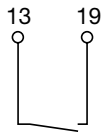
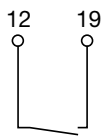
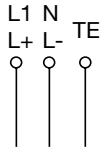


Terminals

Outputs	K	Terminals	Symbol
Relay 1 (K1) Status indication LED K1	1	23 common 22 make	
Relay 2 (K2) Status indication LED K2	2	21 common 20 make	
Relay 3 (K3) Status indication LED K3 or process value output	3	16 break 15 common 14 make	
		15 - 14 +	
Logic output 1 (K4) Status indication LED K4	4	19 - 17 +	
Relay 4 (K5) no status indication or process value output	5	3 break 2 common 1 make	
		1 + 2 -	


Mounting and electrical connection

Measurement inputs		Terminals	Symbol
Conductivity cell	6	outer electrode	
	7	inner electrode	
Resistance thermo- meter in 3-wire circuit	9		
	10		
	11		
Resistance thermo- meter in 2-wire circuit	9		
	10		
	11		

Inputs/outputs		Terminals	Symbol	
Serial interface RS422 (option)	RxD	5 RxD + receive data 4 RxD -		
	TxD	2 TxD + transmit data 1 TxD -		
	GND	3 GND		
Serial interface RS485 (option)	+	2 TxD/RxD +		
	-	1 TxD/RxD -		
Serial interface Profibus-DP (option)	VP	4 supply voltage, positive, (P5V)		
	RxD/TxD-P	2 receive/transmit data, positive, B cable		
	RxD/TxD-N	1 receive/transmit data, negative, A cable		
	DGND	3 ground for data transmission		
Logic input 1		13 19		
Logic input 2		12 19		
Supply voltage see nameplate	AC/ DC	AC: L1 phase/line N neutral TE technical earth	DC: L + L -	

Mounting and electrical connection

Connection of a conductivity cell

	JUMO conductivity cell		Type 202540 Type 202545
	Cap	Fixed cable	
Outer electrode		white	6
Inner electrode	2	brown	7
Temperature compensation	1	yellow	9
	3	green	11
Link			10 + 9